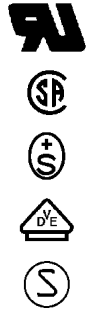


Actual information about approvals can be found on
<http://www.schurter.com/approvals>



C14



70° C

Description

- Panel mount:
Screw-on version from front or rear side, snap-in version from front side
- 2 Functions:
Connector Protection class I, Line switch 1-pole
- Quick connect terminals 4.8 x 0.8 mm
- Alternative: version with line filter [KFB1](#)
- We recommend for new applications type [DC11](#)

Characteristics

- All single elements are already wired
Unwired versions available on request
- Line switch non-illuminated or illuminated

Other versions on request:

- unwired versions
- line switch with other rocker marking
- for protection class II

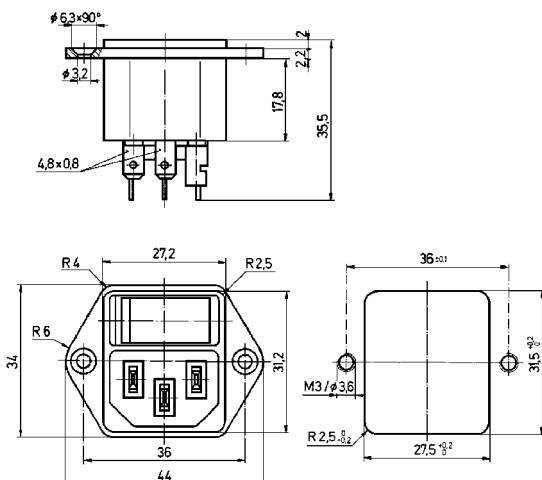
Technical data

Ratings IEC	10 A / 250 VAC; 50 Hz
Ratings UL/CSA	10 A / 125 VAC; 60 Hz
Dielectric strength	> 3 kVAC between L-N > 4 kVAC between L/N-PE (1 min/50 Hz)
Allowable operation temp.	-25 °C to 70 °C
Degree of protection	from front side IP40 acc. to IEC 60529
Protection class	Suitable for appliances with protection class I acc. to IEC 61140
Terminals	Quick connect terminals 4.8 x 0.8 mm
Panel thickness s	Screw-on: max 6 mm Mounting screw torque max 0.5 Nm Snap-in: 1.5/2/2.5 mm
Materials: Housing	Thermoplastic, black, UL 94V-0

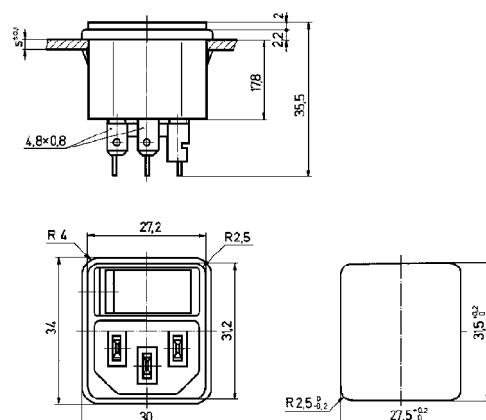
Appliance-inlet /-outlet	C14 acc. to IEC/EN 60320-1, UL 498, CSA C22.2 no. 42 (for cold condition) pin-temperature 70 °C, 10 A, Protection class I
Line switch	Rocker switch 1-pole, non-illuminated or illuminated red, acc. to IEC 61058-1 Technical details GENERAL PRODUCT INFORMATION

Dimensions

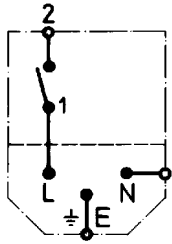
Screw-on mounting



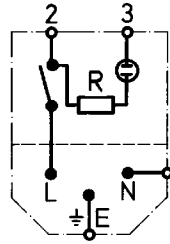
Snap-in mounting



Diagrams



non-illuminated



illuminated

Variants

with internal connections

Order Number	Panel mounting	Panel thickness s [mm]	Illumination	Color	Rated voltage 250 [V]	Rated voltage 125 [V]
4302.0002	Snap-in	1.5				
4302.0003	Snap-in	2				
4302.0004	Snap-in	2.5				
4302.0122	Snap-in	1.5	●	red		125
4302.0123	Snap-in	2	●	red		125
4302.0124	Snap-in	2.5	●	red		125
4302.0102	Snap-in	1.5	●	red	250	
4302.0103	Snap-in	2	●	red	250	
4302.0104	Snap-in	2.5	●	red	250	
4302.0001	Screw-on					
4302.0121	Screw-on		●	red		125
4302.0101	Screw-on		●	red	250	

Packaging unit

50 Pcs

Accessories

ACCESSORIES