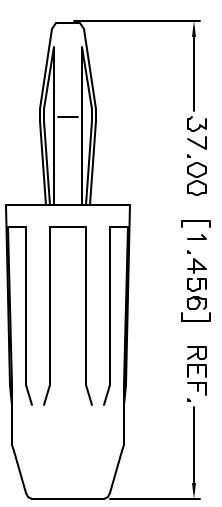
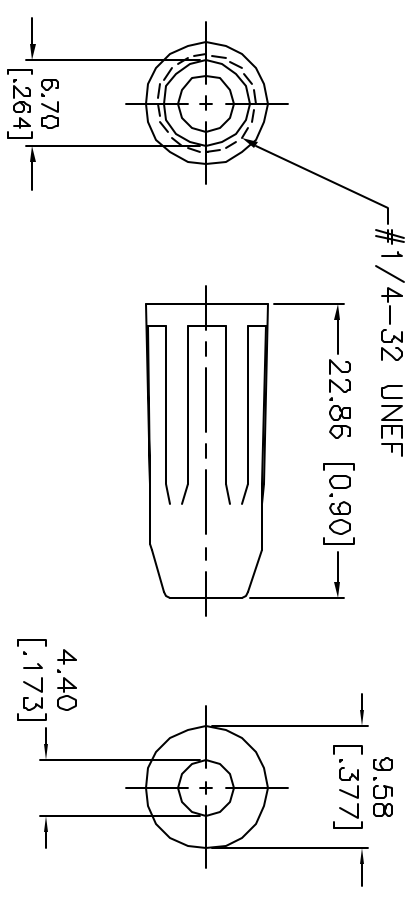
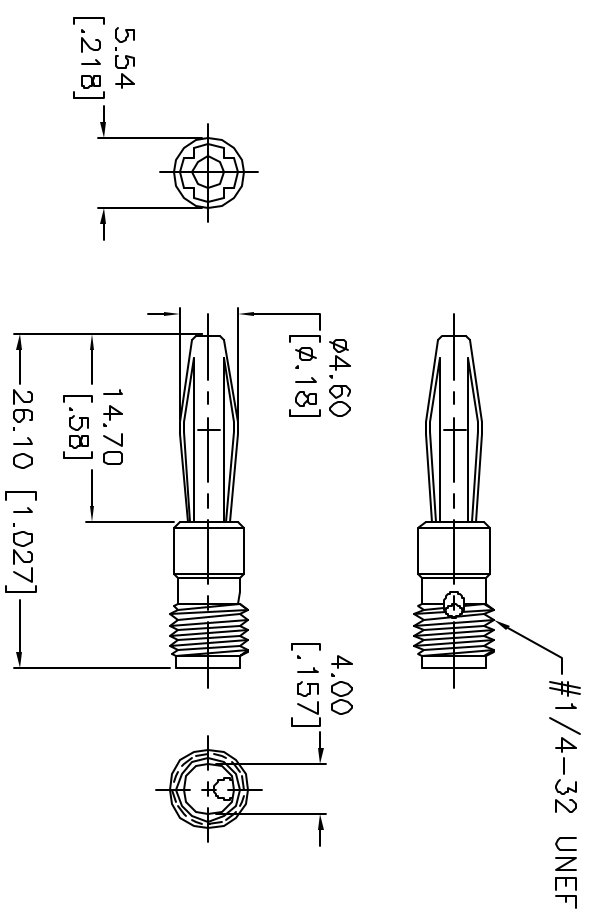


ALL RIGHTS RESERVED. NO PORTION OF THIS PUBLICATION, WHETHER IN WHOLE OR IN PART CAN BE REPRODUCED WITHOUT THE EXPRESS WRITTEN CONSENT OF SPC TECHNOLOGY.

REVISIONS			DOC. NO.	SPC-F005	Effective:	12/21/98	DCP No.	860
DCP #	REV	DESCRIPTION	DRAWN	DATE	CHECKD	DATE	APPRVD	DATE
	B	Revised & Redrawn		1/12/93			JL	
522	C	Redrawn from vendor file	JWM	12/30/98	JC	1/13/99		



ASSEMBLY

- Material:
1. Body: Brass, Nickel-Plated
  2. Banana Plug: Phosphor Bronze, Nickel-Plated
  3. Handle: ABS - White

**DISCLAIMER**  
 ALL STATEMENTS AND TECHNICAL INFORMATION CONTAINED HEREIN ARE BASED UPON INFORMATION AND/OR TESTS WE BELIEVE TO BE ACCURATE AND RELIABLE. SINCE CONDITIONS OF USE ARE BEYOND OUR CONTROL, THE USER SHALL DETERMINE THE SUITABILITY OF THE PRODUCT FOR THE INTENDED USE AND ASSUME ALL RISK AND LIABILITY WHATSOEVER IN CONNECTION THEREWITH.



DRAWING TITLE:		Solderless Banana Plug - White	
DRAWN BY:	DATE:	SIZE	DWG. NO.
JP	1/12/93	A	860-W
CHECKED BY:	DATE:	ELECTRONIC FILE	REV
JC	1/14/93	81N1187.dwg	C
APPROVED BY:	DATE:	SCALE:	NTS
JL	1/19/93	U.O.M.: Millimeters [Inches]	SHEET: 1 OF 1

Tolerances Unless Otherwise Specified:  
 .X=±0.2 [.008]  
 XX=±0.12 [.005]