

PART NUMBER	CURRENT max A	WIRE AREA		$\phi A$ <sup>+0.10</sup> <sub>-0</sub>	$\phi B$ <sup>+0.10</sup>	COLOUR CLIP
		AWG	mm <sup>2</sup>			
8638-PSS-4005	40	8	Section 8.98 mm <sup>2</sup> $\phi$ Ame 3.90 mm	4.40	5.50	blue
8638-PSS-2005	20	12	Section 3.18 mm <sup>2</sup> $\phi$ Ame 2.40 mm	2.80	3.65	red
8638-PSS-1005	10	16	Section 1.34 mm <sup>2</sup> $\phi$ Ame 1.50 mm	1.70	2.60	black

**Materials and finish**

contact: CuZn40 Pb3 1 $\mu$ Ni+gold  
Solder buckets: CuZn36Pb3 2 $\mu$ Ni+2 $\mu$ SnPb mini

Clip : plastic

**Technical characteristics**

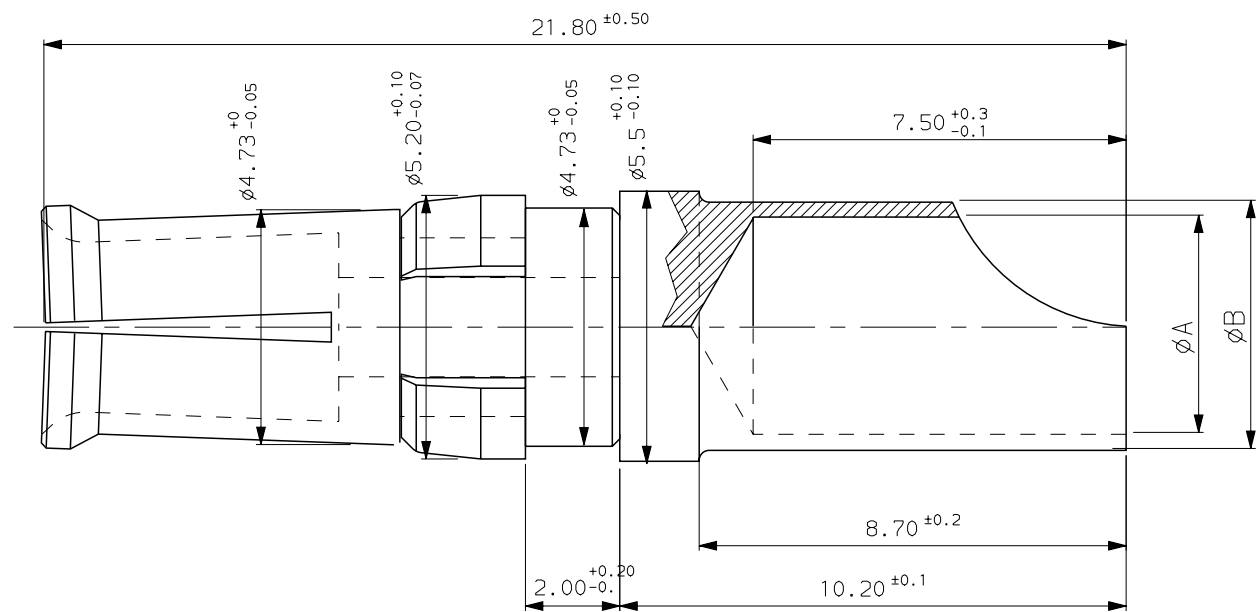
Peak voltage: 750Veff.  
Operating voltage: 500Veff.  
Temperature range: -55°C  $\ddagger$ 125°C  
Packaging per 100  
Current capability see table



**Mechanical characteristics:**

Mechanical endurance : > 200 matings/unmatings .  
Contact insertion force in insulator:  
60N maxi in a hole of 4.80mm

**Examination of product:**

Remove all burns and sharp edges 0.08 maxi  
No scratch on all pieces



d	17/04/03	removal parts number	-----	--
ISS	DATE	Latest modification by :	BART.5	MOD N°
Designed by: JARRY		date: 13/12/94	Type of drawing: CLIENT	
TITLE : FEMALE CONTACT FOR SOLDER CONNECTION				SHEET 1/1
SCALE: 10.0				
		<b>FRAMATOME CONNECTORS FRANCE</b> Rue Louis Breguet - BP 05 72024 LE MANS Cedex Tel. 33 (16) 43.84.08.43		This document is the property of FRAMATOME CONNECTORS FRANCE It must not be reproduced or communicated without permission in writing from the owners
FORMAT	A3	SOURIAU DRG N°	C01-8638-0335-1	PROJECT
				M94D001