

EPIC® Rectangular Connectors

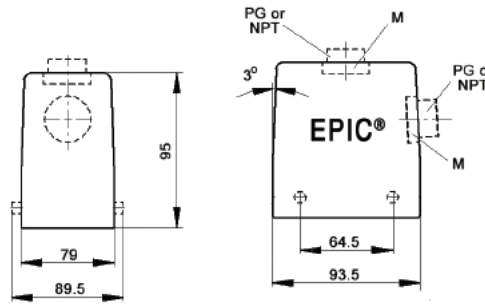


HBE 32 Housings: Double Levers on Base

TOP ENTRY



HOODS



All dimensions are in mm.

SIDE ENTRY

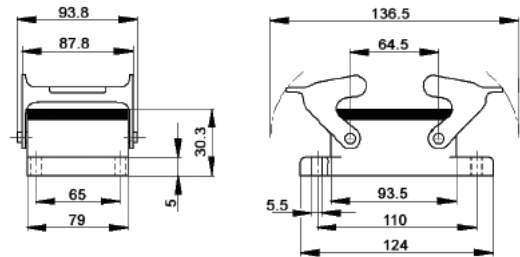
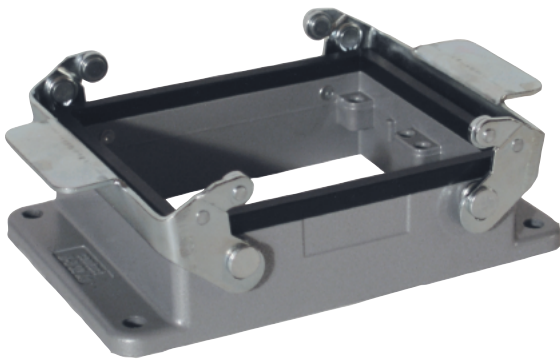


Specifications: DIN 43652
Temperature Range: -40°C to +125°C
Protection class: NEMA 4, NEMA 12, IP65
Material: Aluminum alloy, powder coated

Position of Cable Entry	Size of Entry			Part Numbers			Complete your installation with a SKINTOP®, Pg 352			
	PG	NPT	Metric	PG	NPT	Metric	PG- Nylon	PG- Metal	Metric- Nylon	Metric- Metal
Top Entry	21	3/4"	-	10133000	101330NP	-	53015150	52015750	-	-
	29	1"	32	10134000	101340NP	19134000	53015160	52015760	53111040	53111040
	-	-	40	-	-	19134400	-	-	53111050	53112050
Side Entry	21	3/4"	25	10135000	101350NP	19135000	53015150	52015750	-	-
	29	1"	32	10136000	101360NP	19136000	53015160	52015760	53111040	53111040
	-	-	40	-	-	19136200	-	-	53111050	53112050

Metric hoods do not come with a neck.

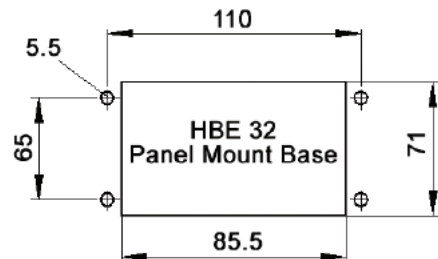
PANEL MOUNT BASES



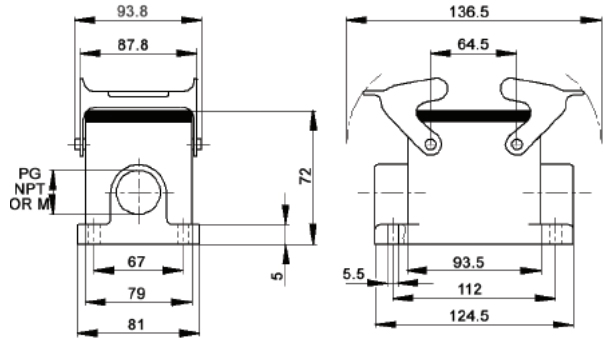
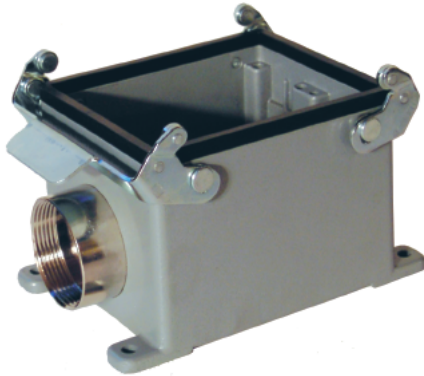
Description	Part Numbers
Panel Mount without Dust Cover	101320C0

Dust cover with double lever bolts and attachment string: 101420KIT

All dimensions are in mm.



SURFACE MOUNT BASES



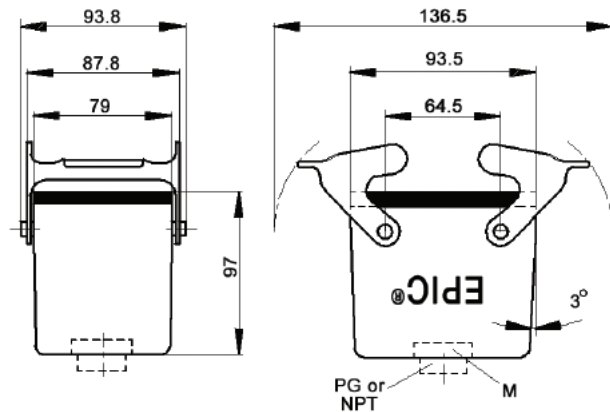
All dimensions are in mm.

Specifications: DIN 43652
Temperature Range: -40°C to +125°C
Protection class: NEMA 4, NEMA 12, IP65
Material: Aluminum alloy, powder coated

# of Entries	Size of Entry			Part Numbers			Complete your installation with a SKINTOP®, Pg 352			
	PG	NPT	Metric	PG	NPT	Metric	PG- Nylon	PG- Metal	Metric- Nylon	Metric- Metal
2 Entries	29	1"	32	101380C0	101380NP	19138000	53015160	52015760	53111040	53112040
1 Entry	29	1"	32	101370C0	101370NP	19137000	53015160	52015760	53111040	53112040

Dust cover with double lever bolts and attachment string: 101420KIT

CABLE COUPLER HOODS



Specifications: DIN 43652
Temperature Range: -40°C to +125°C
Protection class: NEMA 4, NEMA 12, IP65
Material: Aluminum alloy, powder coated

Size of Entry			Part Numbers			Complete your installation with a SKINTOP®, Pg 352			
PG	NPT	Metric	PG	NPT	Metric	PG- Nylon	PG- Metal	Metric- Nylon	Metric- Metal
21	3/4"	-	101390C0	101390NP	-	53015150	52015750	-	-
29	1"	32	101395C0	101395NP	19139500	53015160	52015760	53111040	53112040

Dust cover with double lever bolts and attachment string: 101420KIT