

SERIES 95C

6mm Square, Non-washable



FEATURES

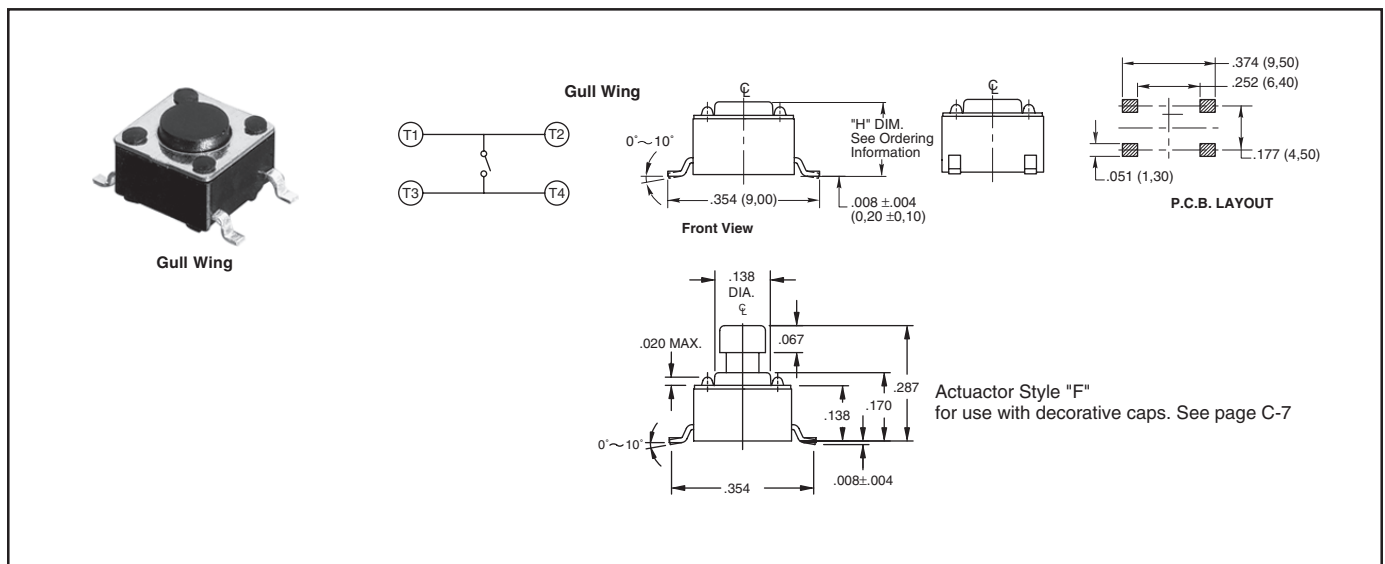
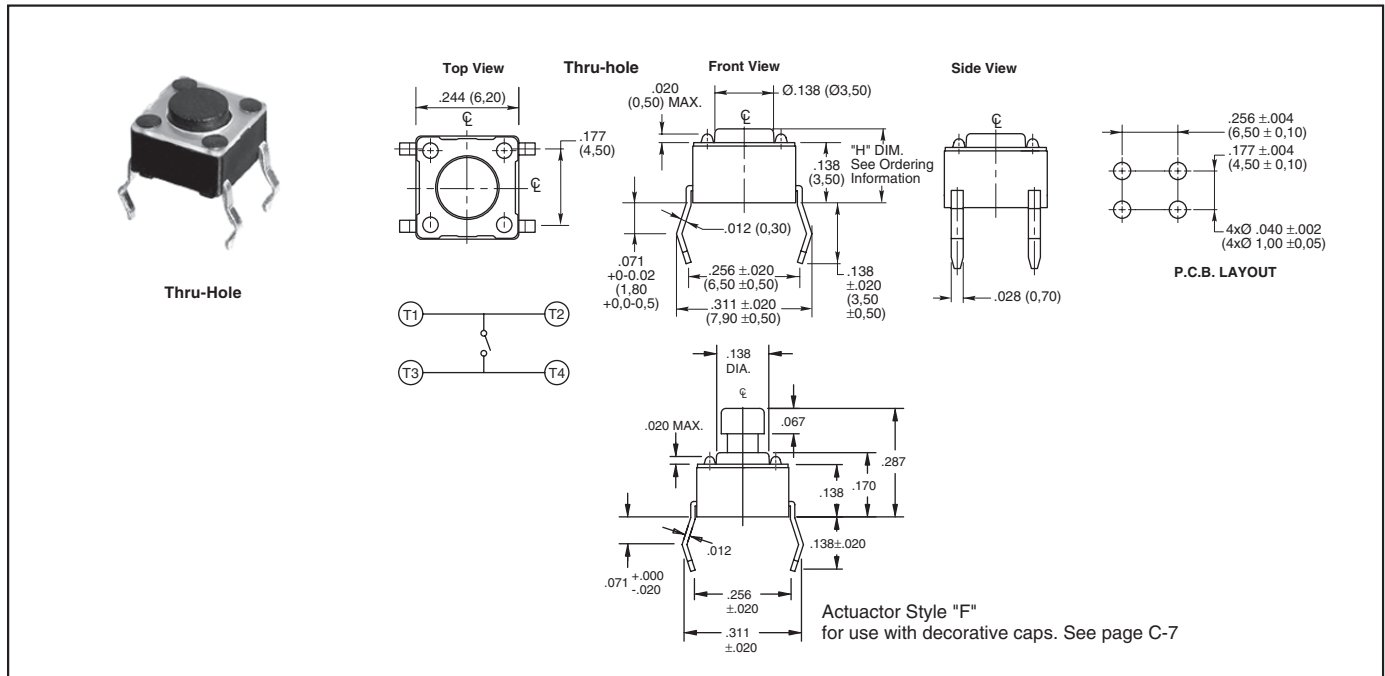
- Excellent Tactile Feedback
- Thru-hole, Gull Wings, and Right Angle Versions
- Surface Mount Versions Compatible with SMT Assembly Including Infrared and Vapor Phase
- Ultraminiature and Lightweight Structure Suitable for High Density Mounting
- Insert Molded Terminals to Prevent Flux Build-up During Soldering

APPLICATIONS

Used in applications such as consumer electronics, audio equipment, PCs, VCRs, cable boxes, modems, communications equipment, controls, security and alarm equipment, and test and measurement equipment.

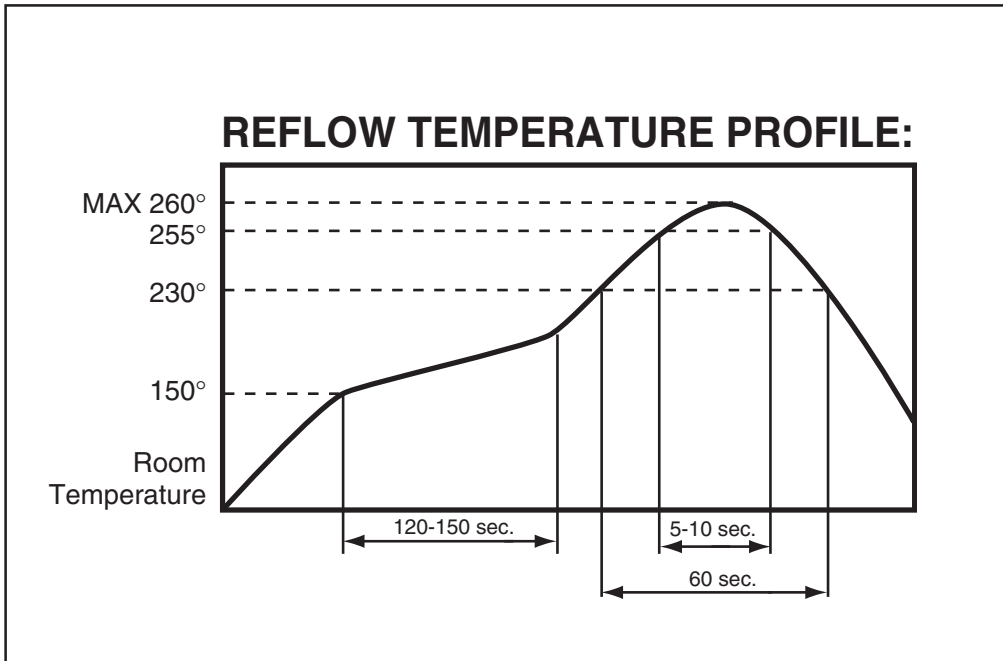
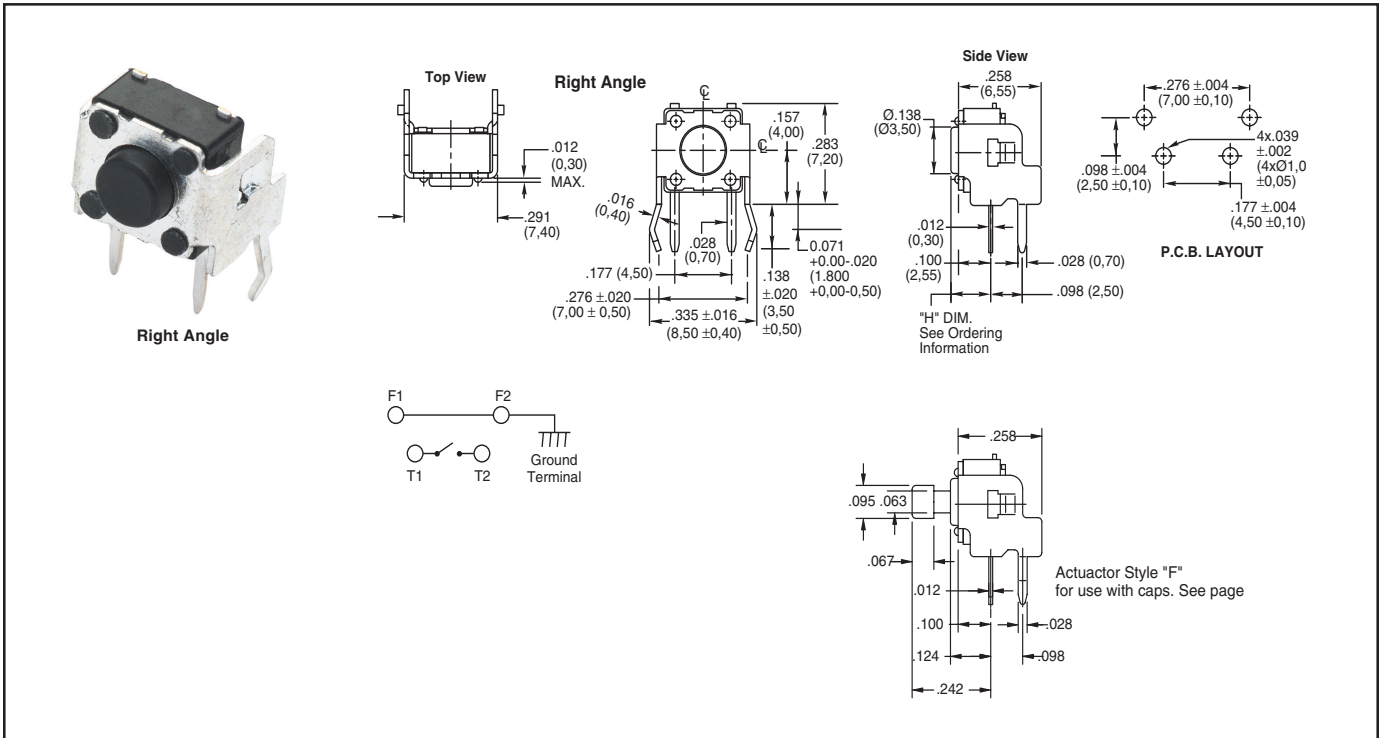
DIMENSIONS: Non-Washable Switches

In inches (and millimeters)



Tact. Switches

DIMENSIONS: Non-Washable Switches In inches (and millimeters)



Tact Switches

ORDERING INFORMATION: Non-Washable Switches

<p>Thru-Hole and Gull Wing</p> <p>95C06A2GWRT</p>	<p>Series Size: 06 = 6mm Square Height ("H"): A = .169 (4,29), B = .197 (5,00), C = .276 (7,01), D = .374 (9,50), E = .512 (13,00) F = .287 (7,29) for use with decorative caps RoHS compliant Packaging: Blank = Tube or bulk, R = Tape and Reel (see pkg note) Terminal Style: Blank = Thru-hole, GW = Gull Wing Operating Force (Actuator Color): 2 = 100g (Black), 3 = 160g (Brown), 4 = 260g (Red), 5 = 320g (Orange), 6 = 520g (Yellow)</p>
<p>Right Angle</p> <p>95C06A2RAT</p>	<p>Series Size: 06 = 6mm Square Height ("H"): A = .124 (3,14), B = .152 (3,86), C = .230 (5,84), D = .329 (8,36), E = .467 (11,86) F = .242 (6,15) for use with decorative caps RoHS compliant Terminal Style: RA = Right Angle Operating Force (Actuator Color): 2 = 100g (Black), 3 = 160g (Brown), 4 = 260g (Red)</p>

Packaging Thru-Hole: Bulk, 1000 pcs/bag. Surface Mount: 77 pcs/tube, 1000 pcs/reel (.169" height), 900 pcs/reel (.197" height), 500 pcs/reel (.276" and .287" height), 380 pcs/reel (.374" height). Right Angle: Bulk, 1000 pcs/bag.

SPECIFICATIONS:

Non-Washable Switches

Materials

Base: UL94V-0 Nylon thermoplastic
Cover: Stainless steel, tin-plated steel
Actuator: UL94V-0 Nylon thermoplastic
Terminal: Brass with silver-plating
Contact: Phosphor bronze with silver-plating
Cap: Thermoplastic ABS

Electrical

Rating: 50mA, 12 Vdc
Life: 100g, 160g: 1,000,000 cycles;
 260g: 500,000 cycles
 320g, 520g, 300,000 cycles
Actuator Travel: .010" + .008" / - .004"
Contact Resistance: 100 mΩ max.
Insulation Resistance: 100 MΩ min. at 500Vdc

Dielectric Strength: No dielectric breakdown after 250V for one minute

Contact Arrangement: single pole, single throw

Environmental

Operating Temp. Range: -25 to 70°C
Storage Temp. Range: -30 to 80°C
Mechanical Shock: MIL-STD-202F, Method 213B, Test Condition A. Gravity: 50G's (peak value), 11 msec. Direction and times: 6 sides and 3 times in each direction. High reliability.
Vibration: MIL-STD-202F, Method 201A. Passed 6 hours (2 hours in each) of three perpendicular planes at a cycle of 10-55-10Hz/minute. High reliability.

Soldering Process

Hand Soldering: Use a soldering iron of 30 watts, controlled at 350°C for 5 seconds maximum while applying solder.

Reflow Soldering (surface mount versions only): Peak temperature 260°C (500°F).

Wave Soldering: 260°C (500°F) maximum for 5 seconds subject to PCB .063 in. (1,6mm) thickness.

Available from your local Grayhill Component Distributor.

For prices and discounts, contact a local Sales Office, an authorized local distributor, or Grayhill.

DECORATIVE CAPS (for use with "F" style square actuators)

6mm SQUARE

figure 1

6mm ROUND

figure 2

PART NUMBER	SWITCH SIZE	SHAPE	COLOR	FIGURE
95CAP-000	6mm	SQUARE	YELLOW	1
95CAP-001	6mm	SQUARE	BLUE	1
95CAP-002	6mm	SQUARE	RED	1
95CAP-003	6mm	SQUARE	NATURAL	1
95CAP-004	6mm	SQUARE	BLACK	1
95CAP-005	6mm	SQUARE	GREEN	1
95CAP-006	6mm	SQUARE	ORANGE	1
95CAP-010	6mm	ROUND	YELLOW	2
95CAP-011	6mm	ROUND	BLUE	2
95CAP-012	6mm	ROUND	RED	2
95CAP-013	6mm	ROUND	NATURAL	2
95CAP-014	6mm	ROUND	BLACK	2
95CAP-015	6mm	ROUND	GREEN	2
95CAP-016	6mm	ROUND	ORANGE	2

SERIES 95C 6mm Square, Washable

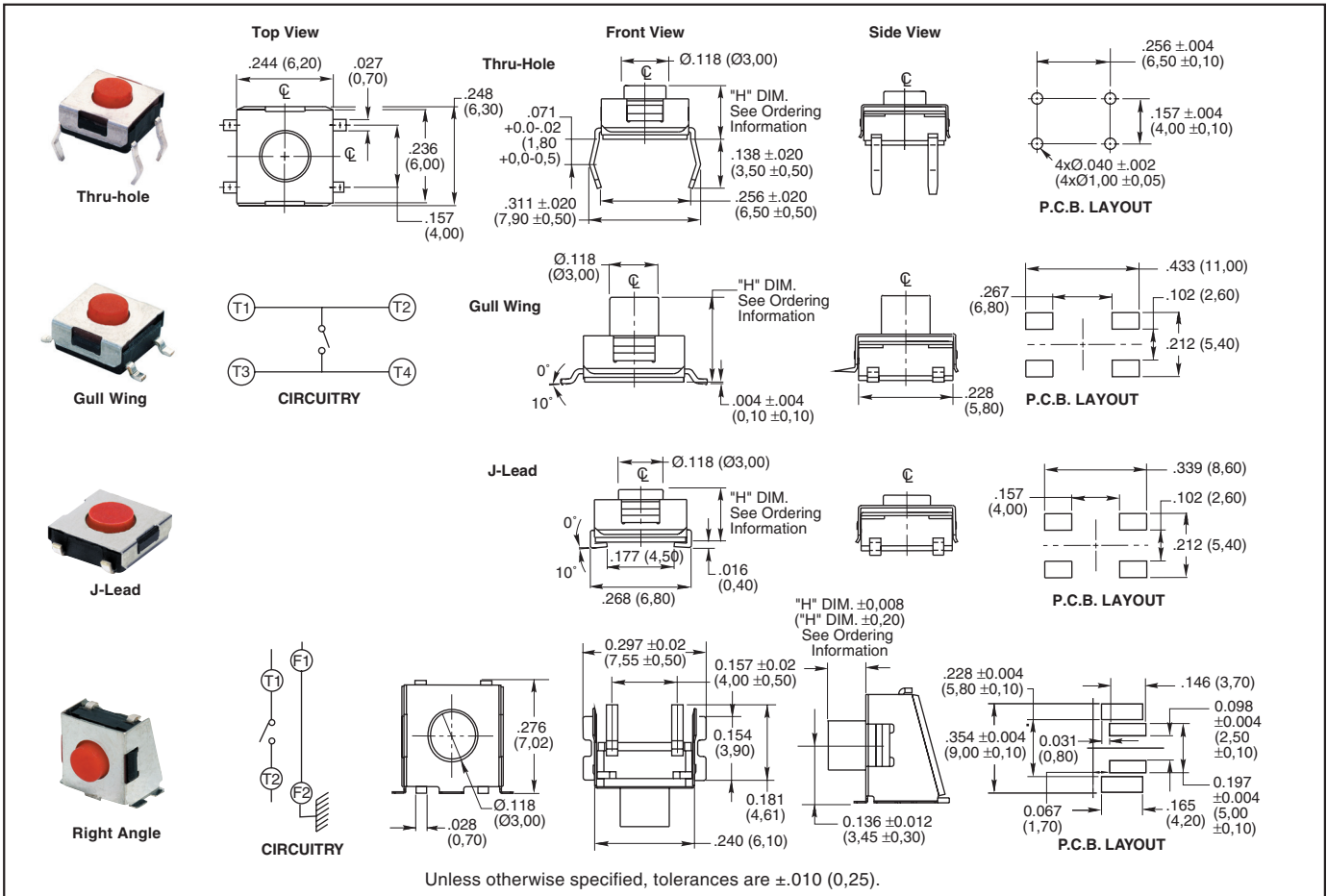
FEATURES

- Designed to Allow Submersed Washing After Soldering
- Excellent Tactile Feedback
- Thru-hole, Gull Wings, Right Angle, and J-Lead Versions
- Surface Mount Versions Compatible with SMT Assembly Including Infrared and Vapor Phase
- Ultraminiature and Lightweight Structure Suitable for High Density Mounting
- Insert Molded Terminals to Prevent Flux Build-up During Soldering

APPLICATIONS

Used in applications such as consumer electronics, audio equipment, PCs, VCRs, cable boxes, modems, communications equipment, controls, security and alarm equipment, and test and measurement equipment.

DIMENSIONS: Washable Switches In inches (and millimeters)



SPECIFICATIONS:

Washable Switches

Materials

Base: UL94V-0 Nylon thermoplastic
Cover: Stainless steel, nickel silver
Actuator: Silicone rubber
Terminal: Brass with silver-plating
Contact: Phosphor bronze with silver-plating

Electrical

Rating: 50mA, 12 Vdc
Life: See table, page C-12
Actuator Travel: $.018" \pm .008"$
Contact Resistance: 100 mΩ max.

Insulation Resistance: 100 MΩ min. at 500Vdc

Dielectric Strength: No dielectric breakdown after 250V for one minute

Contact Arrangement: single pole, single throw

Environmental

Operating Temp. Range: -25 to 70°C

Storage Temp. Range: -30 to 80°C

Mechanical Shock: MIL-STD-202F, Method 213B, Test Condition A. Gravity: 50G's (peak value), 11 msec. Direction and times: 6 sides and 3 times in each direction. High reliability.

Vibration: MIL-STD-202F, Method 201A. Passed 6 hours (2 hours in each) of three perpendicular planes at a cycle of 10-55-10Hz/minute. High reliability.

Soldering Process

Hand Soldering: Use a soldering iron of 30 watts, controlled at 350°C for 5 seconds maximum while applying solder.

Reflow Soldering (surface mount versions only): Peak temperature 260°C (500°F).

Wave Soldering: 260°C (500°F) maximum for 5 seconds subject to PCB .063 in. (1,60 mm) thickness.

ORDERING INFORMATION: Washable Switches

Thru-Hole

Part Number	Height ("H") in (mm)	Force (Grams)	Actuator Color	Electrical Life (Cycles)	Tube Packaging
95CW06A1T	.091 (2,3)	160	Silver	100,000	75PCS/Tube
95CW06B1T	.122 (3,1)	160	Brown	100,000	75PCS/Tube
95CW06C2T	.138 (3,5)	180	Brown	500,000	75PCS/Tube
95CW06C3T	.138 (3,5)	260	Red	500,000	75PCS/Tube
95CW06C5T	.138 (3,5)	360	Clear	500,000	75PCS/Tube
95CW06D2T	.150 (3,8)	180	Brown	500,000	75PCS/Tube
95CW06D3T	.150 (3,8)	260	Red	500,000	75PCS/Tube
95CW06D4T	.150 (3,8)	520	Yellow	50,000	75PCS/Tube
95CW06D5T	.150 (3,8)	360	Clear	500,000	75PCS/Tube
95CW06E2T	.205 (5,2)	180	Brown	500,000	77PCS/Tube
95CW06E3T	.205 (5,2)	260	Red	500,000	77PCS/Tube
95CW06E4T	.205 (5,2)	520	Yellow	50,000	77PCS/Tube
95CW06E5T	.205 (5,2)	360	Clear	500,000	77PCS/Tube

Gull Wing

Part Number	Height ("H") in (mm)	Force (Grams)	Actuator Color	Electrical Life (Cycles)	Tube Packaging	Tape & Reel* Packaging
95CW06A1GWT	.091 (2,29)	160	Silver	100,000	75PCS/Tube	2000PCS/Reel
95CW06B1GWT	.122 (3,10)	160	Brown	100,000	75PCS/Tube	2000PCS/Reel
95CW06C2GWT	.138 (3,51)	180	Brown	500,000	75PCS/Tube	1900PCS/Reel
95CW06C3GWT	.138 (3,51)	260	Red	500,000	75PCS/Tube	1900PCS/Reel
95CW06C5GWT	.138 (3,51)	360	Clear	500,000	75PCS/Tube	1900PCS/Reel
95CW06D2GWT	.150 (3,81)	180	Brown	500,000	75PCS/Tube	1900PCS/Reel
95CW06D3GWT	.150 (3,81)	260	Red	500,000	75PCS/Tube	1900PCS/Reel
95CW06D4GWT	.150 (3,81)	520	Yellow	50,000	75PCS/Tube	1900PCS/Reel
95CW06D5GWT	.150 (3,81)	360	Clear	500,000	75PCS/Tube	1900PCS/Reel
95CW06E2GWT	.205 (5,21)	180	Brown	500,000	77PCS/Tube	900PCS/Reel
95CW06E3GWT	.205 (5,21)	260	Red	500,000	77PCS/Tube	900PCS/Reel
95CW06E4GWT	.205 (5,21)	520	Yellow	50,000	77PCS/Tube	900PCS/Reel
95CW06E5GWT	.205 (5,21)	360	Clear	500,000	77PCS/Tube	900PCS/Reel

J-Lead

Part Number	Height ("H") in (mm)	Force (Grams)	Actuator Color	Electrical Life (Cycles)	Tube Packaging	Tape & Reel* Packaging
95CW06A1JT	.091 (2,29)	160	Silver	100,000	75PCS/Tube	2000PCS/Reel
95CW06B1JT	.122 (3,10)	160	Brown	100,000	75PCS/Tube	1900PCS/Reel
95CW06C2JT	.138 (3,51)	180	Brown	500,000	75PCS/Tube	1800PCS/Reel
95CW06C3JT	.138 (3,51)	260	Red	500,000	75PCS/Tube	1800PCS/Reel
95CW06C5JT	.138 (3,51)	360	Clear	500,000	75PCS/Tube	1800PCS/Reel
95CW06D2JT	.150 (3,81)	180	Brown	500,000	75PCS/Tube	1800PCS/Reel
95CW06D3JT	.150 (3,81)	260	Red	500,000	75PCS/Tube	1800PCS/Reel
95CW06D4JT	.150 (3,81)	520	Yellow	50,000	75PCS/Tube	1800PCS/Reel
95CW06D5JT	.150 (3,81)	360	Clear	500,000	75PCS/Tube	1800PCS/Reel
95CW06E2JT	.205 (5,21)	180	Brown	500,000	77PCS/Tube	900PCS/Reel
95CW06E3JT	.205 (5,21)	260	Red	500,000	77PCS/Tube	900PCS/Reel
95CW06E4JT	.205 (5,21)	520	Yellow	50,000	77PCS/Tube	900PCS/Reel
95CW06E5JT	.205 (5,21)	360	Clear	500,000	77PCS/Tube	900PCS/Reel

Right Angle

Part Number	Height in ("H") (mm)	Force (Grams)	Actuator Color	Electrical Life (Cycles)	Tape & Reel Packaging
95CW06A3RART	.031 (0,79)	260	Red	500,000	700PCS/Reel
95CW06B3RART	.039 (0,99)	260	Red	500,000	700PCS/Reel
95CW06C3RART	.091 (2,31)	260	Red	500,000	700PCS/Reel

Available from your local Grayhill Component Distributor. *Insert "R" before "T" for tape and reel packaging. For prices and discounts, contact a local Sales Office, an authorized local distributor, or Grayhill.