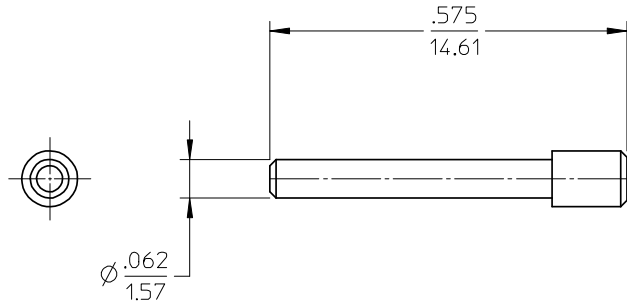
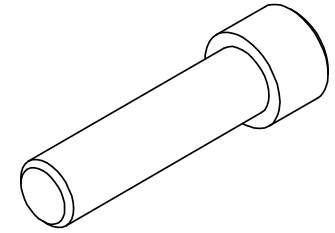
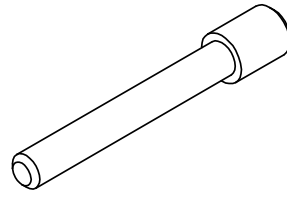
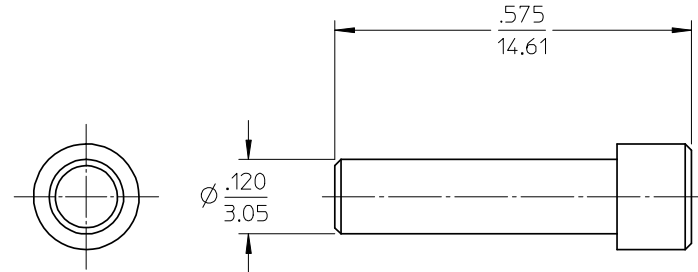


MATERIAL NO.	CONTACT SIZE	COLOR
845090001	20	RED
845090002	12 & 16	NATURAL (WHITE)



MATERIAL NO. 845090001
CONTACT SIZE 20



MATERIAL NO. 845090002
CONTACT SIZE 12 & 16

NOTE(S):

- GENERIC MATERIAL NAME: POLYESTER (PBT)
COLOR: SEE CHART
UL FLAMMABILITY RATING: UL94 V-0
MATERIAL IS ROHS COMPLIANT.
- FOR USE WITH PLUG AND RECPTACLE ASSEMBLIES
SERIES: 84501, 84502, 84507, 84508, 84505,
84506, 84510, & 84511.
- PART IS BULK PACKAGED IN A MOLEX WORLD WIDE
CARTON IN QUANTITIES TBD.

ADDED ISO VIEW EC NO: WNA2008-0321 DRAWN: WLEUNG 2008/05/28 CHKD: 2008/06/06 APPR: RDEROSS 2008/06/17 B	DESCRIPTION REV	QUALITY SYMBOLS	GENERAL TOLERANCES (UNLESS SPECIFIED)	DIMENSION STYLE	SCALE	DESIGN UNITS	THIRD ANGLE PROJECTION															
		▽=0 ▽7=0	<table border="1"> <thead> <tr> <th></th> <th>mm</th> <th>INCH</th> </tr> </thead> <tbody> <tr> <td>4 PLACES</td> <td>± ---</td> <td>± ---</td> </tr> <tr> <td>3 PLACES</td> <td>± ---</td> <td>± .015</td> </tr> <tr> <td>2 PLACES</td> <td>± 0.38</td> <td>± ---</td> </tr> <tr> <td>1 PLACE</td> <td>± ---</td> <td>± ---</td> </tr> </tbody> </table>		mm	INCH	4 PLACES	± ---	± ---	3 PLACES	± ---	± .015	2 PLACES	± 0.38	± ---	1 PLACE	± ---	± ---	IN/MM	5:1	INCH	
			mm	INCH																		
		4 PLACES	± ---	± ---																		
3 PLACES	± ---	± .015																				
2 PLACES	± 0.38	± ---																				
1 PLACE	± ---	± ---																				
DRAFT WHERE APPLICABLE MUST REMAIN WITHIN DIMENSIONS	DRAWN BY DATE DMYRICK 2006/6/29 CHECKED BY DATE JPAWLICKI 2006/6/29 APPROVED BY DATE JPAWLICKI 2006/6/29	TITLE	PLUG, SEALING SIZES 20, 12 & 16																			
		MATERIAL NO.	SEE CHART	DOCUMENT NO.	MOLEX INCORPORATED		SHEET NO.															
		SIZE	B	THIS DRAWING CONTAINS INFORMATION THAT IS PROPRIETARY TO MOLEX INCORPORATED AND SHOULD NOT BE USED WITHOUT WRITTEN PERMISSION			1 OF 1															