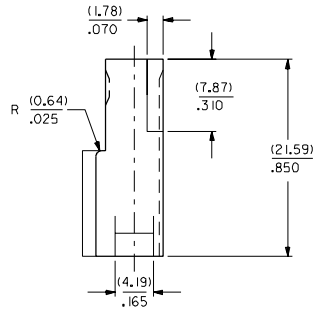
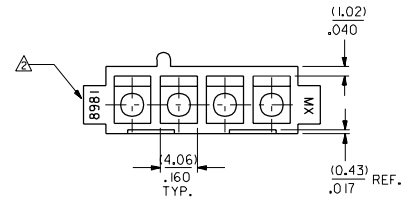
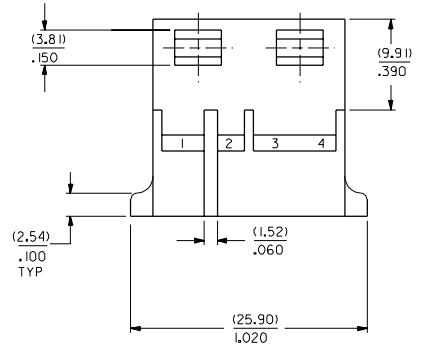
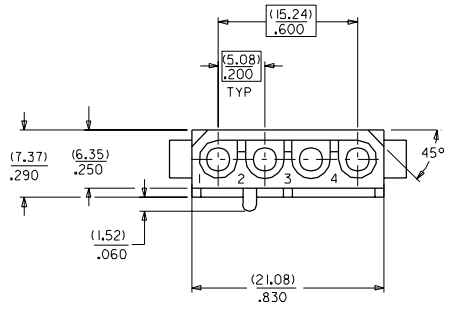


DO NOT SCALE DRAWING

EDP NO: 15-24-4048

CAD FILE  
S89814P.DGN

DWG. NO.  
SD 8981-4P



NOTE:  
I THIS HOUSING IS FOR USE WITH TERMINAL NO: 8980-3\*

(MM)  
INCH

				MATERIAL : NYLON 6/6, 94V-2, COLOR : NATURAL		<b>MOLEX SINGAPORE PTE LTD</b> SHEET 1 OF 1	
B	UPDATE ON CAD PER ECO*	S0110	TAY AT	151287	FINISH :	GENERAL TOLERANCES ± 0.20/.008	
A	ADD EDP NO PER ECO*	19933	JDK AB	310185		DWG. NO.:	REV B
2	X-REL PER ECO*	16043	JDK AB	211085		SD 18981-4P	
1	X-REL PER ECO*	15738	JDK AB	010982		TITLE : HSG, 4 CKT RECEPTACLE (2.13)/.084 DIA	
LTR	REVISION RECORD	ECN	DR	CHK	DATE	DRAWN BY JDK 850131	CHK'D BY TAY 850131
REVISE ONLY ON CAD SYSTEM						APPR'D BY AB 850131	SCALE 2 : 1