

FEATURES

- 10 Volt Output $\pm 0.3\%$ Max
- Adjustment Range $\pm 3\%$ Min
- Excellent Temperature Stability 8.5ppm/ $^{\circ}$ C Max
- Low Noise $30\mu\text{V}_{\text{p-p}}$ Max
- Low Supply Current 1.4mA Max
- Wide Input Voltage Range 12V to 40V
- High Load-Driving Capability 20mA
- No External Components
- Short-Circuit Proof
- MIL-STD-883 Screening Available
- Available in Die Form

ORDERING INFORMATION [†]

| $T_A = 25^{\circ}\text{C}$ $\Delta V_{05} \text{ MAX}$ (mV) | PACKAGE | | | | OPERATING TEMPERATURE RANGE |
|---|----------|--------------|-----------------------|----------------|-----------------------------|
| | TO-99 | CERDIP 8-PIN | PLASTIC 8-PIN | LCC 20-CONTACT | |
| ± 30 | REF01AJ* | REF01AZ* | — | — | MIL |
| ± 30 | REF01EJ | REF01EZ | — | — | COM |
| ± 50 | REF01J* | REF01Z* | — | REF01RC/883 | MIL |
| ± 50 | REF01HJ | REF01HZ | REF01HP | — | COM |
| ± 100 | REF01CJ | REF01CZ | — | — | COM |
| ± 100 | — | — | REF01CP | — | XIND |
| ± 100 | — | — | REF01CS ^{††} | — | XIND |

* For devices processed in total compliance to MIL-STD-883, add /883 after part number. Consult factory for 883 data sheet.

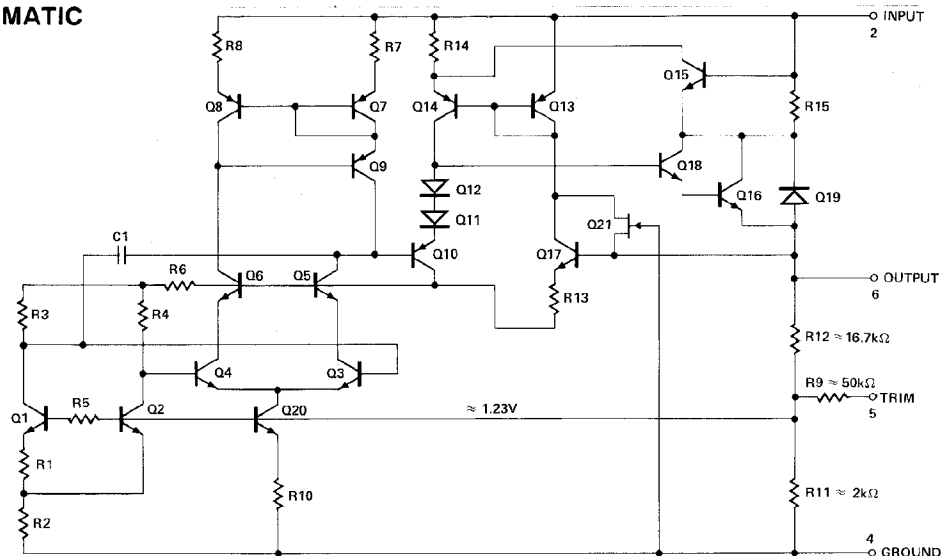
[†] Burn-in is available on commercial and industrial temperature range parts in CerDIP, plastic DIP, and TO-can packages.

^{††} For availability and burn-in information on SO and PLCC packages, contact your local sales office.

GENERAL DESCRIPTION

The REF-01 precision voltage reference provides a stable

SIMPLIFIED SCHEMATIC

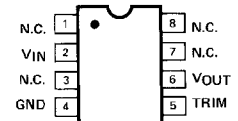
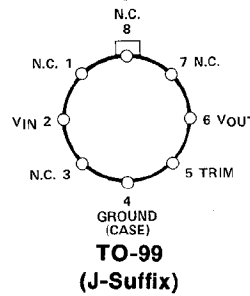


REV. B

Information furnished by Analog Devices is believed to be accurate and reliable. However, no responsibility is assumed by Analog Devices for its use, nor for any infringements of patents or other rights of third parties which may result from its use. No license is granted by implication or otherwise under any patent or patent rights of Analog Devices.

+10V output which can be adjusted over a $\pm 3\%$ range with minimal effect on temperature stability. Single-supply operation over an input voltage range of 12V to 40V, low current drain of 1mA, and excellent temperature stability are achieved with an improved bandgap design. Low cost, low noise, and low power make the REF-01 an excellent choice whenever a stable voltage reference is required. Applications include D/A and A/D converters, portable instrumentation, and digital voltmeters. Full military temperature range devices with screening to MIL-STD-883 are available. For guaranteed long-term drift see the REF-10 data sheet.

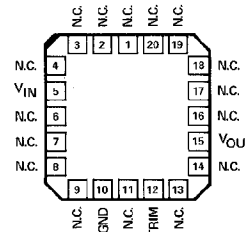
PIN CONNECTIONS



EPOXY MINI-DIP (P-Suffix)

8-PIN HERMETIC DIP (Z-Suffix)

8-PIN SO (S-Suffix)



REF-01RC/883 LCC (RC-Suffix)

REF-01

ABSOLUTE MAXIMUM RATINGS (Note 1)

| | | |
|---|---|-----------------|
| Input Voltage | REF-01, A, E, H, RC, All DICE | 40V |
| | REF-01C | 30V |
| Output Short-Circuit Duration (to Ground or V_{IN}) | | Indefinite |
| Storage Temperature Range | J, RC, and Z Packages | -65°C to +150°C |
| | P Package | -65°C to +125°C |
| Operating Temperature Range | REF-01A, REF-01, REF-01RC | -55°C to +125°C |
| | REF-01E, REF-01H, REF-01CJ, REF-01CZ | 0°C to +70°C |
| | REF-01CP, REF-01CS | -40°C to +85°C |

Junction Temperature (T_J) -65°C to +150°C
 Lead Temperature (Soldering, 60 sec) 300°C

| PACKAGE TYPE | θ_{JA} (NOTE 2) | θ_{JC} | UNITS |
|------------------------|------------------------|---------------|-------|
| TO-99 (J) | 170 | 24 | °C/W |
| 8-Pin Hermetic DIP (Z) | 162 | 26 | °C/W |
| 8-Pin Plastic DIP (P) | 110 | 50 | °C/W |
| 20-Contact LCC (RC) | 120 | 40 | °C/W |
| 8-Pin SO (S) | 160 | 44 | °C/W |
| 20-Contact PLCC (PC) | 80 | 39 | °C/W |

NOTES:

1. Absolute maximum ratings apply to both DICE and packaged parts, unless otherwise noted.
2. θ_{JA} is specified for worst case mounting conditions, i.e., θ_{JA} is specified for device in socket for TO, CerDIP, P-DIP, and LCC packages; θ_{JA} is specified for device soldered to printed circuit board for SO and PLCC packages.

ELECTRICAL CHARACTERISTICS at $V_{IN} = +15V$, $T_A = 25^\circ C$, unless otherwise noted.

| PARAMETER | SYMBOL | CONDITIONS | REF-01A/E | | | REF-01/H | | | UNITS |
|--------------------------|-------------------|-------------------------------|-----------|-----------|-------|-----------|-----------|-------|---------------|
| | | | MIN | TYP | MAX | MIN | TYP | MAX | |
| Output Voltage | V_O | $I_L = 0$ | 9.97 | 10.00 | 10.03 | 9.95 | 10.00 | 10.05 | V |
| Output Adjustment Range | ΔV_{trim} | $R_p = 10k\Omega$ | ± 3.0 | ± 3.3 | — | ± 3.0 | ± 3.3 | — | % |
| Output Voltage Noise | e_{np-p} | 0.1Hz to 10Hz (Note 6) | — | 20 | 30 | — | 20 | 30 | μV_{p-p} |
| Line Regulation (Note 4) | | $V_{IN} = 13V$ to 33V | — | 0.006 | 0.010 | — | 0.006 | 0.010 | %/V |
| Load Regulation (Note 4) | | $I_L = 0$ to 10mA | — | 0.005 | 0.008 | — | 0.006 | 0.010 | %/mA |
| Turn-on Settling Time | t_{on} | To $\pm 0.1\%$ of final value | — | 5 | — | — | 5 | — | μs |
| Quiescent Supply Current | I_{SY} | No Load | — | 1.0 | 1.4 | — | 1.0 | 1.4 | mA |
| Load Current | I_L | | 10 | 21 | — | 10 | 21 | — | mA |
| Sink Current | I_S | (Note 7) | -0.3 | -0.5 | — | -0.3 | -0.5 | — | mA |
| Short-Circuit Current | I_{SC} | $V_O = 0$ | — | 30 | — | — | 30 | — | mA |

ELECTRICAL CHARACTERISTICS at $V_{IN} = +15V$, $-55^\circ C \leq T_A \leq +125^\circ C$ for REF-01 A/E, and $0^\circ C \leq T_A \leq +70^\circ C$ for REF-01 H and $I_L = 0mA$, unless otherwise noted.

| PARAMETER | SYMBOL | CONDITIONS | REF-01A/E | | | REF-01/H | | | UNITS |
|--|-----------------|---|-----------|-------|-------|----------|-------|-------|--------|
| | | | MIN | TYP | MAX | MIN | TYP | MAX | |
| Output Voltage Change with Temperature (Notes 1, 2) | ΔV_{OT} | $0^\circ C \leq T_A \leq +70^\circ C$ $-55^\circ C \leq T_A \leq +125^\circ C$ | — | 0.02 | 0.06 | — | 0.07 | 0.17 | % |
| Output Voltage Temperature Coefficient | TCV_O | (Note 3) | — | 3.0 | 8.5 | — | 10.0 | 25.0 | ppm/°C |
| Change in V_O Temperature Coefficient with Output Adjustment | | $R_p = 10k\Omega$ | — | 0.7 | — | — | 0.7 | — | ppm/% |
| Line Regulation ($V_{IN} = 13V$ to 33V) (Note 4) | | $0^\circ C \leq T_A \leq +70^\circ C$ $-55^\circ C \leq T_A \leq +125^\circ C$ | — | 0.007 | 0.012 | — | 0.007 | 0.012 | %/V |
| Load Regulation ($I_L = 0$ to 8mA) (Note 4) | | $0^\circ C \leq T_A \leq +70^\circ C$ $-55^\circ C \leq T_A \leq +125^\circ C$ | — | 0.006 | 0.010 | — | 0.007 | 0.012 | %/mA |

NOTES:

1. ΔV_{OT} is defined as the absolute difference between the maximum output voltage and the minimum output voltage over the specified temperature range expressed as a percentage of 10V:

$$\Delta V_{OT} = \left| \frac{V_{MAX} - V_{MIN}}{10V} \right| \times 100$$

2. ΔV_{OT} specification applies trimmed to +10.000V or untrimmed.
3. TCV_O is defined as ΔV_{OT} divided by the temperature range, i.e.,

$$TCV_O (0^\circ \text{ to } +70^\circ C) = \frac{\Delta V_{OT} (0^\circ \text{ to } +70^\circ C)}{70^\circ C}$$

$$\text{and } TCV_O (-55^\circ \text{ to } +125^\circ C) = \frac{\Delta V_{OT} (-55^\circ \text{ to } +125^\circ C)}{180^\circ C}$$

4. Line and Load Regulation specifications include the effect of self heating.
5. Guaranteed by design.
6. Sample tested.
7. During sink current test the device meets the output voltage specified.

ELECTRICAL CHARACTERISTICS at $V_{IN} = +15V$, $T_A = 25^\circ C$, unless otherwise noted.

| PARAMETER | SYMBOL | CONDITIONS | REF-01C | | | UNITS |
|--------------------------|-------------------|-------------------------------|-----------|-----------|-------|---------------|
| | | | MIN | TYP | MAX | |
| Output Voltage | V_O | $I_L = 0mA$ | 9.90 | 10.00 | 10.10 | V |
| Output Adjustment Range | ΔV_{trim} | $R_p = 10k\Omega$ | ± 2.7 | ± 3.3 | — | % |
| Output Voltage Noise | e_{np-p} | 0.1Hz to 10Hz (Note 6) | — | 25 | 35 | μV_{p-p} |
| Line Regulation (Note 4) | | $V_{IN} = 13V$ to $30V$ | — | 0.009 | 0.015 | %/V |
| Load Regulation (Note 4) | | $I_L = 0$ to $8mA$ | — | 0.006 | 0.015 | %/mA |
| Turn-on Settling Time | t_{ON} | To $\pm 0.1\%$ of final value | — | 5 | — | μs |
| Quiescent Supply Current | I_{SY} | No Load | — | 1.0 | 1.6 | mA |
| Load Current | I_L | | 8 | 21 | — | mA |
| Sink Current | i_s | (Note 7) | -0.3 | -0.5 | — | mA |
| Short-Circuit Current | I_{SC} | $V_O = 0$ | — | 30 | — | mA |

ELECTRICAL CHARACTERISTICS at $V_{IN} = +15V$, $0^\circ C \leq T_A \leq +70^\circ C$ for REF-01CJ, CZ, $-40^\circ C \leq T_A \leq +85^\circ C$ for REF-01CP, CS, unless otherwise noted.

| PARAMETER | SYMBOL | CONDITIONS | REF-01C | | | UNITS |
|--|-----------------|-------------------------|---------|-------|-------|-----------------|
| | | | MIN | TYP | MAX | |
| Output Voltage Change with Temperature | ΔV_{OT} | (Notes 1 and 2) | — | 0.14 | 0.45 | % |
| Output Voltage Temperature Coefficient | TCV_O | (Note 3) | — | 20 | 65 | ppm/ $^\circ C$ |
| Change in V_O Temperature Coefficient with Output Adjustment | | $R_p = 10k\Omega$ | — | 0.7 | — | ppm/% |
| Line Regulation (Note 4) | | $V_{IN} = 13V$ to $30V$ | — | 0.011 | 0.018 | %/V |
| Load Regulation (Note 4) | | $I_L = 0$ to $5mA$ | — | 0.008 | 0.018 | %/mA |

NOTES:

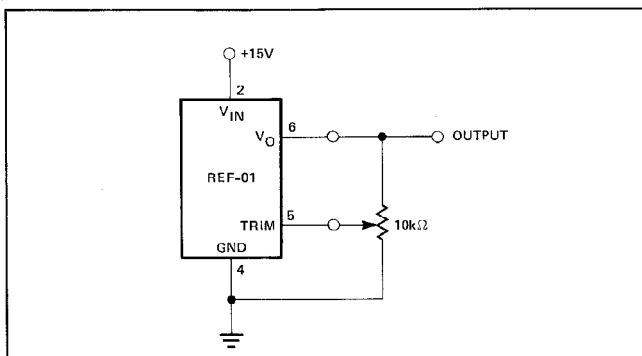
- ΔV_{OT} is defined as the absolute difference between the maximum output voltage and the minimum output voltage over the specified temperature range expressed as a percentage of 10V:

$$\Delta V_{OT} = \left| \frac{V_{MAX} - V_{MIN}}{10V} \right| \times 100$$

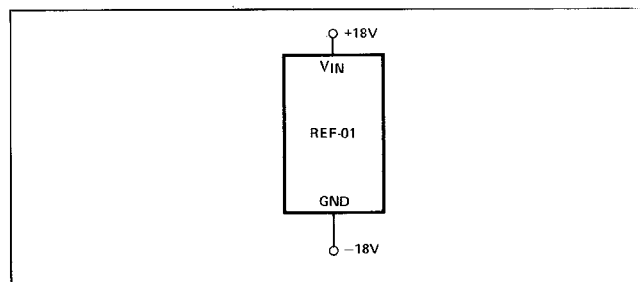
- ΔV_{OT} specification applies trimmed to $\pm 10.000V$ or untrimmed.
- TCV_O is defined as ΔV_{OT} divided by the temperature range, i.e.,

$$TCV_O = \frac{\Delta V_{OT}}{70^\circ C}$$

- Line and Load Regulation specifications include the effect of self heating.
- Guaranteed by design.
- Sample tested.
- During sink current test the device meets the output voltage specified.

OUTPUT ADJUSTMENT

The REF-01 trim terminal can be used to adjust the output voltage over a $10V \pm 300mV$ range. This feature allows the system designer to trim system errors by setting the reference to a voltage other than 10V. Of course, the output can

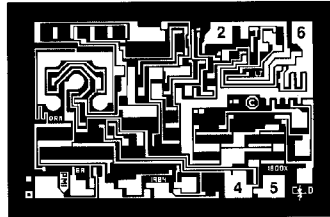
BURN-IN CIRCUIT

also be set to exactly 10.000V, or to 10.240V for binary applications.

Adjustment of the output does not significantly affect the temperature performance of the device. The temperature coefficient change is approximately 0.7 ppm/ $^\circ C$ for 100mV of output adjustment.

REF-01

DICE CHARACTERISTICS (125° C TESTED DICE AVAILABLE)



- 2. INPUT VOLTAGE (V_{IN})
- 4. GROUND
- 5. TRIM
- 6. OUTPUT VOLTAGE (V_{OUT})

DIE SIZE 0.074 × 0.048 inch, 3552 sq. mils
(1.88 × 1.22 mm, 2.29 sq. mm)

WAFER TEST LIMITS at $V_{IN} = +15V$, $T_A = 25^\circ C$ for REF-01N and REF-01G devices; $T_A = 125^\circ C$ for REF-01NT and REF-01GT devices, unless otherwise noted. (Note 1)

| PARAMETER | SYMBOL | CONDITIONS | REF-01NT LIMIT | REF-01N LIMIT | REF-01GT LIMIT | REF-01G LIMIT | UNITS |
|-------------------------|------------|-----------------------|-------------------|------------------|-------------------|------------------|---------|
| Output Voltage | V_O | $I_L = 0$ | 10.05 | 10.03 | 10.10 | 10.05 | V MAX |
| | | | 9.95 | 9.97 | 9.90 | 9.95 | V MIN |
| Output Adjustment Range | V_{trim} | $R_p = 10k\Omega$ | — | ±3.0 | — | ±3.0 | % MIN |
| Line Regulation | | $V_{IN} = 13V$ to 33V | 0.015 | 0.01 | 0.015 | 0.01 | %/V MAX |

NOTE:

Electrical tests are performed at wafer probe to the limits shown. Due to variations in assembly methods and normal yield loss, yield after packaging is not guaranteed for standard product dice. Consult factory to negotiate specifications based on dice lot qualification through sample lot assembly and testing.

TYPICAL ELECTRICAL CHARACTERISTICS at $V_{IN} = +15V$, $T_A = 25^\circ C$, unless otherwise noted.

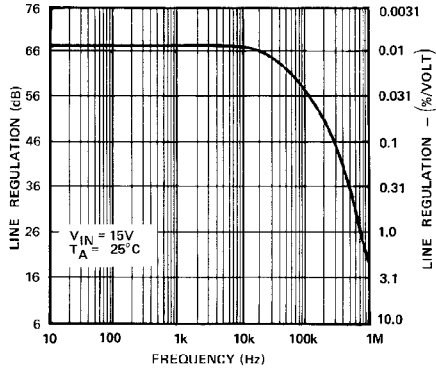
| PARAMETER | SYMBOL | CONDITIONS | REF-01NT TYPICAL | REF-01N TYPICAL | REF-01GT TYPICAL | REF-01G TYPICAL | UNITS |
|--|------------|---|---------------------|--------------------|---------------------|--------------------|---------------|
| Load Regulation | | $I_L = 0$ to 10mA $I_L = 0$ to 8mA, NT, GT @ +125° C | 0.007 | 0.005 | 0.009 | 0.006 | %/mA |
| Output Voltage Noise | e_{np-p} | 0.1Hz to 10Hz | 20 | 20 | 20 | 20 | μV_{p-p} |
| Turn-On Settling Time | t_{ON} | To ±0.1% of Final Value NT, GT @ +125° C | 7.5 | 5.0 | 7.5 | 5.0 | μs |
| Quiescent Current | I_{SY} | No Load, NT, GT @ +125° C | 1.4 | 1.0 | 1.4 | 1.0 | mA |
| Load Current | I_L | | 21 | 21 | 21 | 21 | mA |
| Sink Current | I_S | | -0.5 | -0.5 | -0.5 | -0.5 | mA |
| Short-Circuit Current | I_{SC} | $V_O = 0$ | 30 | 30 | 30 | 30 | mA |
| Output Voltage Temperature Coefficient | TCV_O | | 10 | 10 | 10 | 10 | ppm/° C |

NOTE:

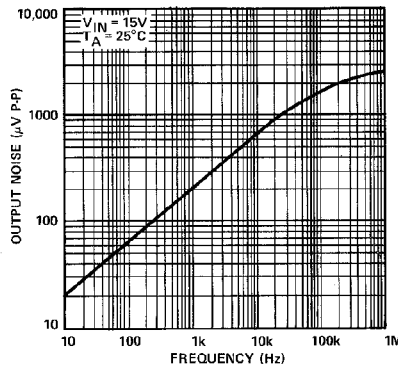
1. For +25° C specifications of REF-01NT and REF-01GT, see REF-01N and REF-01G respectively.

TYPICAL PERFORMANCE CHARACTERISTICS

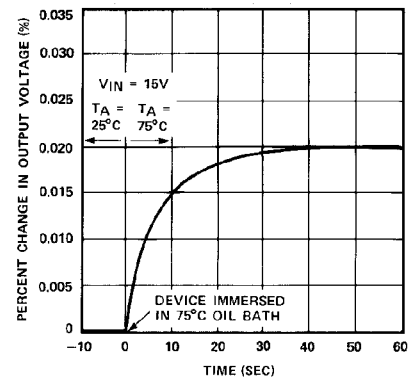
LINE REGULATION vs FREQUENCY



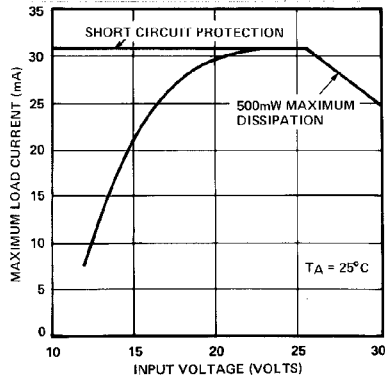
OUTPUT WIDEBAND NOISE vs BANDWIDTH (0.1Hz TO FREQUENCY INDICATED)



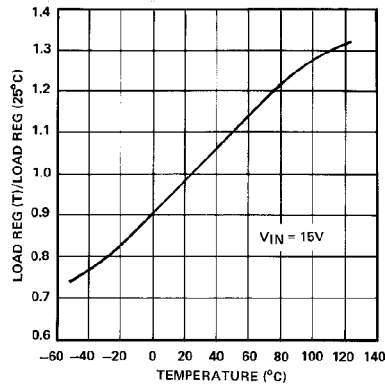
OUTPUT CHANGE DUE TO THERMAL SHOCK



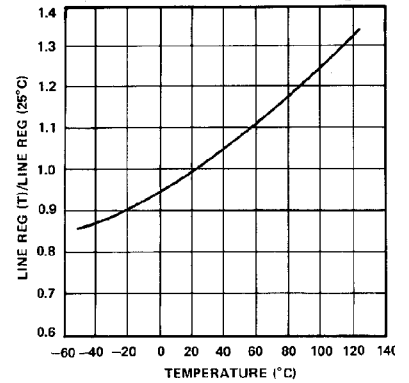
MAXIMUM LOAD CURRENT vs INPUT VOLTAGE



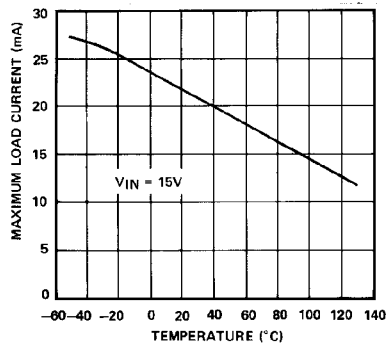
NORMALIZED LOAD REGULATION ($\Delta I_L = 10mA$) vs TEMPERATURE



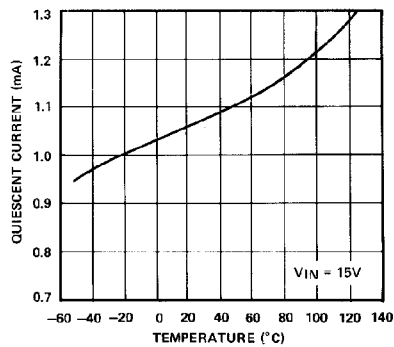
NORMALIZED LINE REGULATION vs TEMPERATURE



MAXIMUM LOAD CURRENT vs TEMPERATURE



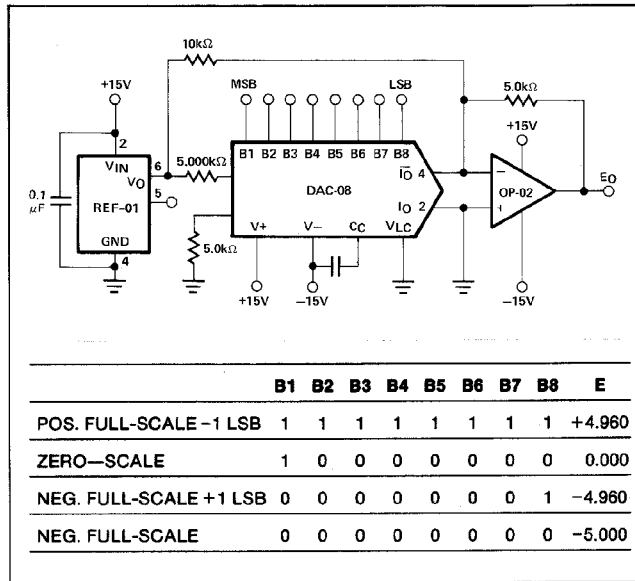
QUIESCENT CURRENT vs TEMPERATURE



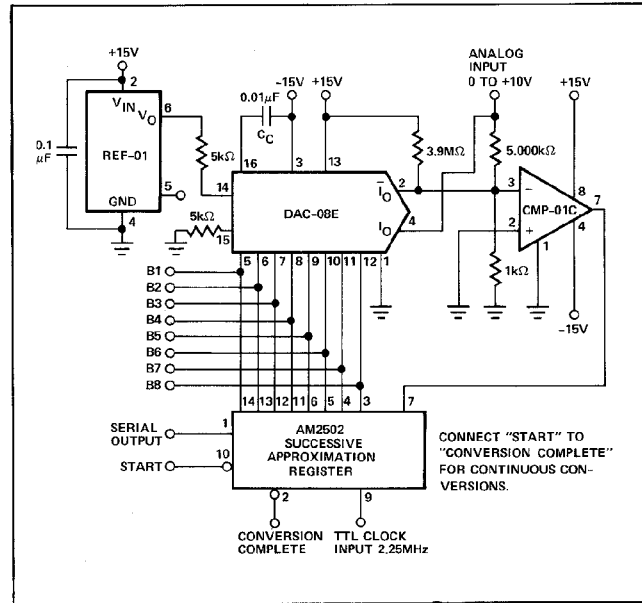
REF-01

TYPICAL APPLICATIONS

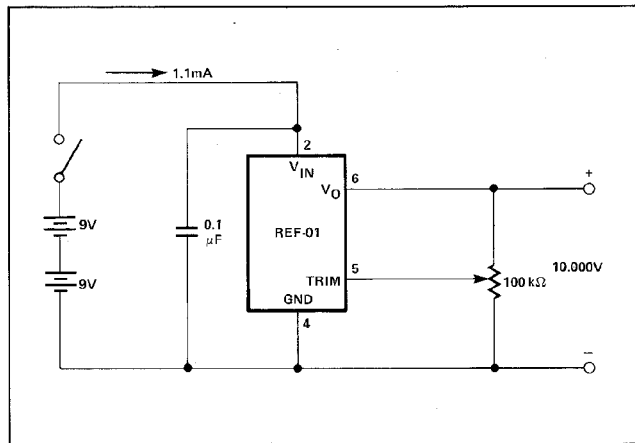
D/A CONVERTER REFERENCE



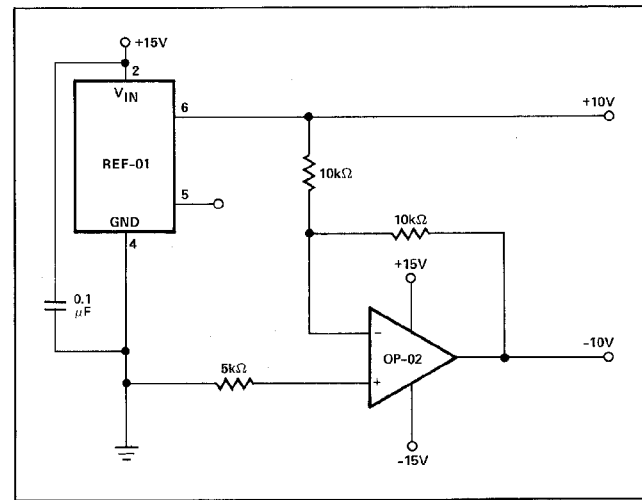
A/D CONVERTER REFERENCE



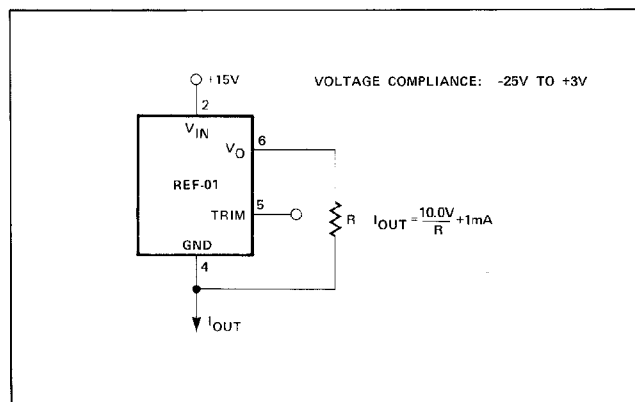
PRECISION CALIBRATION STANDARD



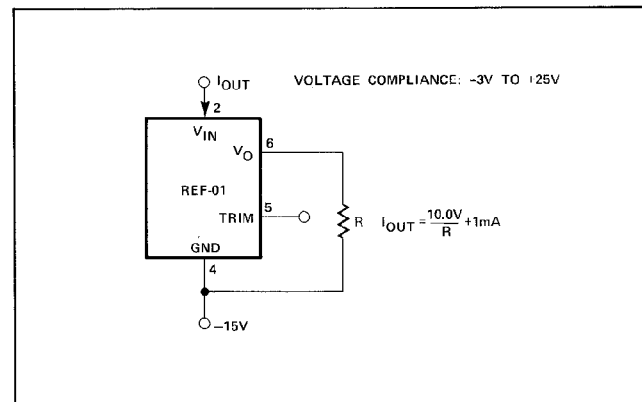
± 10V REFERENCE



CURRENT SOURCE



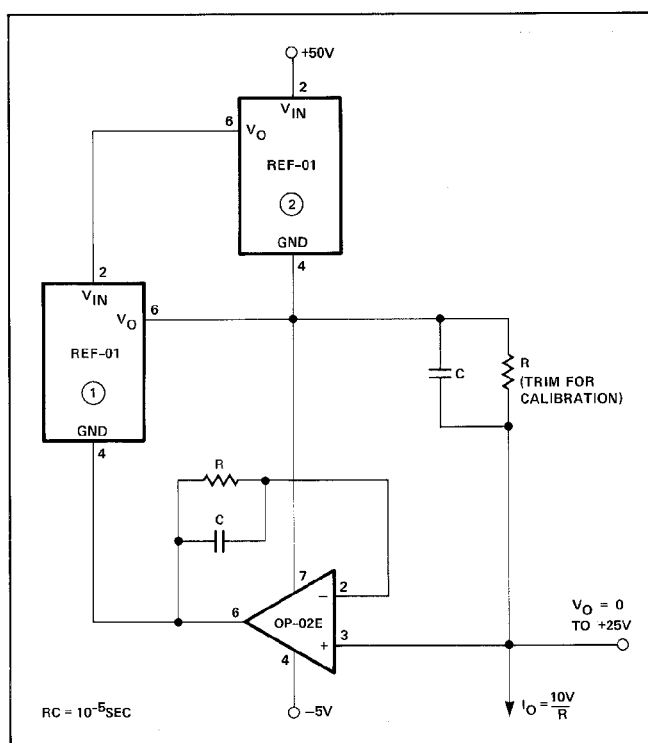
CURRENT SINK



PRECISION CURRENT SOURCE

A current source with 25V output compliance and excellent output impedance can be obtained using this circuit. REF-01 (2) keeps the line voltage and power dissipation constant in device (1); the only important error consideration at room temperature is the negative supply rejection of the op amp. The typical $3\mu\text{V}/\text{V}$ PSRR of the OP-02E will create an 8ppm change ($3\mu\text{V}/\text{V} \times 25\text{V}/10\text{V}$) in output current over a 25V range. For example, a 10mA current source can be built ($R = 1\text{k}\Omega$) with $300\text{M}\Omega$ output impedance.

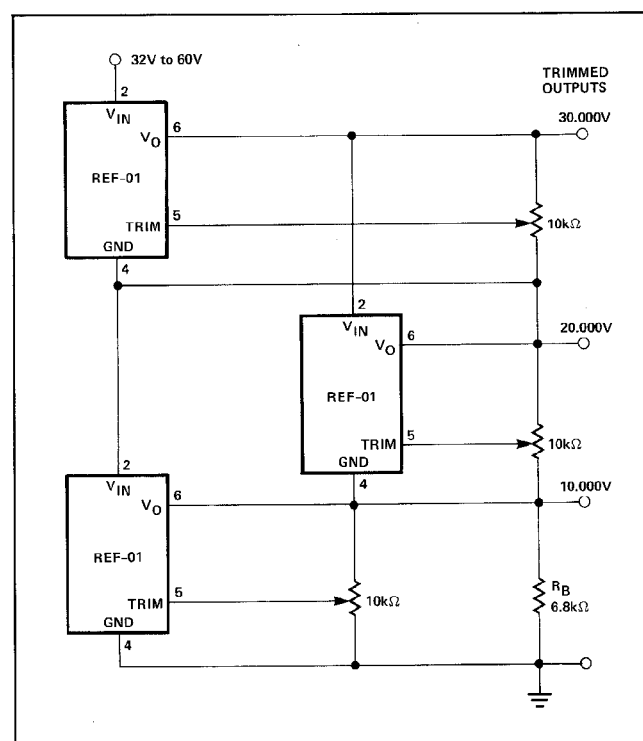
$$R_O = \frac{25\text{V}}{8 \times 10^{-6} \times 10\text{mA}}$$



REFERENCE STACK WITH EXCELLENT LINE REGULATION

Three REF-01's can be stacked to yield 10.000, 20.000, and 30.000V outputs. An additional advantage is near-perfect line regulation of the 10.0V and 20.0V output. A 32V to 60V input change produces an output change which is less than the noise voltage of the devices. A load bypass resistor (R_B) provides a path for the supply current (I_{SY}) of the 20.000V regulator.

In general, any number of REF-01's can be stacked this way. For example, ten devices will yield outputs of 10, 20, 30 ... 100V. The line voltage can range from 105V to 130V. However, care must be taken to ensure that the total load currents do not exceed the maximum usable current (typically 21mA).



SUPPLY BYPASSING

For best results, it is recommended that the power supply pin is bypassed with a $0.1\mu\text{F}$ disc ceramic capacitor.