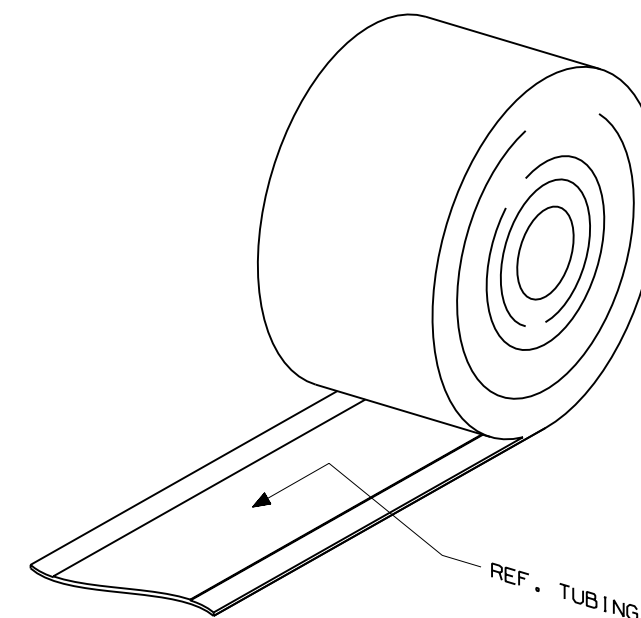
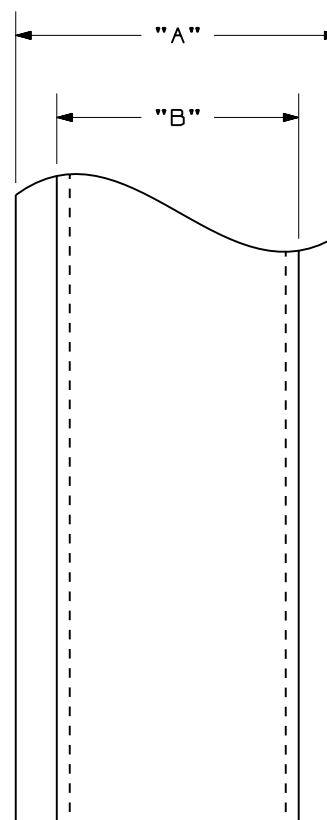


THIS COPY IS PROVIDED ON A RESTRICTED BASIS AND IS NOT TO BE USED IN ANY WAY DETRIMENTAL TO THE INTERESTS OF PANDUIT CORP.

PART NO.	HEATSHRINK TUBING	COLOR	TUBING WIDTH "B"	LINER WIDTH "A"	ROLL LENGTH
H000X025FIC	GMHS31-1/8"	WHITE	.25 ( 6.35 )	0.85 ( 21.59 )	96.0" +10.0"/-0.0" ( 2438.4 mm +254mm/ _0.0 mm )
H000X034FIC	GMHS31-3/16"	WHITE	.34 ( 8.89 )	0.85 ( 21.59 )	96.0" +10.0"/-0.0" ( 2438.4 mm +254mm/ _0.0 mm )
H000X044FIC	GMHS31-1/4"	WHITE	.44 ( 11.18 )	0.85 ( 21.59 )	72.0" +10.0"/-0.0" ( 1828.8 mm +254mm/ _0.0 mm )
H000X084FIC	GMHS31-1/2"	WHITE	.84 ( 21.34 )	1.13 ( 28.70 )	72.0" +10.0"/-0.0" ( 1828.8 mm +254mm/ _0.0 mm )



NOTE:  
 1. SEE MFG. DWG. NO. A61301.  
 2. DIMENSIONS IN [ ] ARE IN MILLIMETERS.

CAD FILENAME/LAYERS: I00472LX\_C10410\_HxxxXxxxFIC\_00.prt

REV	DATE	BY	CHK	DESCRIPTION	ECN	R	CUST	SUP
0	5-10-06	RVU		DRAWING RELEASED.	4503	R		

**PANDUIT** CORP. TINLEY PARK, ILLINOIS

CUSTOMER DRAWING  
 LS8 HEATSHRINK MARKERS  
 H\*\*\*X\*\*\*FIC

UNLESS OTHERWISE SPECIFIED,  
 DIMENSIONAL TOLERANCES ARE:  
 (.X) ± .03 (,XXX) ± .015  
 (.XX) ± .030 ANGLES ±

UNLESS OTHERWISE SPECIFIED,  
 ALL DIMENSIONS ARE GIVEN IN  
 INCHES, THIRD ANGLE PROJECTION

DRAWN BY: RVU      MAT'L: SEE TABLE.  
 DATE: 5-10-06  
 SCALE: FULL

DRAWING NO. C10410      DWG. SIZE B