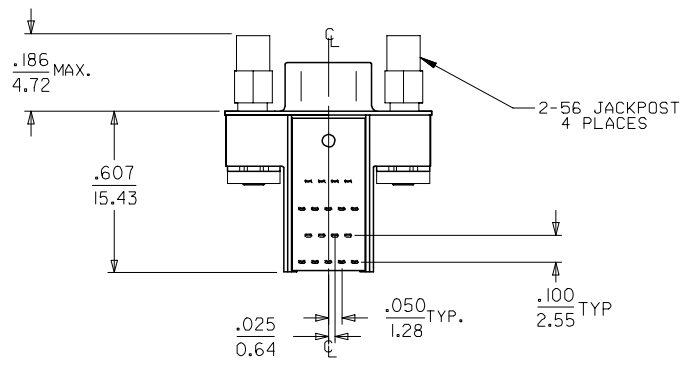
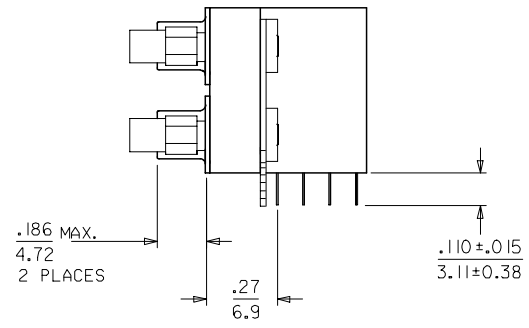
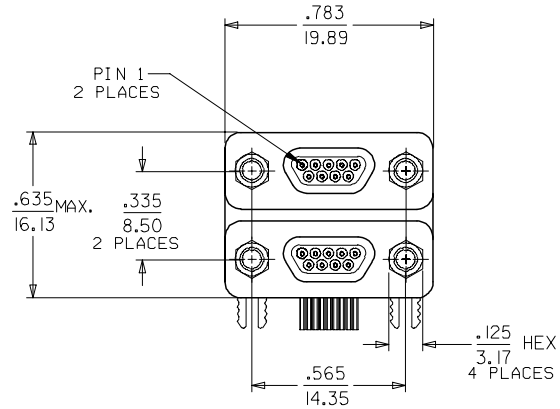


MATERIAL NO.	ENGINEERING NO.
836199003	83619-9003



SALES DRAWING

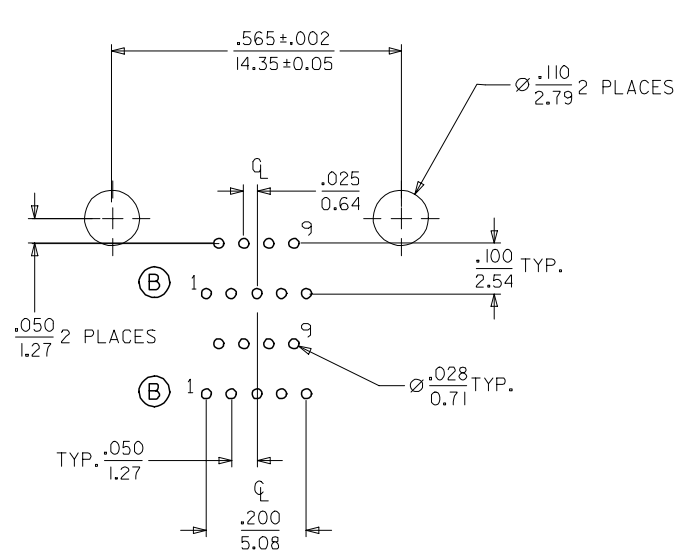
2. SEE SHEET 2 OF 2 FOR P.C.B. LAYOUT AND PANEL CUT-OUT DIMENSIONS.

1. MARKING: NONE.

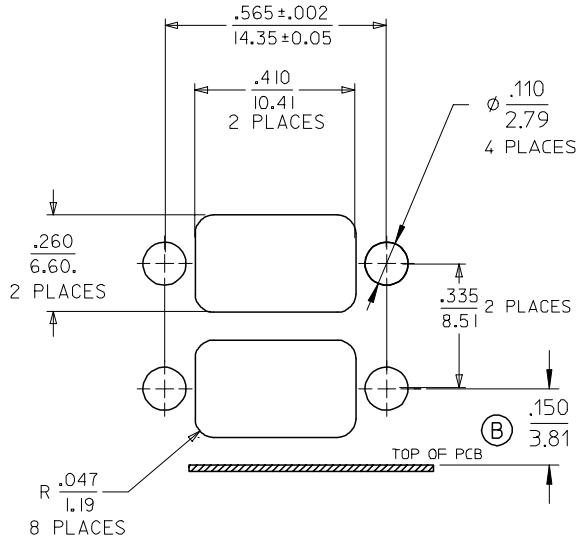
NOTES: UNLESS OTHERWISE SPECIFIED.

CHANGE ON SHEET 2 EC NO: ETC2005-0059 2004/09/28 DRAWN: JLOMASTR 2004/09/28 CHK'D: RDEROSS 2004/09/28 APPR: RDEROSS 2004/09/28	QUALITY SYMBOLS ▽=0 ▽=0	GENERAL TOLERANCES (UNLESS SPECIFIED)		DIMENSION STYLE IN/MM	SCALE NONE	DESIGN UNITS INCH	THIRD ANGLE PROJECTION	
		4 PLACES	± ---	± ---	DRAWN BY JLOMASTR	DATE 04/09/20	TITLE DUAL CONNECTOR PLUG COMM. MICRO D R/A SIZE 9	
		3 PLACES	± ---	± .005	CHECKED BY RDEROSS	DATE 04/09/27	MOLEX INCORPORATED	
		2 PLACES	± 0.13	± .01	APPROVED BY RDEROSS	DATE 04/09/29	MATERIAL NO. SEE CHART	DOCUMENT NO. SD-83619-008
1 PLACE	± 0.25	± ---	ANGULAR ± 1/2°		THIS DRAWING CONTAINS INFORMATION THAT IS PROPRIETARY TO MOLEX INCORPORATED AND SHOULD NOT BE USED WITHOUT WRITTEN PERMISSION			
DRAFT WHERE APPLICABLE MUST REMAIN WITHIN DIMENSIONS								

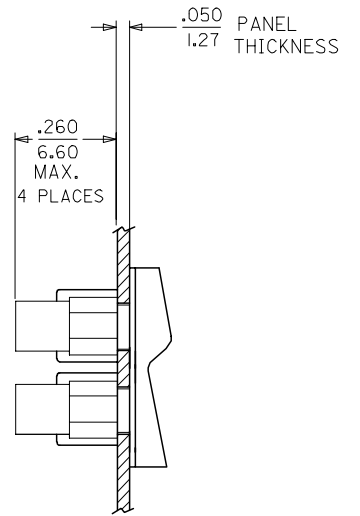
MATERIAL NO.	ENGINEERING NO.
836199003	83619-9003



RECOMMENDED
P.C.B. LAY-OUT
SOLDER SIDE (B)



RECOMMENDED
PANEL CUT-OUT



ADD HOLE LOCATION	EC NO: ETL2005-0059 DRAWN: JLOMASTR 2004/09/28 CHKD: RDEROSS 2004/09/28 APPR: RDEROSS 2004/09/28	DESCRIPTION	QUALITY SYMBOLS	GENERAL TOLERANCES (UNLESS SPECIFIED)	DIMENSION STYLE		SCALE	DESIGN UNITS	THIRD ANGLE PROJECTION
			▼=0 ▽=0		mm	INCH	NONE	INCH	
					4 PLACES ± --- ± ---	DRAWN BY	DATE	TITLE	
					3 PLACES ± --- ± .005	JLOMASTR	04/09/20	DUAL CONNECTOR PLUG COMM. MICRO D R/A SIZE 9	
2 PLACES ± 0.13 ± .01	CHECKED BY	DATE	MOLEX INCORPORATED						
1 PLACE ± 0.25 ± ---	RDEROSS	04/09/27							
ANGULAR ± 1/2°	APPROVED BY	DATE	MATERIAL NO.	DOCUMENT NO.	SHEET NO.				
DRAFT WHERE APPLICABLE MUST REMAIN WITHIN DIMENSIONS	RDEROSS	04/09/29	SEE CHART	SD-83619-008	1 OF 1				
REV	B		SIZE	THIS DRAWING CONTAINS INFORMATION THAT IS PROPRIETARY TO MOLEX INCORPORATED AND SHOULD NOT BE USED WITHOUT WRITTEN PERMISSION					