

Customer Information Sheet

DRAWING No.: M80-828XXXX

SHEET 2 OF 2

IF IN DOUBT - ASK

©

NOT TO SCALE

THIRD ANGLE PROJECTION

ALL DIMENSIONS IN mm

SPECIFICATIONS:

MATERIAL:
 MOULDING = POLYAMIDE 46 UL94V-0, BLACK
 CONTACTS = PHOSPHOR BRONZE
 LATCHES - BERYLLIUM COPPER

FINISH:
CONTACTS:
 06 = 3.0µ 90/10 TIN/LEAD ALL OVER
 22 = 0.75µ GOLD ON CONTACT AREA,
 3.0µ 90/10 TIN/LEAD ON TAILS
 42 = 0.75µ GOLD ON CONTACT AREA,
 3.0µ 100% TIN ON TAILS
 45 = 0.75µ GOLD ALL OVER
 46 = 3.0µ 100% TIN ALL OVER
 LATCH = 1.25µ NICKEL

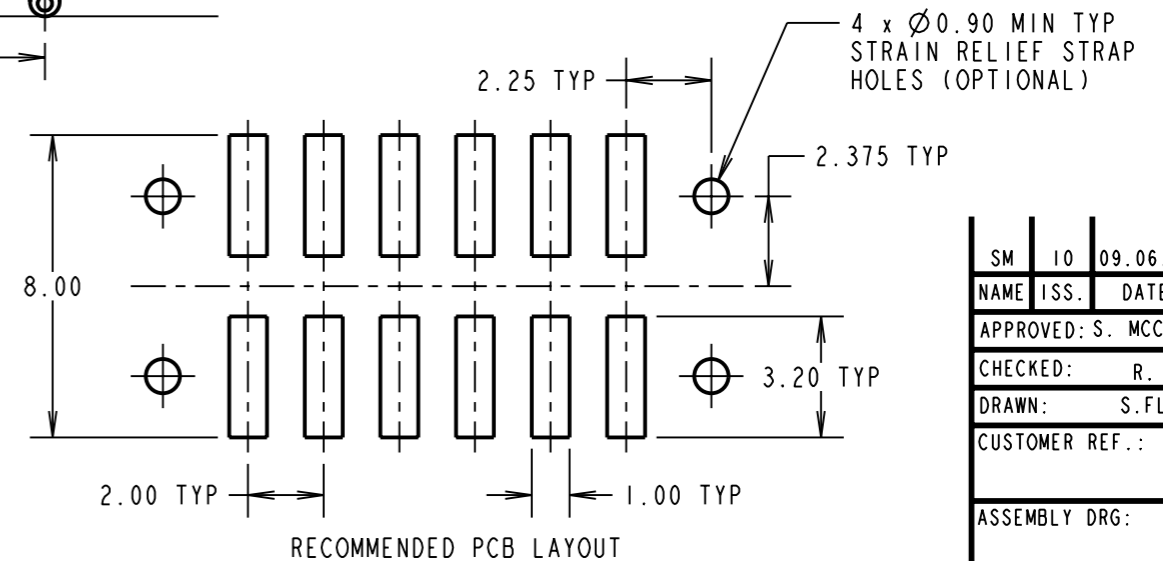
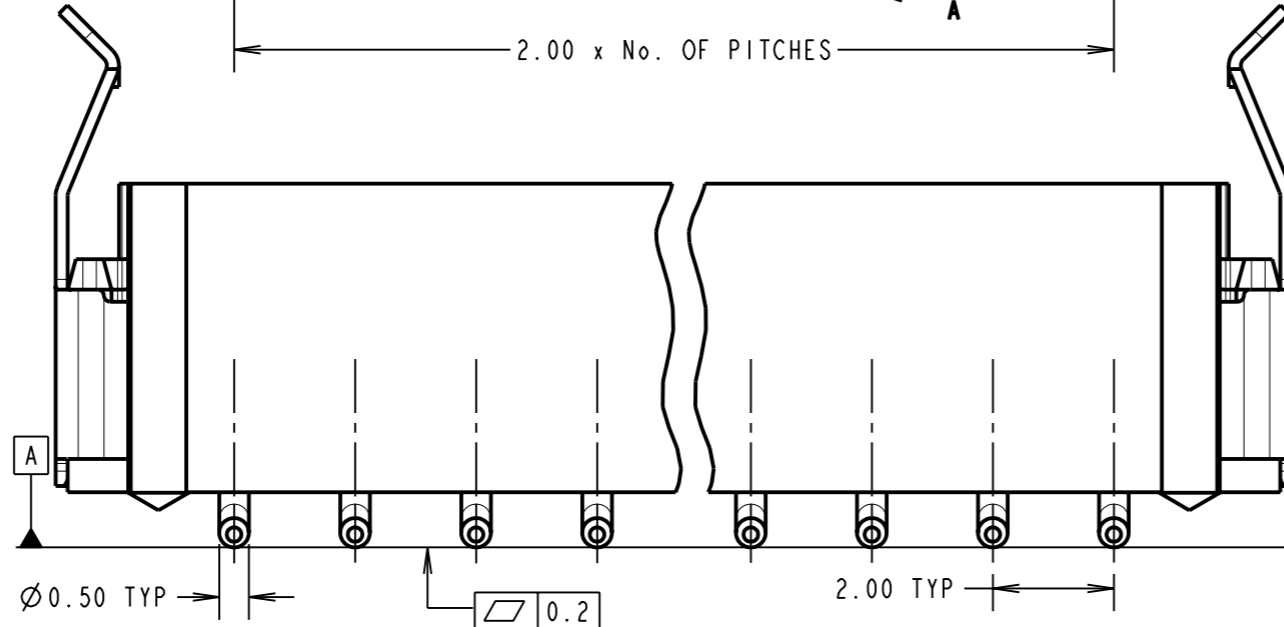
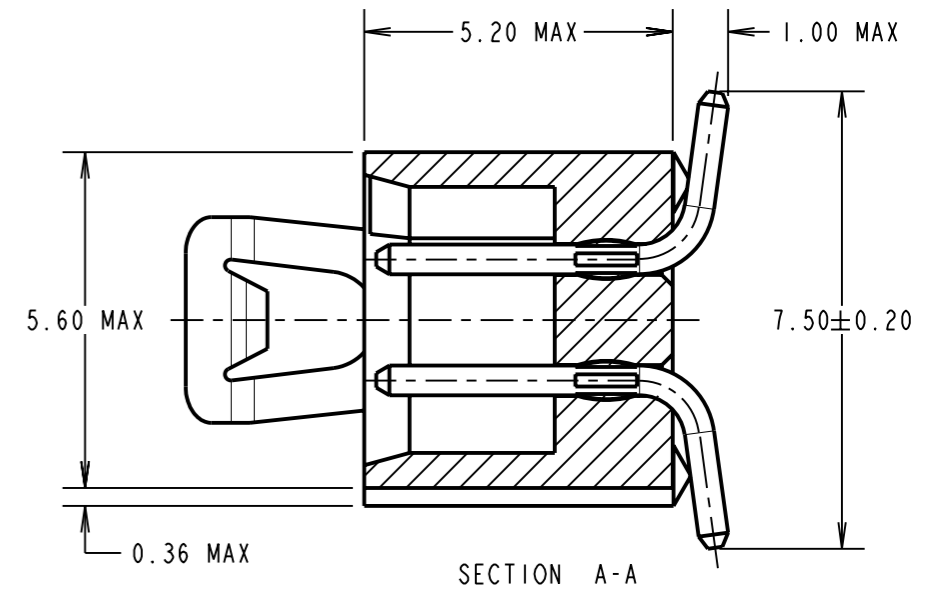
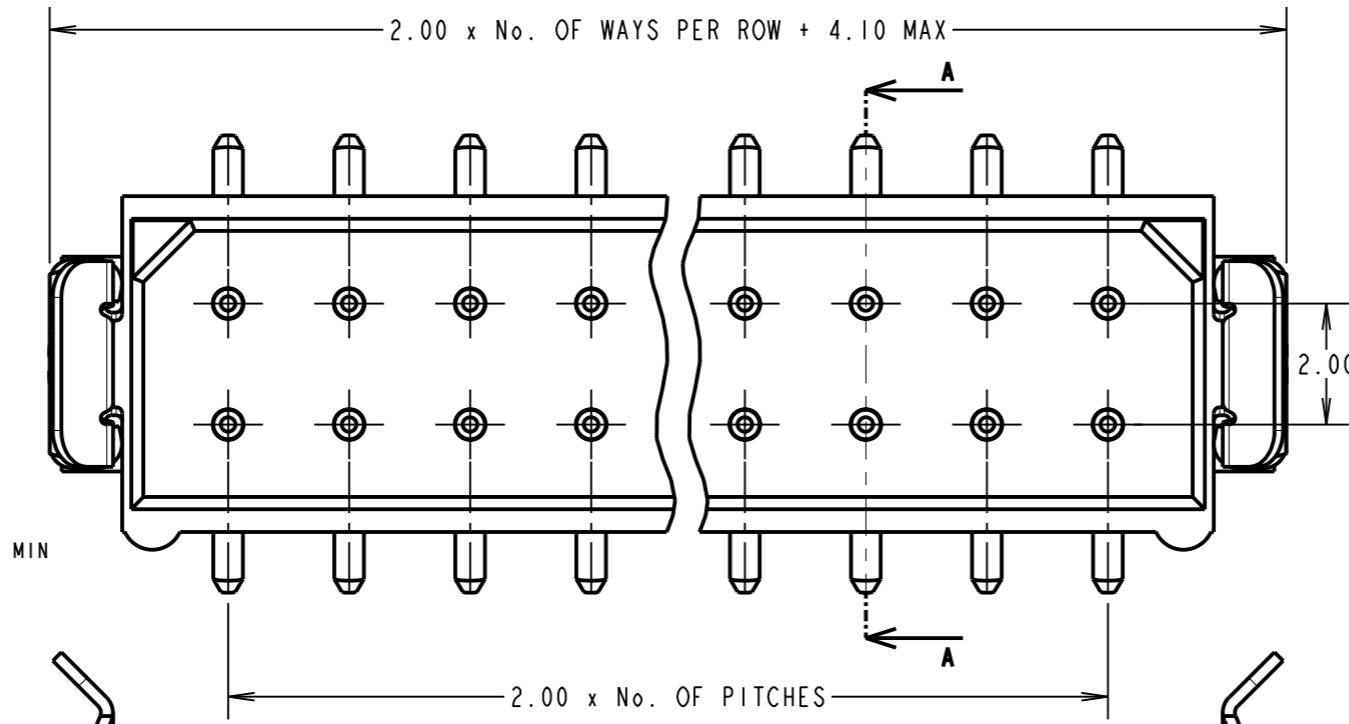
ELECTRICAL:
 CURRENT RATING AT 25°C = 3.0A MAX
 CURRENT RATING AT 85°C = 2.2A MAX
 WORKING VOLTAGE = 120V AC/DC
 VOLTAGE PROOF = 360V AC/DC
 CONTACT RESISTANCE (INITIAL) = 20 mΩ MAX
 CONTACT RESISTANCE (AFTER CONDITIONING) = 25 mΩ MAX
 INSULATION RESISTANCE (INITIAL) = 1,000 MΩ MIN
 INSULATION RESISTANCE (AFTER CONDITIONING) = 100 MΩ MIN

MECHANICAL:
 DURABILITY = 500 OPERATIONS

ENVIRONMENTAL:
 TEMPERATURE RANGE = -55°C TO +125°C

PACKING:
 TUBE

FOR COMPLETE SPECIFICATION, SEE COMPONENT SPECIFICATION C005XX (LATEST ISSUE)



NOTES:

1. 2-OFF STRAIN-RELIEF STRAPS M80-0030003 MAY BE USED WITH THIS CONNECTOR.

ORDER CODE:
M80-828XXXX

No. OF WAYS
 04, 06, 08, 10, 12, 14,
 16, 18, 20, 26, 34, 44

FINISH
 06 - TIN/LEAD
 22 - SELECTIVE GOLD + TIN/LEAD
 42 - SELECTIVE GOLD + 100% TIN
 45 - GOLD
 46 - 100% TIN

SM	10	09.06.10	10829
NAME	ISS.	DATE	C/NOTE
APPROVED: S. MCCULLAGH			
CHECKED: R. ADDE			
DRAWN: S.FLOWER			
CUSTOMER REF.:			
ASSEMBLY DRG:			

HARWIN			THIS DRAWING AND ANY INFORMATION OR DESCRIPTIVE MATTER SET OUT HEREON ARE CONFIDENTIAL AND COPYRIGHT PROPERTY OF THE HARWIN GROUP AND MUST NOT BE DISCLOSED, LOANED, COPIED OR USED FOR MANUFACTURING, TENDERING OR FOR ANY OTHER PURPOSE WITHOUT THEIR WRITTEN PERMISSION.	TOLERANCES X. = ±1mm X.X = ±0.25mm X.XX = ±0.10mm X.XXX = ±0.01mm ANGLES = ±5° UNLESS STATED	MATERIAL: M80-826XXXX (SEE ABOVE)	TITLE: DATAMATE DIL VERTICAL SMT PLUG ASSEMBLY - LATCHED
HARWIN USA TEL: 603 893 5376 FAX: 603 893 5396 mis@harwin.com	HARWIN Europe (UK) TEL: 023 9231 4545 FAX: 023 9231 4590 mis@harwin.co.uk	HARWIN Asia TEL: +65 6 779 4909 FAX: +65 6 779 3868 mis@harwin.com.sg		FINISH: SEE ABOVE S/AREA: mm ²	DRAWING NUMBER: M80-828XXXX	SHT 2 OF 2