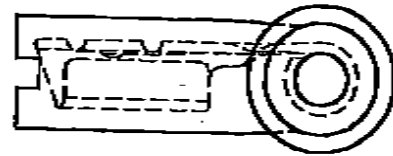


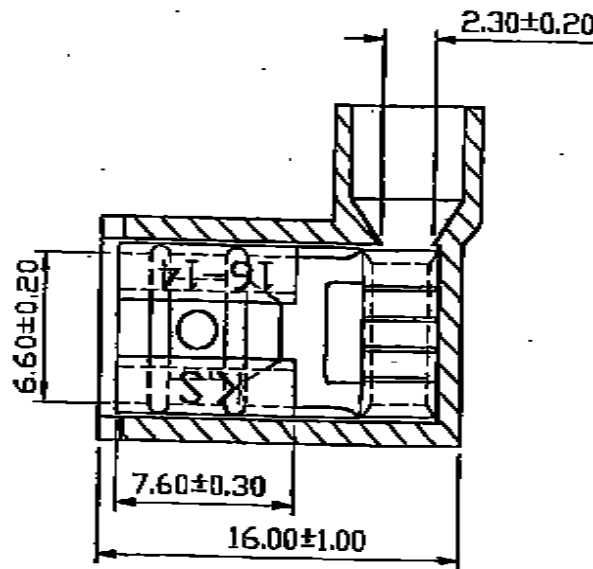
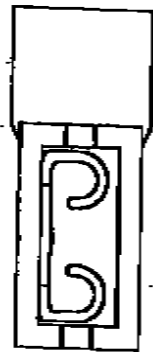


05/06/2004



NOTE:

1. MAXIMUM ELECTRIC CURRENT: 15 AMPERE
2. MAXIMUM ELECTRICAL RATING: 105°C 300 VOLTS MAX.
3. INSULATION MATERIAL: NYLON
4. INSULATION COLOR: BLUE
5. TERMINAL MATERIAL: BRASS
6. TERMINAL THICKNESS: 0.45mm
7. WIRE RANGE: 16-14 A.W.G. (LS-2.5mm<sup>2</sup>)
8. NEMA TAB: .032\*.250 (0.8\*6.35)



Tolerance Unless Otherwise Specified	
0	mm ±
>	mm ±
>	mm ±
>	mm ±
>	mm ±

ANGLE	
0°	REF ±
>	° ±
>	° ±

NAME	NYLON-INSULATED FLAG FEMALE DISCONNECTORS				UNIT	mm		
PART NO.	FLINY2-25D	NATURAL			APPROVE			
NUMBER	FIT-168	SCALE	SHEET	PAGE	CHECKED			
DATE	02/02/2001	3 : 1	1-1	1 OF 1	DRAWN			

**KST K.S. TERMINALS INC.**