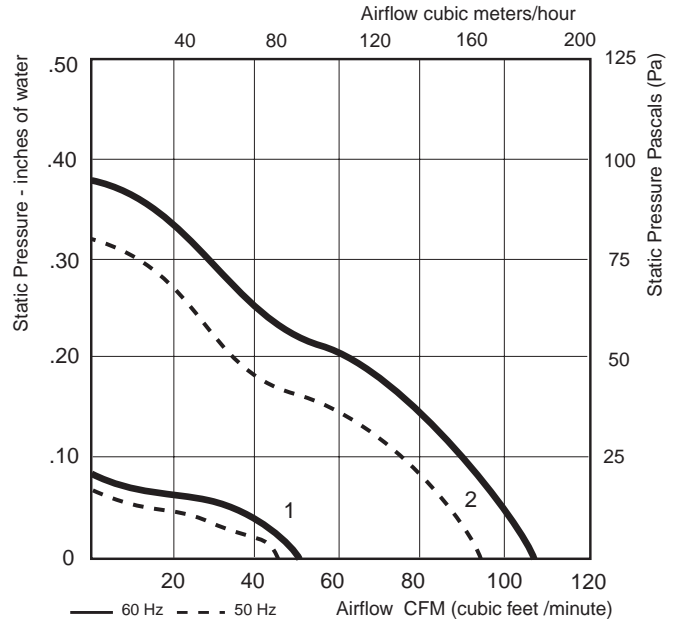
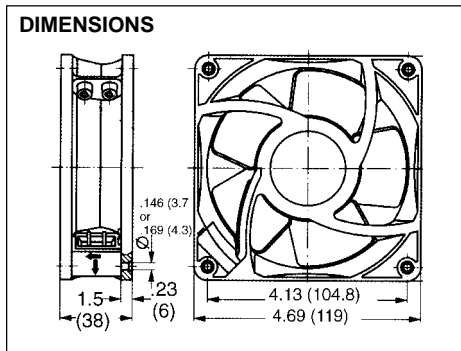


# 119 x 38mm (4.7" X 1.5") AC FAN

# 4000N & X Series

Terminals  
Air Intake – Over Struts



AVAILABLE WITH:

HIGH PERFORMANCE  
**SINTEC**  
SLEEVE BEARING SYSTEM

## 4.69" X 4.69" X 1.50" AC Fan, All Metal, Air intake – Over struts

| Curve | PART NUMBER    | Type of Bearing | AC Volts | Hertz | Watts | CFM @ 0" | dBA | Temp. Max °C | Wgt. (oz) | Features           | Approvals* |     |     |
|-------|----------------|-----------------|----------|-------|-------|----------|-----|--------------|-----------|--------------------|------------|-----|-----|
|       |                |                 |          |       |       |          |     |              |           |                    | UL         | CSA | VDE |
| 1     | <b>4840N**</b> | Sleeve          | 115      | 50/60 | 10    | 50       | 26  | 80           | 19        | Terminals          | √          | √   | √   |
| 1     | <b>4890N**</b> | Sleeve          | 230      | 50/60 | 10    | 50       | 26  | 80           | 19        | Terminals          | √          | √   | √   |
| 2     | <b>4600N</b>   | Sleeve          | 115      | 50/60 | 18    | 106      | 50  | 60           | 19        | Terminals          | √          | √   | √   |
| 2     | <b>4600X</b>   | Sleeve          | 115      | 50/60 | 18    | 106      | 50  | 60           | 19        | Terminals          | √          | √   | √   |
| 2     | <b>4600XP</b>  | Sleeve          | 115      | 50/60 | 18    | 106      | 50  | 60           | 19        | Terminals          | √          | √   | √   |
| 2     | <b>4650N</b>   | Sleeve          | 230      | 50/60 | 18    | 106      | 50  | 60           | 19        | Terminals          | √          | √   | √   |
| 2     | <b>4650X</b>   | Sleeve          | 230      | 50/60 | 18    | 106      | 50  | 60           | 19        | Terminals          | √          | √   | √   |
| 2     | <b>4606N</b>   | Ball            | 115      | 50/60 | 18    | 106      | 51  | 90           | 19        | Terminals          | √          | √   | √   |
| 2     | <b>4606X</b>   | Ball            | 115      | 50/60 | 18    | 106      | 51  | 90           | 19        | Terminals          | √          | √   | √   |
| 2     | <b>4656N</b>   | Ball            | 230      | 50/60 | 18    | 106      | 51  | 90           | 19        | Terminals          | √          | √   | √   |
| 2     | <b>4656X</b>   | Ball            | 230      | 50/60 | 18    | 106      | 51  | 90           | 19        | Terminals          | √          | √   | √   |
| 2     | <b>4660N</b>   | Sleeve          | 115/230  | 50/60 | 18    | 106      | 51  | 60           | 19        | 22 AWG 12.2" Leads | √          | √   | √   |
| 2     | <b>4624N</b>   | Sleeve          | 24       | 50/60 | 18    | 106      | 50  | 60           | 19        | Terminals          | √          | √   | √   |

\*\* 4840N and 4890N have air flow of air exhaust over struts.

NOTE: 4600XP has a 5 year warranty

\* UL yellow card E38324, CSA file 27697, VDE file 6617 (4600), 4621 (4650, 4850), 9989 (4606/08)

|                                    |   |   |
|------------------------------------|---|---|
| CONSTRUCTION MOUNTING & CONNECTION | <b>Mounting:</b> Either face using four .169" (4.3mm) holes (N versions) .146" (3.7mm) holes (X versions) | <b>Weight:</b> 19 ounces (550g)                         |
|                                    |   | <b>Housing:</b> Metal with metal impeller               |
|                                    |   | <b>Connection:</b> Terminals, .118" x .02" (3.0 x .5mm) |