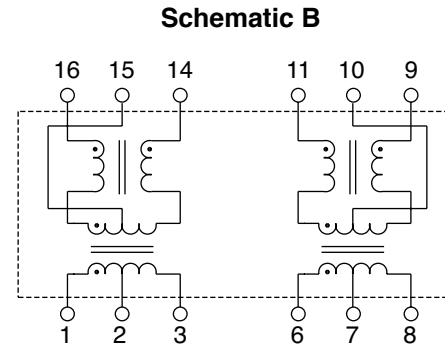
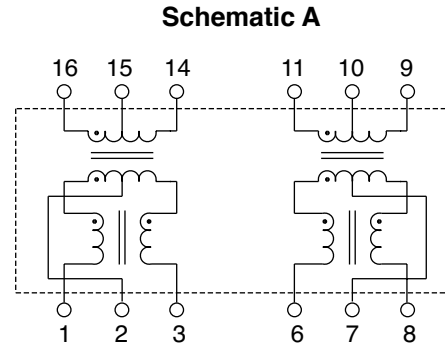
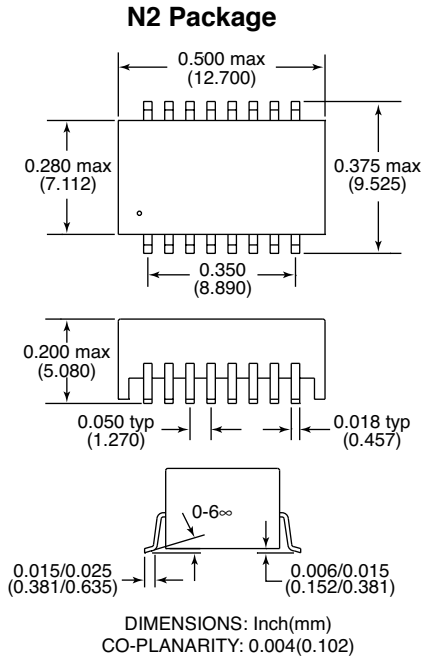


HALO ELECTRONICS, INC. ULTRA™ Series, 16 Pin SOIC 10/100BASE-TX Magnetic Modules

HALO Electronics has developed the ULTRA™ series of 16 pin SOIC Isolation Modules to meet the requirements of IEEE 802.3 for 10/100BASE-TX and ATM155 applications. Designed to provide a significant real estate reduction at the lowest price. Standard devices are available for all Phy's. Please visit our web site to select the correct device for the corresponding Phy.



Ultra™ Series, 16 Pin SOIC 10/100BASE-TX Magnetic Modules



Electrical Specifications @ 25°C

Isolation Voltage:	1,500Vrms
OCL @ 100KHz, 8mA:	350μH min
CMR (0.1-100MHz):	-40dB typ
Crosstalk (0.1-100MHz):	-40dB min
Insertion Loss (0.1-100MHz)	-1.1dB max
Return Loss (0.5-30MHz):	-18dB min
(40MHz):	-15.5dB min
(50MHz):	-13.6dB min
(60-80MHz):	-12dB min



Patented Construction

US Pat Nbrs: 5,656,985
6,297,721 B1
6,297,720 B1
6,320,489 B1
6,344,785 B1

Part Number	Turns Ratio ± 3% (1-3:16-14)/(6-8:11-9)	Circuit Schematic	PRI/SEC Cw/w (pF typ)	PRI LL (μH max)	PRI DCR (Ωmax)
TG110-S050N2RL	(1CT:1CT) / (1CT:1CT)	A	15	0.4	.9
TG110-S055N2RL	(1CT:1CT) / (1CT:1CT)	B	15	0.4	.9
TG110-S120N2RL	(2CT:1CT) / (1CT:1CT)	B	15	1.2	.9
TG110-S125N2RL	(1CT:1CT) / (2CT:1CT)	B	15	1.2	.9
TG110-S131N2RL	(√2CT:1CT) / (1CT:1CT)	B	15	0.9	.9
TG110-S139N2RL	(1.25CT:1CT) / (1CT:1CT)	B	15	0.9	.9
TG110-S141N2RL	(1CT:√2CT) / (1CT:1CT)	B	15	0.4	.9
TG110-S177N2RL	(1.41CT:1CT) (1.41CT:1CT)	B	20	0.6	.9

Please refer to individual datasheets for specific technical data.