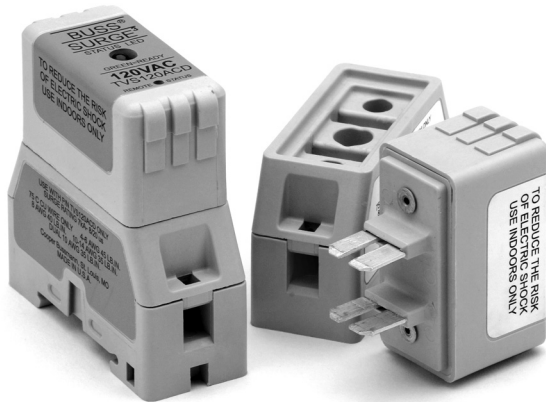


Bussmann® Surge³™

Transient Voltage Surge Suppressor



Catalog Symbol: TVS (voltage) (ac or dc) (Diode or Mov)

Voltage Rating: 12Vdc, 24Vdc, 48Vdc
120Vac, 240Vac

Agency Information: UL Recognized (UL 1449) for ac products
(UL 497B) for dc products
CSA Approved

Catalog Numbers :

TVS12DCD TVS24DCD TVS48DCD

TVS120ACD TVS120ACM TVS240ACD

TVS240ACM

Material Specifications:

Suppressor: Case: 20% glass filled PES (Polyethersulfone)
Terminals: 110 Copper
Terminal Plating: Electroless Tin

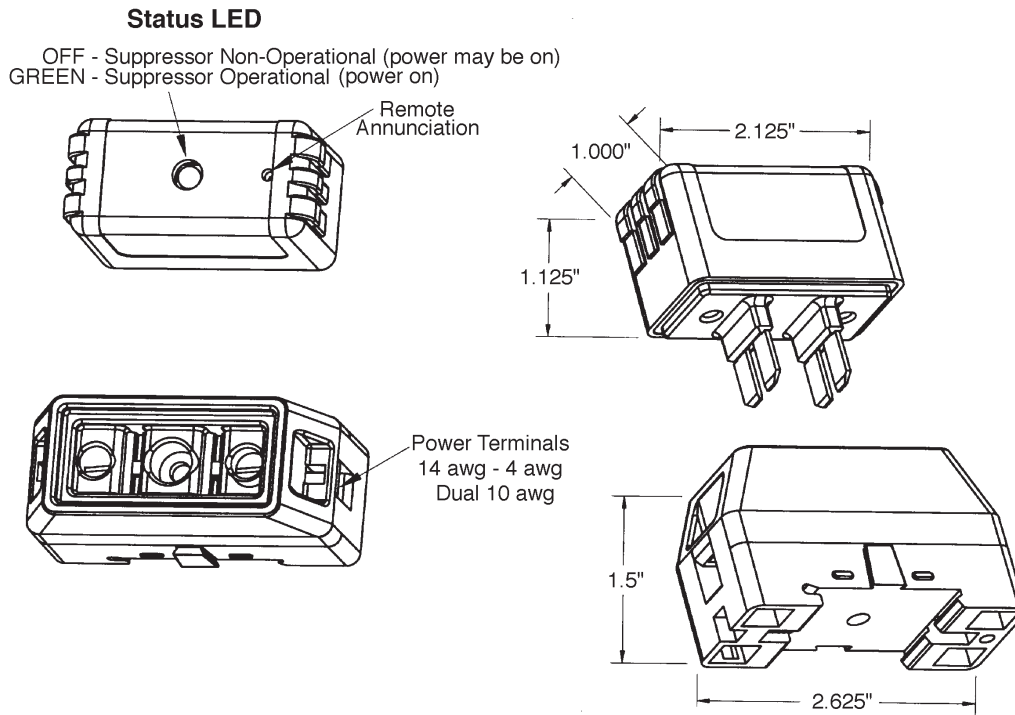
Holder: Case: 15% glass filled PBT (Polybutylene terephthalate)
Interface Clips: CDA 7025
Interface Clip Plating: Electroless Tin
Contact Lubricant: Fluoroether Grease
Box Lug: Copper
Din Rail Springs: Stainless Steel

Instructions and Specifications: Surge³ Surge Suppressor

Model	Voltage Application*	MCOV	Technology	SVR 500A, 8x20µs	Surge Current Rating	UL	Label Color
TVS12DCD	12Vdc	14Vdc	SASD	36Vdc	2kA	UL497B	Red
TVS24DCD	24Vdc	28Vdc	SASD	58Vdc	2kA	UL497B	White
TVS48DCD	48Vdc	57Vdc	SASD	90Vdc	2kA	UL497B	Black
TVS120ACD	120Vac	140Vac	SASD	330Vac	7kA	UL1449	Blue
TVS120ACM	120Vac	140Vac	MOV	500Vac	18kA	UL1449	Blue
TVS240ACD	240Vac	280Vac	SASD	600Vac	7kA	UL1449	Grey
TVS240ACM	240Vac	280Vac	MOV	800Vac	18kA	UL1449	Grey

Bussmann® Surge³™ Transient Voltage Surge Suppressor

TVS



Product Specifications:

1. All TVSS devices have non-polarized electrical connections as shown.
2. Suppressor Voltage Characteristics per chart.
3. Suppressor to provide non-interrupted service.
4. Enclosure material is 94VO flame and explosion resistant.
5. Product markings show manufacturer, part number and safety warnings as required.
6. Mechanical dimensions as noted.
7. Suppressor Status LED as shown.
8. Remote Suppressor Status contact face as shown, (contact pin provided), Live Electrical Power When TVSS Energized. *(Not available on 240V).*
9. AC units operate on either 50 or 60 Hz.