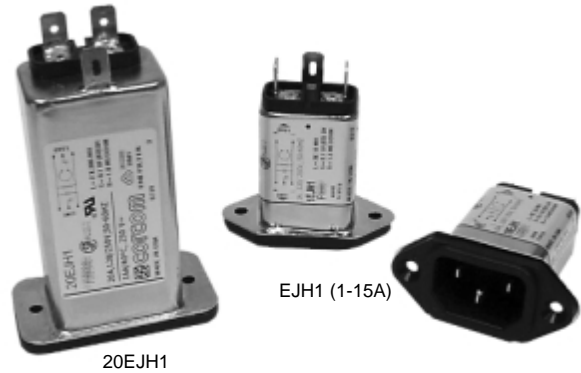


EJH Series



UL Recognized
CSA Certified
VDE Approved

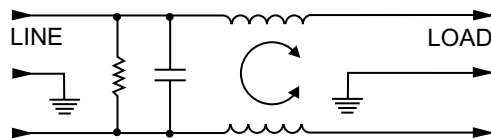


EJH Series

The new EJH series is the next generation of medical power inlet filters. The 1-15 amp versions are flange mounted and mechanically equivalent to the EAH/EBH series. The performance has been enhanced to meet the needs for more attenuation. The EJH also has an extended metal flange around the socket for improved high frequency EMI shielding as well as a larger contact area for the panel ground. These medical filters are designed to provide common and differential mode performance while maintaining the UL leakage requirements for medical and dental equipment.

The EJH series also includes a 20 amp version that uses the inlet IEC 320/C20. This product was designed to keep up with the demand for higher current equipment. Applications include higher current power supplies and computing equipment, which consist of work stations, base stations, servers, etc.

Electrical Schematic



Resistor location for reference only.

Specifications

- Maximum leakage current, each line-to-ground**
 - @ 120 VAC 60 Hz: 2µA
 - @ 250 VAC 50 Hz: 5µA
- Hipot rating (one minute):**
 - line-to-ground: 1500 VAC
 - line-to-line: 1450 VDC
- Operating frequency:** 50/60 Hz
- Rated voltage (max.):** 250 VAC
- Minimum insertion loss in dB:**
 - Line-to-ground in 50 ohm circuit

Current Rating	Frequency-MHz								
	.01	.05	.1	.15	.5	1	5	10	30
1A	13	26	33	36	41	41	31	26	18
3A	-	9	15	19	27	31	30	26	20
6A	-	2	6	9	20	22	31	20	18
10A	-	1	4	7	12	17	19	18	18
15A	-	-	1	2	3	3	4	2	2
20A	-	-	3	5	14	16	12	11	11

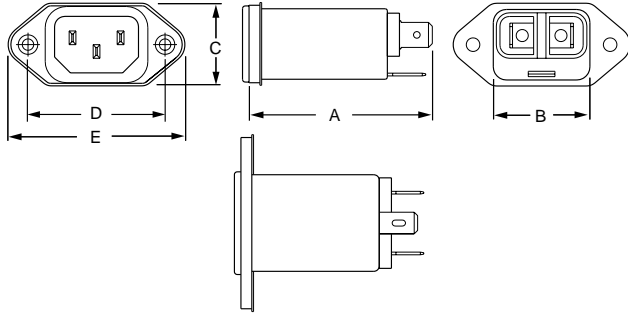
Line-to-line in 50 ohm circuit

Current Rating	Frequency-MHz								
	.01	.05	.1	.15	.5	1	5	10	30
1A	-	-	5	8	19	27	45	36	32
3A	-	-	5	8	17	23	31	32	30
6A	-	-	5	8	17	21	32	30	30
10A	-	-	5	8	17	22	32	30	30
15A	-	-	5	8	17	23	36	38	40
20A	-	-	5	8	19	24	35	33	28

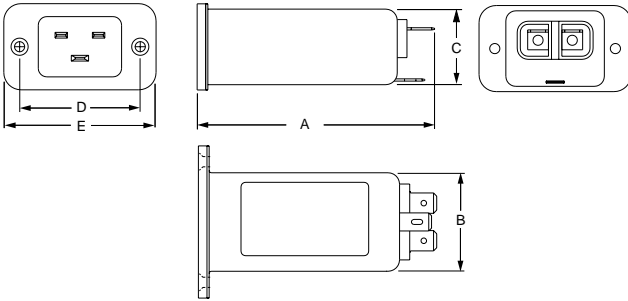
EJH Series

Case Styles

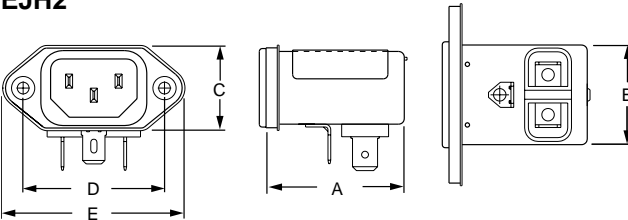
EJH1 (1-15 amp versions)



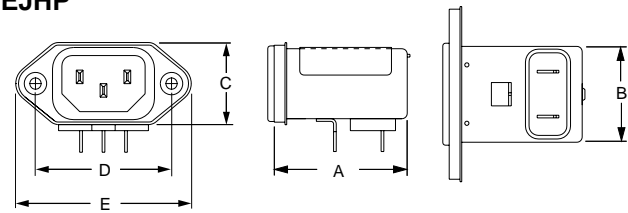
20EJH1



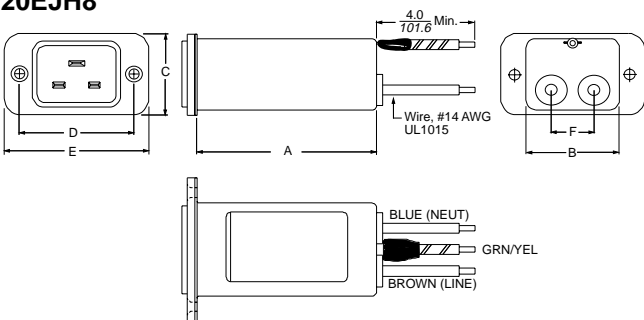
EJH2



EJHP



20EJH8



Case Dimensions

Part No.	A (max)	B (max)	C (max)	D $\pm .015$ $\pm .38$	E (max)	F (ref)
1EJH1, 3EJH1, 6EJH1, 10EJH1, 15EJH1	2.15	1.20	0.96	1.58	2.04	—
20EJH1	3.13	1.37	1.18	1.65	2.09	—
1EJH2, 3EJH2, 6EJH2, 10EJH2	1.54	1.13	0.96	1.58	2.04	—
15EJH2	1.79	1.13	0.96	1.58	2.04	—
1EJHP, 3EJHP, 6EJHP, 10EJHP	1.54	1.13	0.96	1.58	2.04	—
15EJHP	1.79	1.13	0.96	1.58	2.04	—
20EJH8	2.65	1.35	1.18	1.65	2.09	.62
	<i>67.31</i>	<i>34.29</i>	<i>29.99</i>	<i>42.01</i>	<i>53.00</i>	<i>15.75</i>

Part Numbers

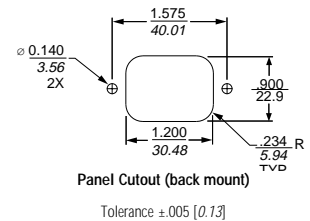
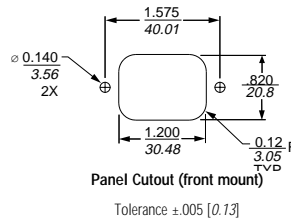
1EJH1	10EJH1
1EJH2	10EJH2
1EJHP	10EJHP
3EJH1	15EJH1
3EJH2	15EJH2
3EJHP	15EJHP
6EJH1	20EJH1*
6EJH2	20EJH8*
6EJHP	

Line Cord No. (1-15A)	GA400
Insulating Boot (1-15A)	FA601

*UL, CSA — 20 Amp; VDE — 16 Amp

Recommended Panel Cutouts

1 to 15A EJH - all terminal types
Front mount only applicable to type 1 terminals



20EJH

