

[Bild vergrößern](#)

Diese Abbildung steht stellvertretend für die Produktreihe

Marke	JAE
Hersteller-Teilenummer	C2781-FI-X30HL-KITASSY-300MM
Katalogseite	1
RoHS-Status	RoHS-Zertifikat ansehen

Technische Dokumente

Datenblatt

[FI Series Interface Connectors Data Sheet](#)

Seiten

Größe (kB)

1

344kB

Hinweis: Wenn Sie Probleme beim Laden des PDF-Dokuments haben, entfernen Sie das Häkchen



Eigenschaften

Attribut	Attribut Wert
Typ	Platine-zu-Kabel
Steckertyp	Büchse
Montage	Kabel
Ausrichtung	Gerade
Kontaktanzahl	30
Rastermaß	1mm
Anschlusstechnik	Crimp
Betriebstemperatur	-40 °C bis +80 °C
Nennstrom	1A

Beschreibung

LVDS-EntwicklungsKit

Zur Unterstützung der Prototypenentwicklung hat JAE eine Reihe an FI-Kits eingeführt, die über 2 x Crimp-Büchsenleistegehäuse mit Pre-Crimped Kabeln, 300 mm verfügen. Die Anzahl der integrierten Kabel korrespondiert mit der Anzahl der Kontakte im Gehäuse.

Produktgruppen-Information

LVDS-Bereich

Die FI-Familie wurde für Platine-zu-Kabel-Anwendungen entwickelt und verfügt über die elektrische Leistung zur Unterstützung der Übertragung von Low Voltage Differential Signalling (LVDS). Mit dem zunehmenden Einsatz von digitalen Technologien in Produkten erfüllt die FI-Familie die Anforderung an interne Signale für Produkte wie LCD, PDP, Rear Projection und andere Produkte, die LVDS einsetzen.

• Kompatibel mit Hochgeschwindigkeits-Differenzialübertragung (90 bis 100 Ω)

Abgeschirmte Versionen bieten verbesserte EMI

Die Version mit Riegel bietet verbesserte mechanische Rückhaltekraft bei Vibrationen

FI-R wurde von VESA als Standard-LVDS-Steckverbinder für die LCD-Schnittstelle ausgewählt

LCD Interface Connector, FI Series

? ? ?

Connector

GENERAL: This LCD Interface connector is designed to be used for high-resolution LCD (XGA, SXGA). Both Single row connector and double row connector make it possible to high and miniature packaging, to cope with requests of narrower LCD flange and Low profile.

FEATURES:

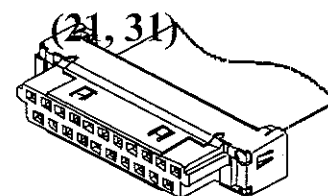
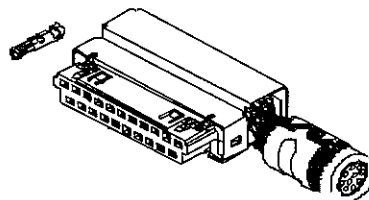
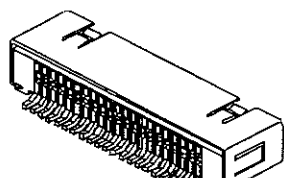
- ? 1.25mm staggered contact spacing, 21 contact connector & 31 contact connector of double rows, and 20 contact connector of single row.
- ? 3.7mm high Pin Header
- ? Usable for both Discrete wire and FPC. (mated to same pin header)
- ? Two pin header versions are available: Pin header without Shell, and Pin Header with Shell which is superior in High frequency performance.
- ? Both pin header versions are mounted in the identical PCB foot pattern.
- ? It is designed to impedance-match with LVDS, PanelLink™
- ? Applicable wire: #28 ~ #32 AWG
- ? Applicable FPC: 0.14mm thick

CONNECTOR CONFIGURATIONS:

[PIN SIDE] (21, 31)

[SOCKET SIDE] (21)

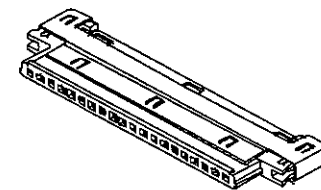
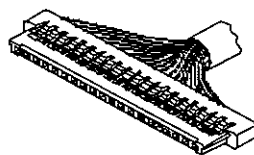
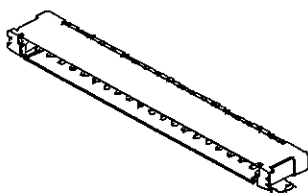
(21, 31)



(Pin Header with Shell)

Cable type Connector with Shell

(FPC type Connector with Shell)



Cable type Connector without Shell

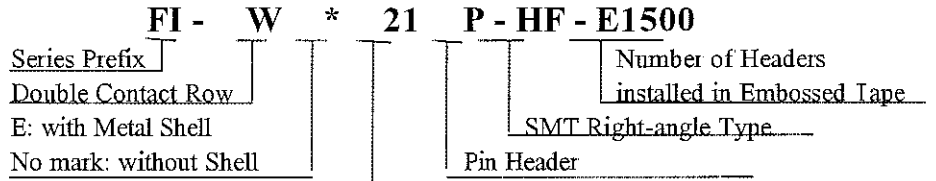
GENERAL SPECIFICATIONS:

MATERIALS & FINISHES:

Number of contacts	20, 21, 31	Component	Material & Finish
Contact Spacing, Connecting side	1.25mm	Insulator	Pin side: PPS (UL94V-0, Black) Socket side: Glass-filled 66 Nylon/PBT (UL94V-0, Black)
Terminal side	0.625mm	Pin Contact	Copper Alloy
Rated current	1A per contact	Connecting Area:	0.1µ min. Gold over Nickel plated
D. W. V.	500 VAC r.m.s.	Lead Area:	SnPb plated
Insulation Resistance	100M 0 min.	Socket Contact	Phosphor Bronze
Contact Resistance	m0 max.		0.1µ min. Gold over Nickel plated
Cycles Office Environment:	50 cycles	Hold-down	Copper Alloy, Tin over Nickel plated
Operating Temperature	-40 ~ +80?		

HOW TO ORDER:

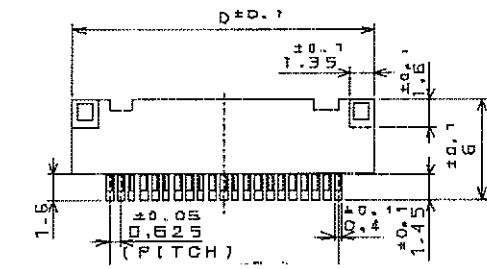
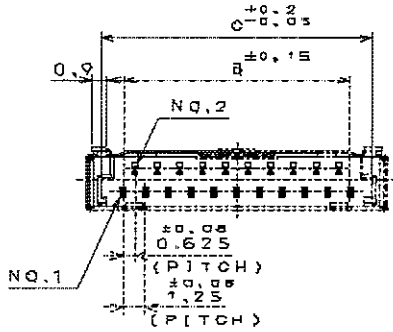
● PIN HEADER:



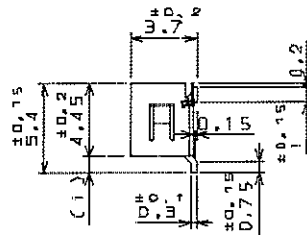
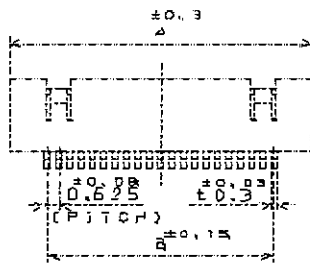
[PIN HEADER WITH SHELL] Unit: mm

Unit: mm

Number of contacts

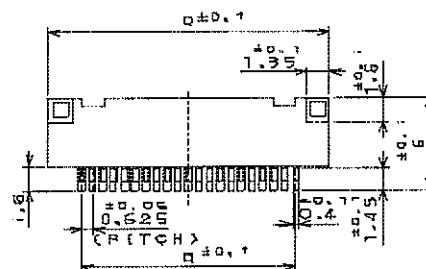
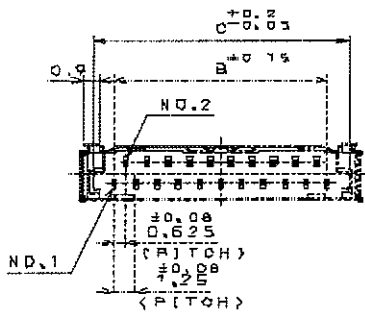


PCB Pattern Dimensions (Ref)



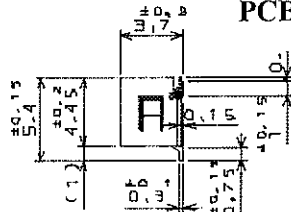
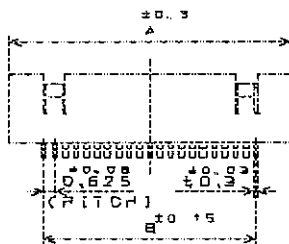
Dimension	A	B	C	D
21 contacts	16.55	12.5	15	16.5

[PIN HEADER WITHOUT SHELL] Unit: mm



基板パターン寸法(参考)

PCB Pattern Dimensions (Ref)



Dimension	A	B	C	D
21 contacts	16.1	12.5	15	16.5

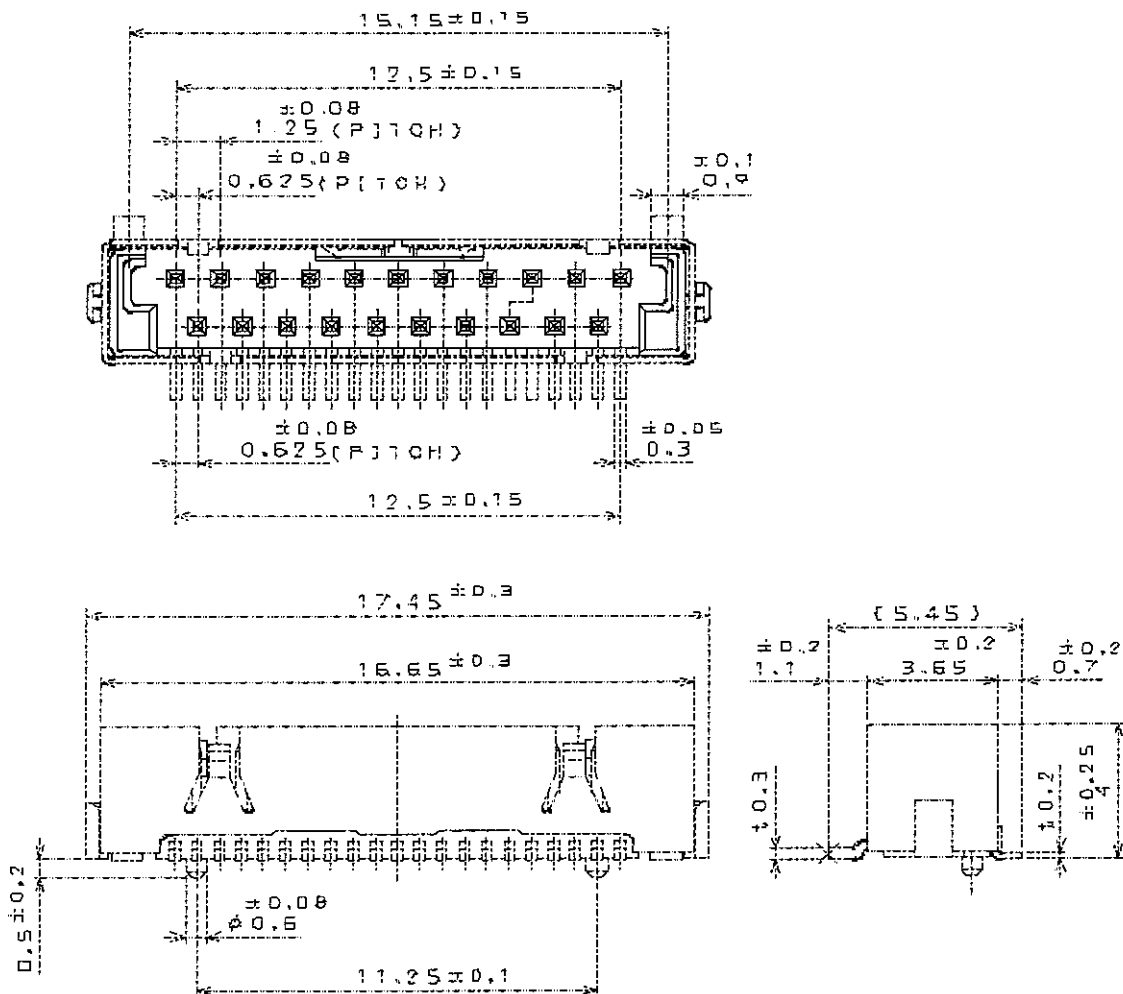
HOW TO ORDER:

● PIN HEADER:

FI	-	W	*	21	P	-	HF	-	E1500
Series Prefix		Double Contact Row		Number of contacts	Number of Headers installed in Embossed Tape		SMT Straight Type		
E: with Metal Shell		No mark: without Shell			Pin Header				

[STRAIGHT PIN HEADER]

Unit: mm



HOW TO ORDER:

● **SOCKET HOUSING:**

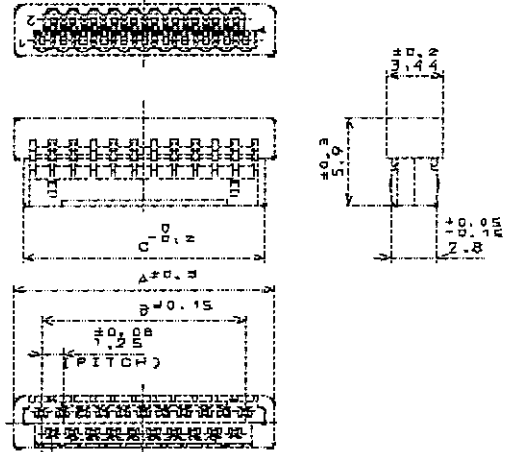
FI - W * 21 *

Series Prefix
 Double Contact Row
 E: with Metal Shell
 No mark: without Shell

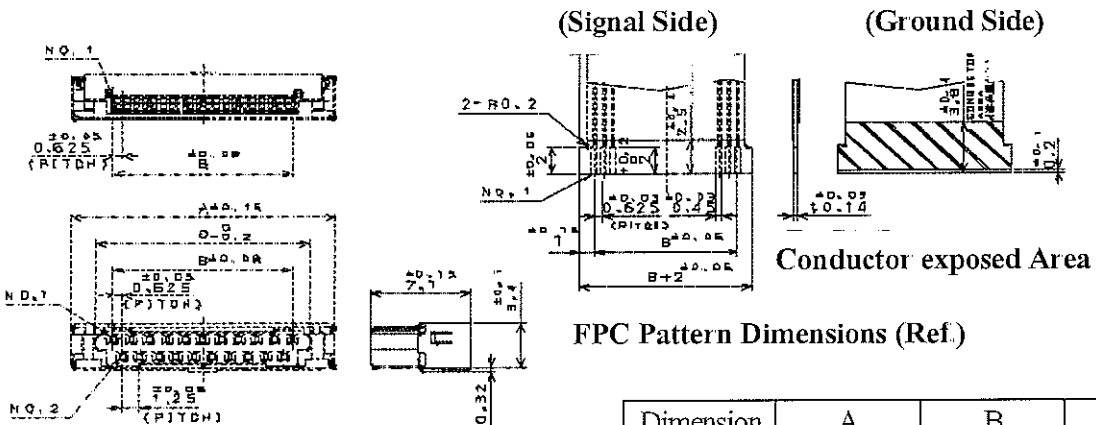
S: Socket Housing
 M: FPC Connecting Type
 Number of contacts

[SOCKET HOUSING] Unit: mm

Dimension	A	B	C
21 contacts	16	12.5	14.9

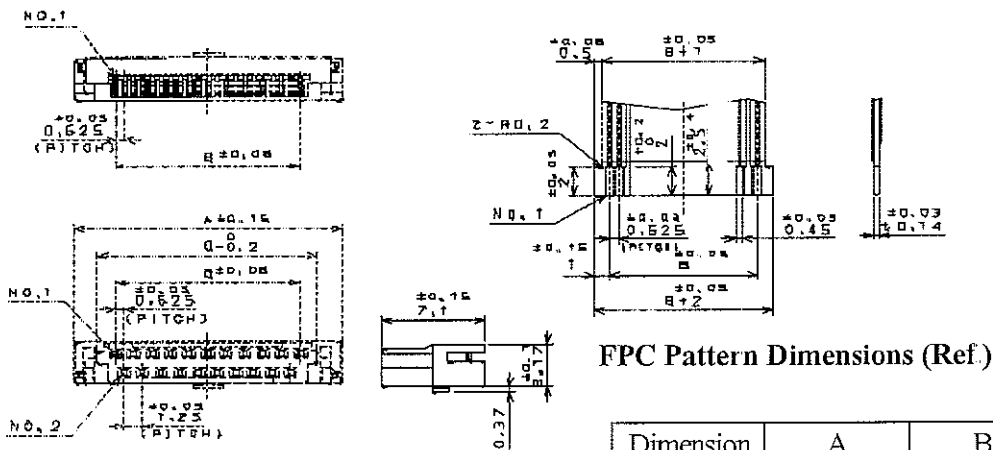


[FPC CONNECTING TYPE] [WITH SHELL] Unit: mm



Dimension	A	B	C
21 contacts	18.5	12.5	14.9

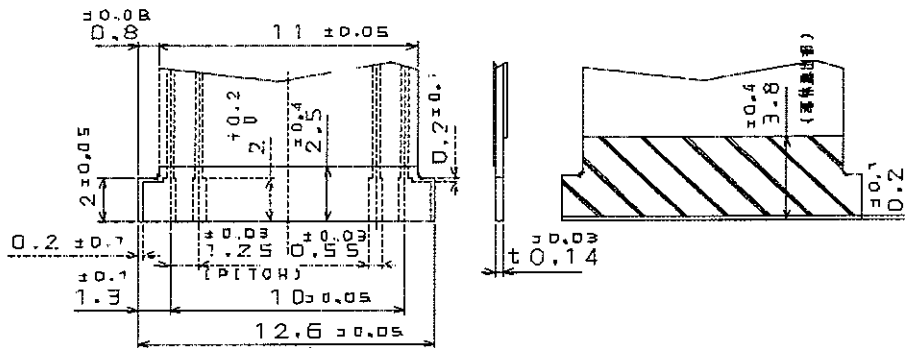
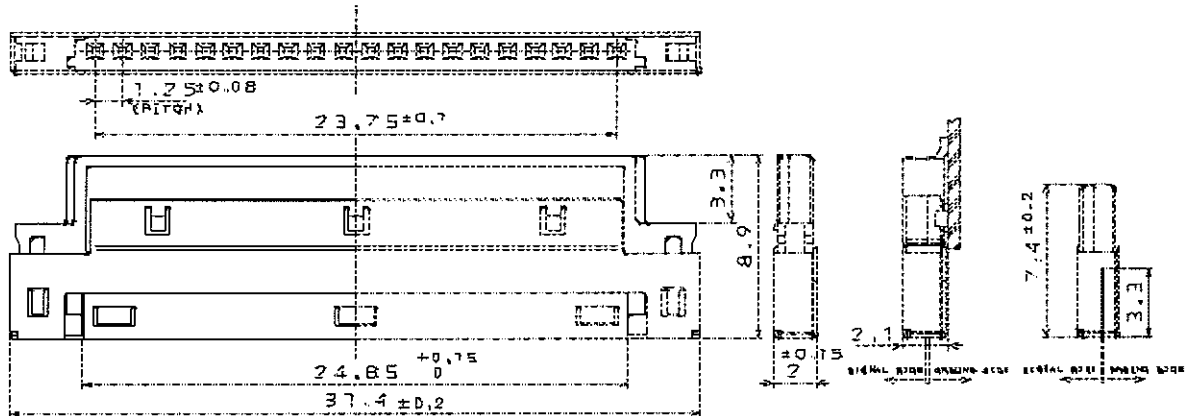
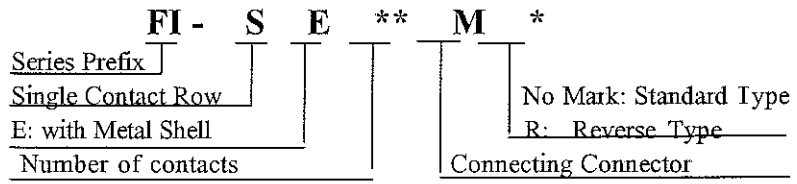
[WITHOUT SHELL] Unit: mm



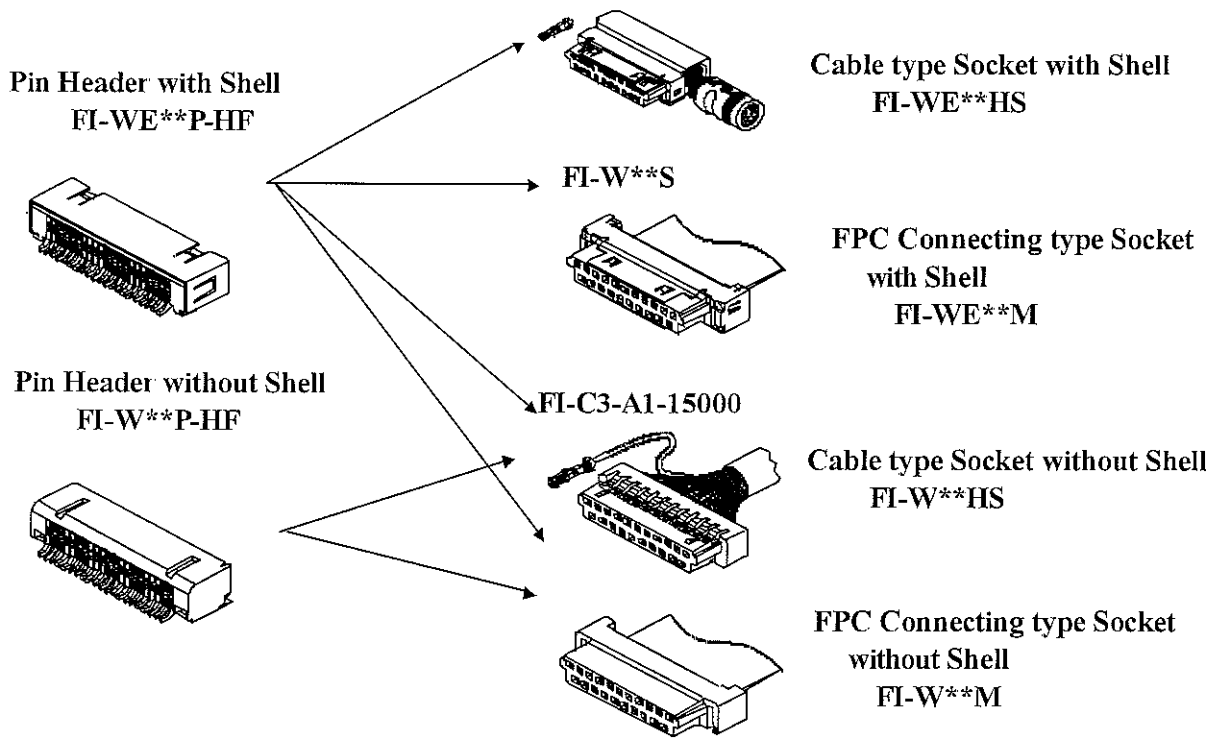
Dimension	A	B	C
21 contacts	18.1	12.5	14.9

HOW TO ORDER:

● PIN HEADER:



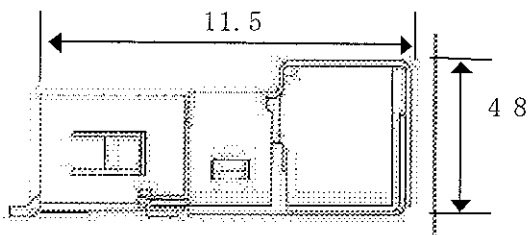
MATING COMBINATION:



Mating Dimensions with Shell

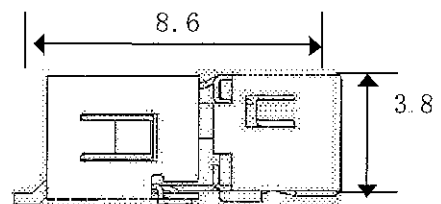
< Cable Type >

Mated width: 11.5mm, Height: 4.8mm



< FPC Type >

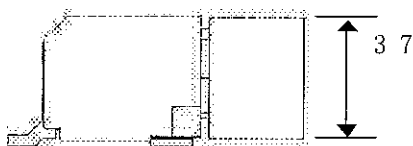
Mated width: 8.6mm, Height: 3.8mm



Mating Dimensions without Shell

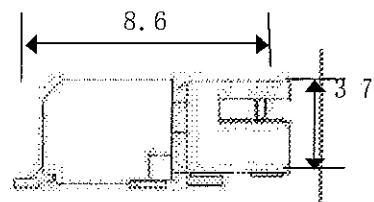
< Cable Type >

Mated width: 7.4mm, Height: 3.7mm



< FPC Type >

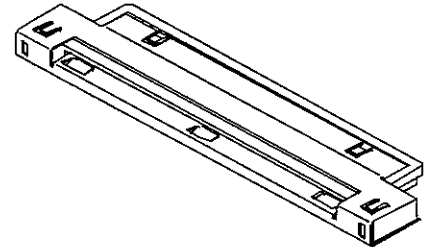
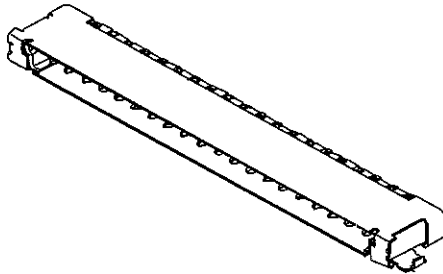
Mated width: 8.6mm, Height: 3.7mm



MATING COMBINATION:

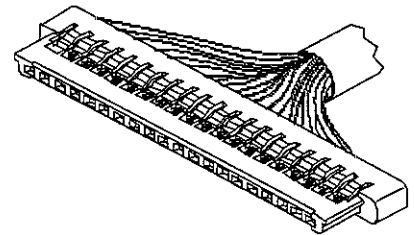
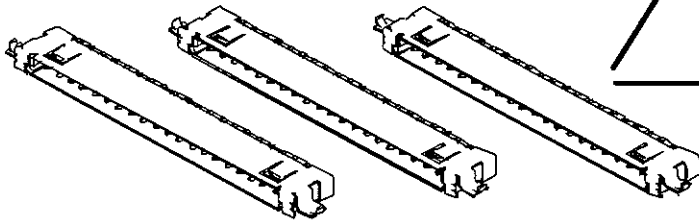
**PIN HEADER WITH SHELL
FI-SE**P-HF**

**FPC CONNECINTG TYPE
CONNECTOR WITH SHELL
FI-SE**P-HF**

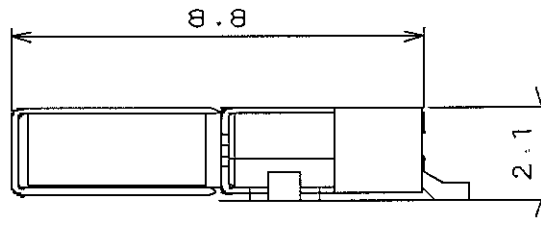


FI-SEB-P-HF****

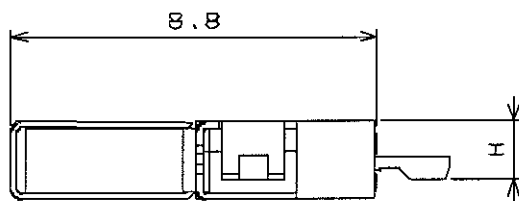
**CABLE TYPE CONNECTOR
WITHOUT SHELL
FI-S**S**



MATED DIMENSION WITH SHELL **MATED WIDTH: 8.8mm**
HEIGHT: 2.11mm



MATED DIMENSION WITHOUT SHELL **MATED WIDTH: 8.8mm**
HEIGHT: H mm



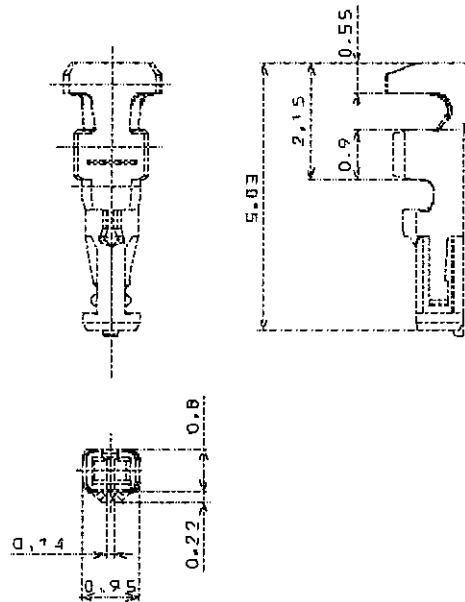
	H
FI-SEB20P-HF	1.4
	8
FI-SEB20P-HF13	1.3
FI-SEB20P-HF10	1.0

HOW TO ORDER:

●SOCKET CONTACT: Unit: mm

Series Prefix	FI - C3	Number of Contacts in a reel	A1 - 1500
Applicable Wire		Gold over Nickel plated	

Applicable Wire: #28~ #32 AWG
 Insulated Outer Diameter: 0.45mm diameter ~ 0.9mm diameter
 Semi-Automatic Crimping Machine: CT350-2-F1
 Applicator for Semi-Automatic Crimping Machine: 350-FI-2
 Applicator for Full-Automatic Crimping Machine: 350-FI-3B
 Handy Crimping Tool: CT150-4-FI



圧着部は除く

Excluded Crimped Area

[CABLE HARNESS]

Consult us for Cable Harnessing.

Notice: Products shown in this leaflet are made for the applications listed below. However, if the above-mentioned products are to be used in aerospace devices, marine cable-connection devices, atomic power control systems, medical equipment for life-support systems, or any other specific application requiring extremely high reliability, please contact JAE for further information.

Recommended applications: Computers, Office machines, Measuring devices, Telecommunication devices (Terminals, Mobile devices), AV devices, Household applications, FA devices, etc.

JAE Europe Ltd

Coliseum Business Centre, Riverside Way, Camberley, Surrey, GU15 3YL, England

Tel: +44 (0) 1276 404000 Web: www.jae-europe.com Email: sales:jae.co.uk

Subject to change without notice.

Consult JAE for latest design & specifications.