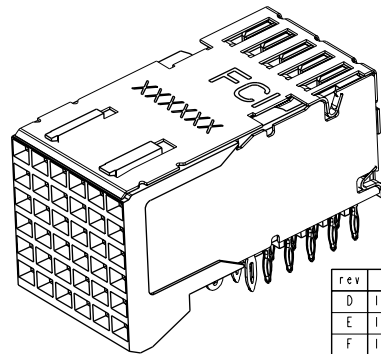
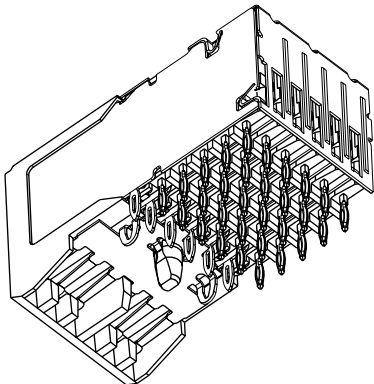
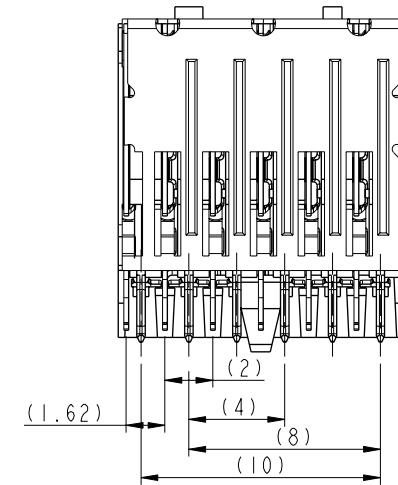
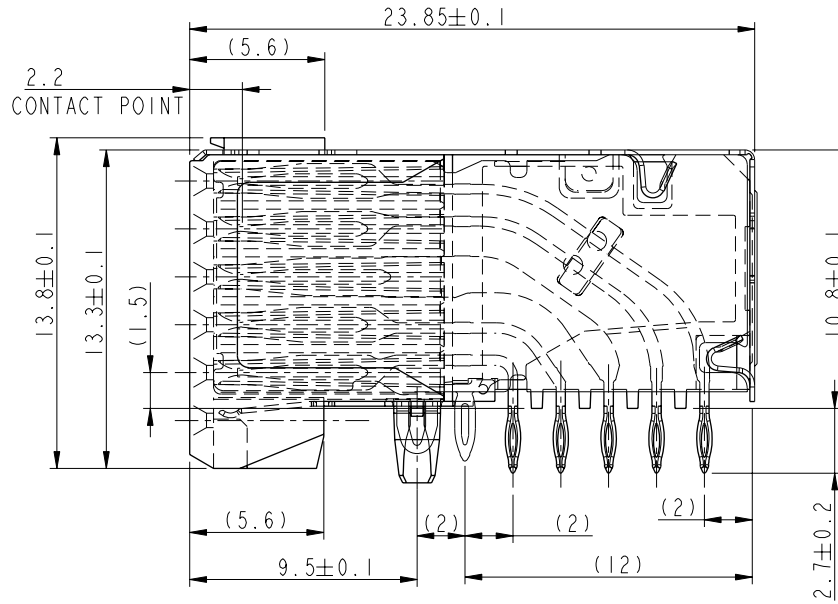
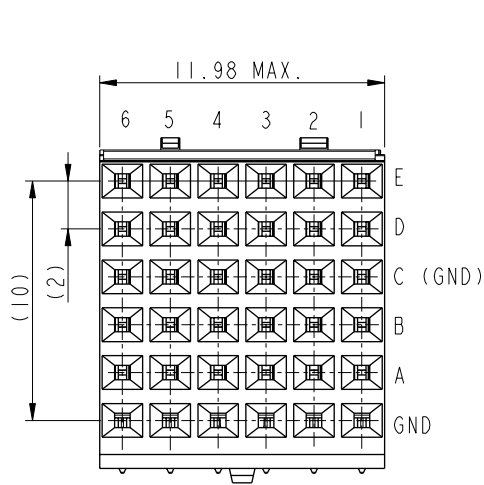


Product-number	Plating Performance Level	Application
52057-102	TELCORDIA CO	Standard
52057-102LF	TELCORDIA CO	Lead Free
52057-302	Customer Special	Standard
52057-302LF	Customer Special	Lead Free



rev	ecn no	dr	date
D	103-0001	BKP	2003-04-22
E	103-0048	BKP	2003-10-11
F	104-0008	BKP	2004-02-06
G	105-0144	AB	2005-08-23
H	106-0107	AB	2006-07-18
J	V07-0437	AB	2007-08-10

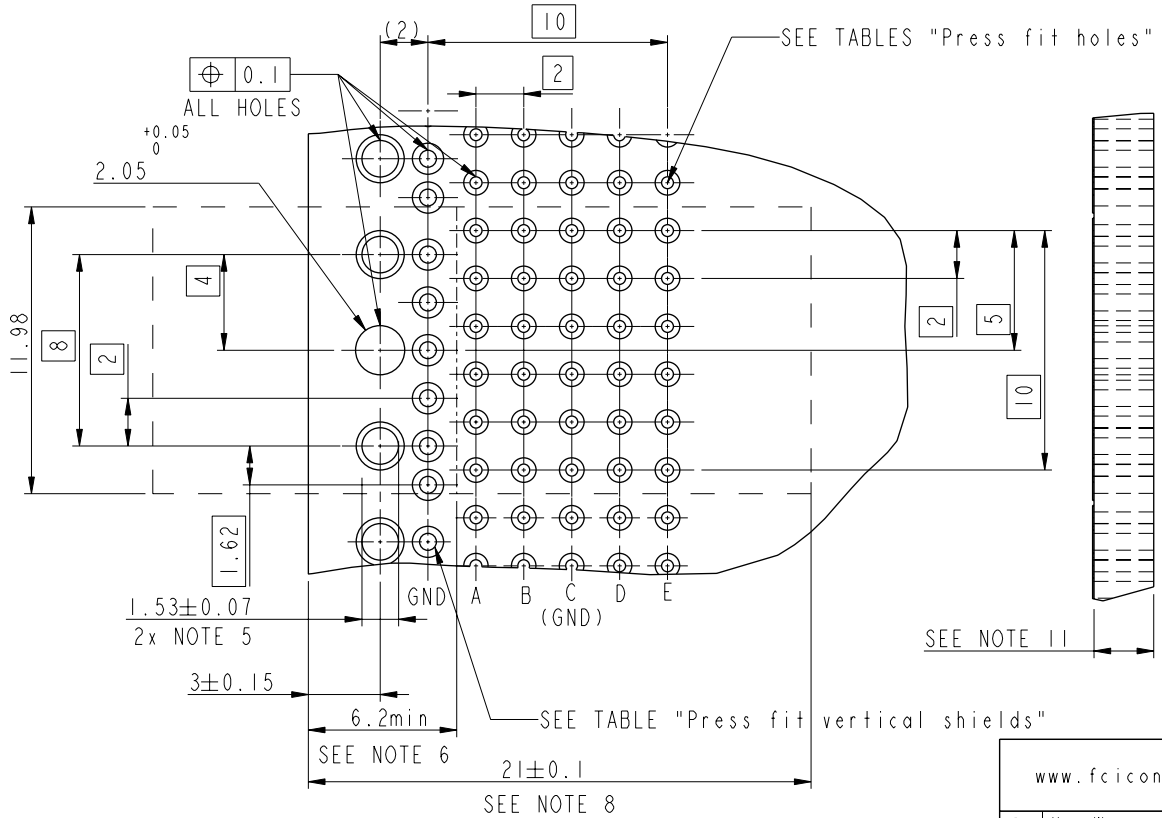
www.fciconnect.com		surface - ✓	tolerance std	projection	mm
		ISO 1302	ISO 406 ISO 1101	⊕	
TOLERANCES UNLESS OTHERWISE SPECIFIED					
Dr	H v Woensel	2001-08-17	ANGULAR	0.X	±0.3
Eng	H v Woensel	2001-08-17	LINEAR	0.XX	±0.1
Chr	R Oerlemans	2001-08-17	0° ±2°	0.XXX	±0.05
Appr	H v Woensel	2001-08-17	Product family	METRAL 4000	Spec ref
Title				5x6 Receptacle	Rev.
Signal Assembly				52057C	J
catalog no				CUSTOMER COPY	sheet 1 of 3



Copyright FCI.

REV F - 2006-04-17

	Signal PTH Details			Vertical Shield PTH Details	
	SnPb Finish	Sn Finish	Cu Finish	SnPb Finish	Sn Finish
Drilled Hole	0.58 - 0.62 mm	0.58 - 0.62 mm	0.58 - 0.62 mm	0.81 - 0.86 mm	0.81 - 0.86 mm
Copper Plating	25 - 50 μ m	25 - 50 μ m	25 - 50 μ m	25 μ m MIN	25 μ m MIN
SnPb Plating	5 - 15 μ m	-----	-----	5 - 15 μ m	-----
Sn Plating	-----	0.8 - 1.2 μ m	-----	-----	0.8 - 1.2 μ m
Finished Hole Dia	0.45 - 0.55 mm	0.46 - 0.55 mm	0.48 - 0.57 mm	0.65 - 0.80 mm	0.65 - 0.80 mm

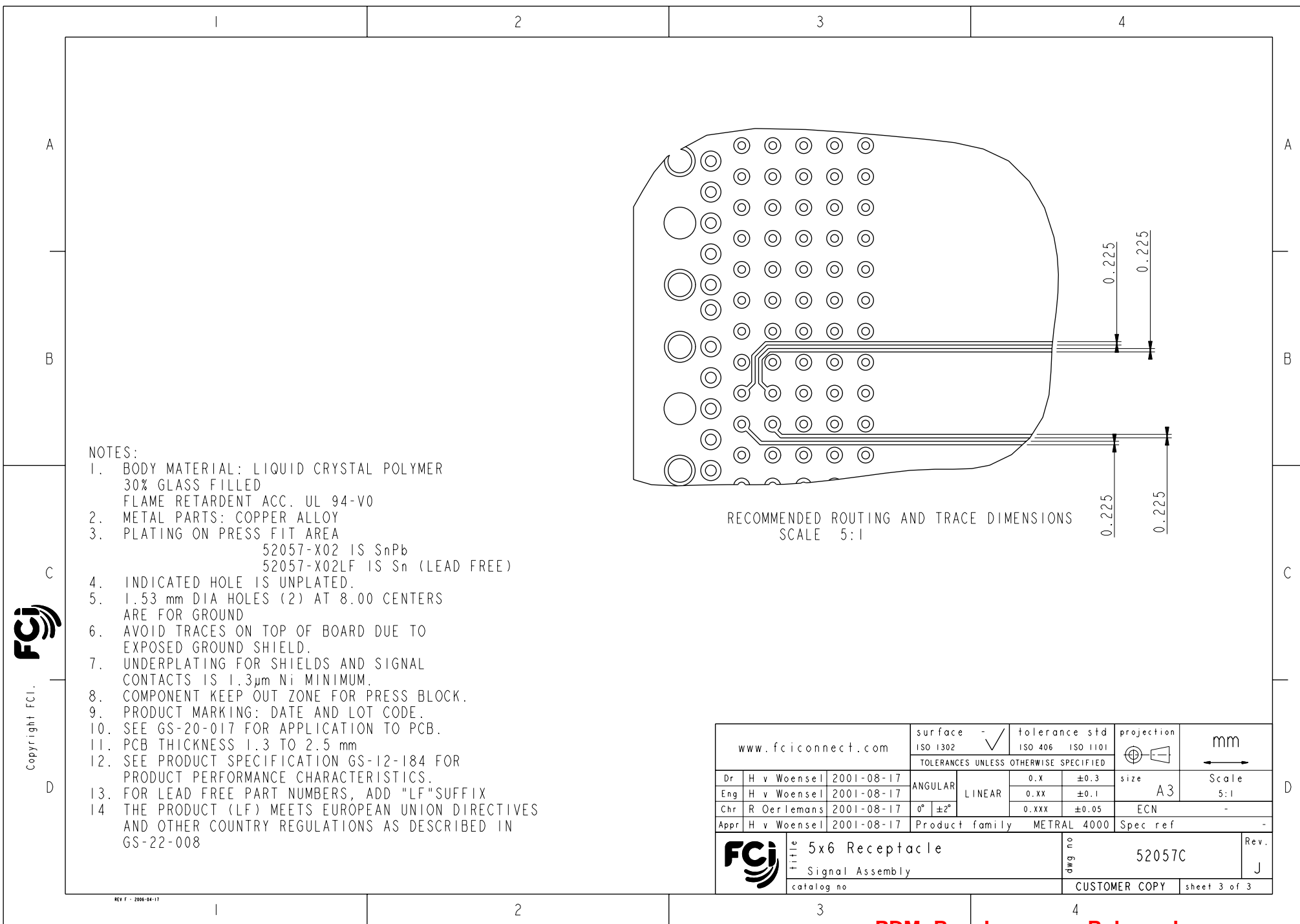


RECOMMENDED PCB HOLE PATTERN - COMPONENT SIDE

www.fciconnect.com			surface <input checked="" type="checkbox"/> ISO 1302	tolerance std <input checked="" type="checkbox"/> ISO 406 <input type="checkbox"/> ISO 1101	projection <input checked="" type="checkbox"/> <input type="checkbox"/>	mm				
			TOLERANCES UNLESS OTHERWISE SPECIFIED							
Dr	H v Woensel	2001-08-17	ANGULAR	LINEAR	0.X	±0.3	size	A3	Scale	5:1
Eng	H v Woensel	2001-08-17			0.XX	±0.1	ECN	-		
Chr	R Oerlemans	2001-08-17	0°	±2°	0.XXX	±0.05	Product family	METRAL 4000	Spec ref	-
Appr	H v Woensel	2001-08-17	Title			5x6 Receptacle		diag no	52057C	
			Signal Assembly					Rev.	J	
			catalog no			CUSTOMER COPY		sheet 2 of 3		

REV F - 2004-04-17

Copyright FCI. FCI



NOTES:

1. BODY MATERIAL: LIQUID CRYSTAL POLYMER
30% GLASS FILLED
FLAME RETARDANT ACC. UL 94-V0
2. METAL PARTS: COPPER ALLOY
3. PLATING ON PRESS FIT AREA
52057-X02 IS SnPb
52057-X02LF IS Sn (LEAD FREE)
4. INDICATED HOLE IS UNPLATED.
5. 1.53 mm DIA HOLES (2) AT 8.00 CENTERS
ARE FOR GROUND
6. AVOID TRACES ON TOP OF BOARD DUE TO
EXPOSED GROUND SHIELD.
7. UNDERPLATING FOR SHIELDS AND SIGNAL
CONTACTS IS 1.3µm Ni MINIMUM.
8. COMPONENT KEEP OUT ZONE FOR PRESS BLOCK.
9. PRODUCT MARKING: DATE AND LOT CODE.
10. SEE GS-20-017 FOR APPLICATION TO PCB.
11. PCB THICKNESS 1.3 TO 2.5 mm
12. SEE PRODUCT SPECIFICATION GS-12-184 FOR
PRODUCT PERFORMANCE CHARACTERISTICS.
13. FOR LEAD FREE PART NUMBERS, ADD "LF" SUFFIX
14. THE PRODUCT (LF) MEETS EUROPEAN UNION DIRECTIVES
AND OTHER COUNTRY REGULATIONS AS DESCRIBED IN
GS-22-008

RECOMMENDED ROUTING AND TRACE DIMENSIONS
SCALE 5:1

Copyright FCI.



www.fciconnect.com			surface	-	tolerance std	ISO 1302		projection	mm			
			ISO 1302	✓	ISO 406	ISO 1101	TOLERANCES UNLESS OTHERWISE SPECIFIED					
Dr	H v Woensel	2001-08-17	ANGULAR	LINEAR	0.x	±0.3	size	A3	Scale	5:1		
Eng	H v Woensel	2001-08-17			0.xx	±0.1						
Chr	R Oerlemans	2001-08-17	0°	±2°	0.xxx	±0.05	ECN	-				
Appr	H v Woensel	2001-08-17	Product family		METRAL 4000	Spec ref	-					
FCI			Title			5x6 Receptacle		drawing no		52057C	Rev.	J
			Signal Assembly			CUSTOMER COPY		sheet 3 of 3				
			catalog no									