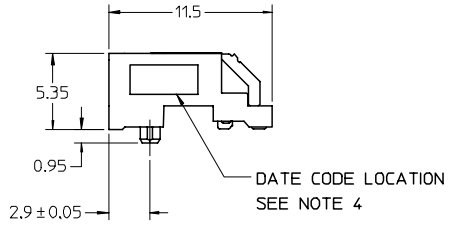
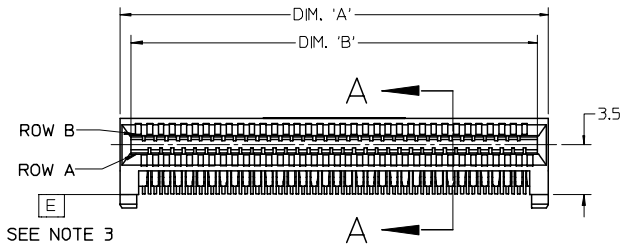
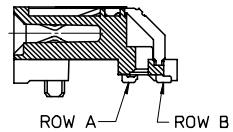
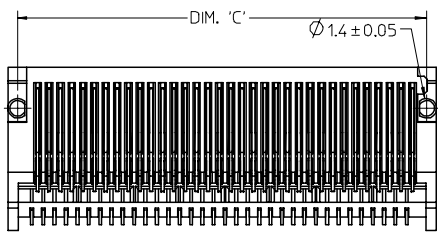


CIRCUIT SIZE	ITEM NUMBER	PLATING OPTION	DIM 'A'	DIM 'B'	DIM 'C'
26	75586-0004	OPTION 1	13.40	11.80	12.00
26	75586-0009	OPTION 2	13.40	11.80	12.00
36	75586-0003	OPTION 1	17.40	15.80	16.00
36	75586-0008	OPTION 2	17.40	15.80	16.00
38	75586-0010	OPTION 1	18.20	16.60	16.80
38	75586-0011	OPTION 2	18.20	16.60	16.80
50	75586-0001	OPTION 1	23.00	21.40	21.60
50	75586-0006	OPTION 2	23.00	21.40	21.60
68	75586-0002	OPTION 1	30.20	28.60	28.80
68	75586-0007	OPTION 2	30.20	28.60	28.80

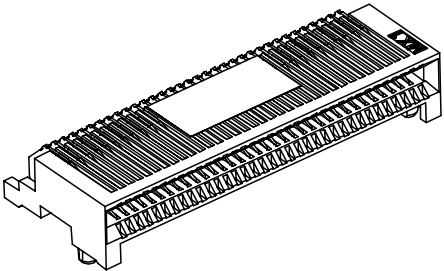


- NOTES
- MATERIAL:
HOUSING - HIGH TEMPERATURE THERMOPLASTIC GLASS FILLED, UL 94V-0,
BLACK TERMINALS - COPPER ALLOY
 - PLATING:
OPTION 1
CONTACT AREA - 0.38 μ m MIN GOLD OVER 2.54 μ m MIN NICKEL
SOLDER FOOT AREA - 2.54 - 5.09 μ m TIN OVER 2.54 μ m MIN NICKEL.
OPTION 2
CONTACT AREA - 0.76 μ m MIN GOLD OVER 2.54 μ m NICKEL
SOLDER AREA - 2.54 - 5.09 μ m TIN OVER 2.54 μ m MIN NICKEL
OPTION 3
CONTACT AREA - 0.76 μ m MIN GOLD OVER 2.54 μ m NICKEL,
SOLDER AREA: GOLD FLASH OVER 2.54 μ m MIN NICKEL.
 - TERMINAL SOLDER FEET TO BE COPLANAR WITHIN 0.10/0.04 MEASURED FROM FRONT HOUSING STAND OFF (DATUM E)
 - DATE CODE: 4 DIGIT (3 DIGIT DATE, 1 DIGIT YEAR)
 - CIRCUIT IDENTIFIER: SEE APPROPRIATE INDUSTRY SPECIFICATION FOR LOCATION OF PIN 1.
 - TO BE USED WITH EXTERNAL CABLES (74546 & 74547 SERIES) AND GUIDE FRAMES (74540 & 74548 SERIES)
 - PACKAGED PER PACKAGING SPECIFICATION: PK-75586-002
 - CONFORMS TO PRODUCT SPECIFICATION: PS-75586-001



SECTION A-A

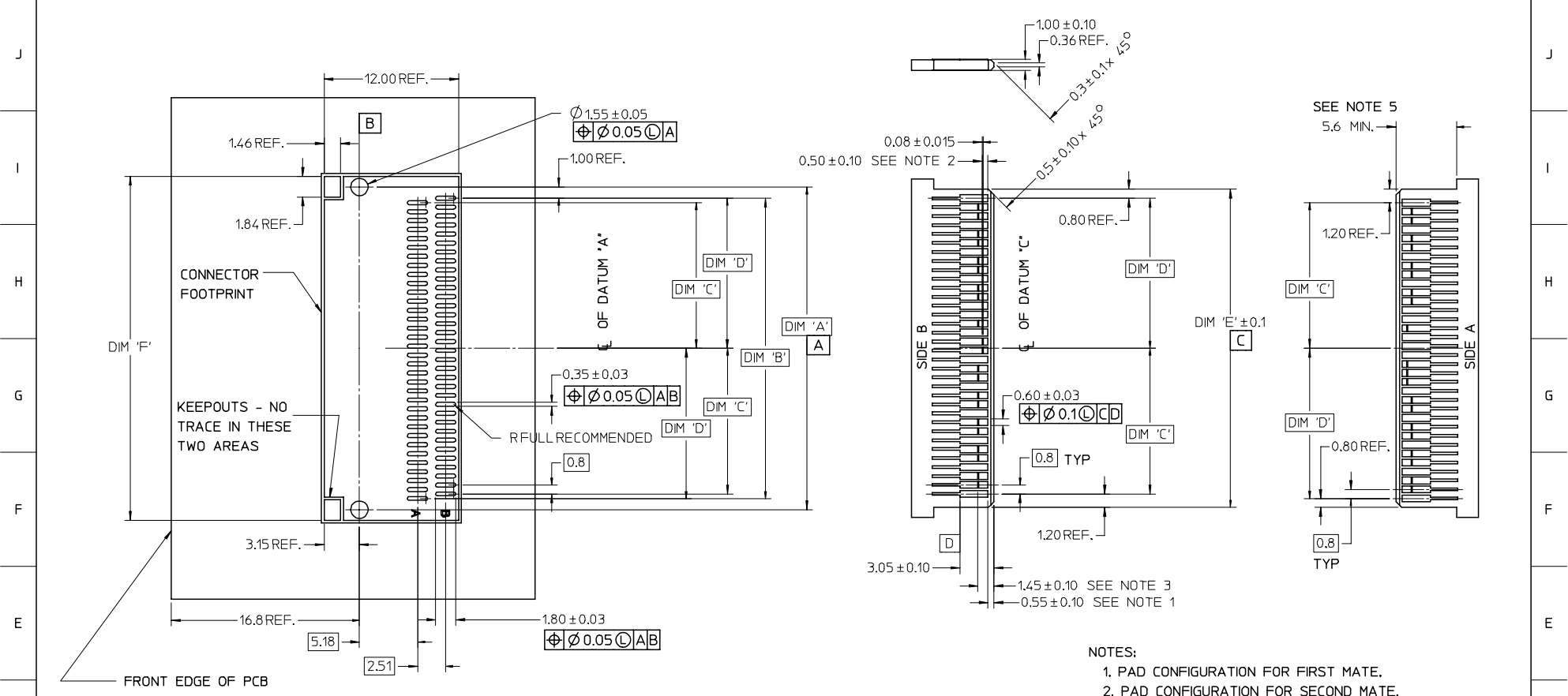
68 CIRCUIT ASSEMBLY SHOWN



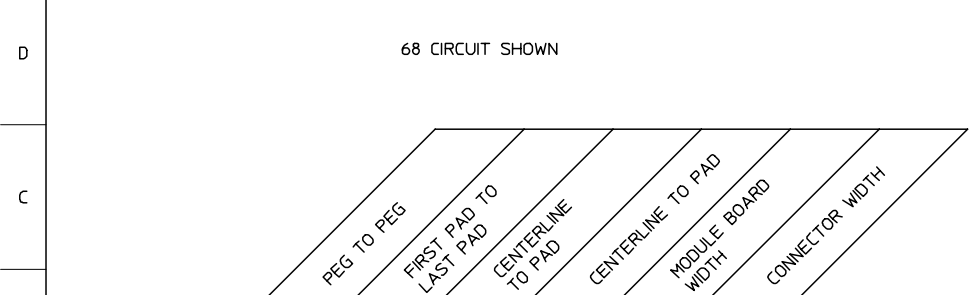
iPass™ IS A TRADEMARK OF MOLEX

UPDATED TERMINALS EC NO: UCP2006-2031 DRWN: JI SWENSON 2006/03/27 CHFKD: 2006/03/27 APPR: MBAMAKIS 2006/03/22 REV: E2	QUALITY SYMBOLS ▽=0 ▽=0	GENERAL TOLERANCES (UNLESS SPECIFIED)		DIMENSION STYLE MM ONLY		SCALE 4:1	DESIGN UNITS METRIC	THIRD ANGLE PROJECTION		
		4 PLACES ± --- ± ---	3 PLACES ± --- ± ---	2 PLACES ± 0.13 ± ---	1 PLACE ± 0.25 ± ---	DRAWN BY KREGNIER DATE 07/28/04	CHECKED BY JLONG DATE 07/29/04	I-PASS R/A CONNECTOR EXTERNAL ASSEMBLY .8 MM PITCH I/O		
		ANGULAR ±1/2°				APPROVED BY RNELSON DATE 07/30/04	MATERIAL NO.			
		DRAFT WHERE APPLICABLE MUST REMAIN WITHIN DIMENSIONS				SEE CHART		DOCUMENT NO. SD-75586-001	SHEET NO. 1 OF 3	

THIS DRAWING CONTAINS INFORMATION THAT IS PROPRIETARY TO MOLEX INCORPORATED AND SHOULD NOT BE USED WITHOUT WRITTEN PERMISSION



- NOTES:
1. PAD CONFIGURATION FOR FIRST MATE.
 2. PAD CONFIGURATION FOR SECOND MATE.
 3. PAD CONFIGURATION FOR THIRD MATE (HIGH SPEED SIGNALS).
 4. FOR PIN ASSIGNMENTS AND MATING SEQUENCE (1ST, 2ND, 3RD), SEE APPLICABLE SPECIFICATION.
 5. MINIMUM STEP REQUIRED IF PCB MADE WIDER THAN CARD TOUNGE.
 6. SEE 74540 OR 74548 SERIES FOR GUIDE FRAME FOOT PRINT AND KEEP OUT AREA.



CIRCUIT SIZE	TERM/SIDE 'N'	DIM 'A'	DIM 'B'	DIM 'C'	DIM 'D'	DIM 'E'	DIM 'F'
26	13	12.00	10.00	4.60	5.00	11.60	13.90
36	18	16.00	14.00	6.60	7.00	15.60	17.90
38	19	16.80	14.80	7.00	7.40	16.40	18.70
50	25	21.60	19.60	9.40	9.80	21.20	23.50
68	34	28.80	26.80	13.00	13.40	28.40	30.70

QUALITY SYMBOLS: $\nabla=0$, $\nabla=0$

GENERAL TOLERANCES (UNLESS SPECIFIED):

	mm	INCH
4 PLACES	± ---	± ---
3 PLACES	± ---	± ---
2 PLACES	± 0.13	± ---
1 PLACE	± 0.25	± ---
ANGULAR ±1/2°		

DESIGNATION: SEE SHEET 1, E2

DESCRIPTION: DRAWN BY: J. SIMENSON, 2006/03/24; CHKD: 2006/03/24; APPR: M. BAKI, 2006/03/22

QUALITY SYMBOLS: $\nabla=0$, $\nabla=0$

GENERAL TOLERANCES (UNLESS SPECIFIED):

DIMENSION STYLE: MM ONLY

SCALE: 4:1

DESIGN UNITS: METRIC

THIRD ANGLE PROJECTION

DRAWN BY: KREGNIER, DATE: 07/28/04

CHECKED BY: JLONG, DATE: 07/29/04

APPROVED BY: RNELSON, DATE: 07/30/04

MATERIAL NO.:

DOCUMENT NO.:

SHEET NO. 2 OF 3

DRAFT WHERE APPLICABLE MUST REMAIN WITHIN DIMENSIONS

SEE SHEET 1

THIS DRAWING CONTAINS INFORMATION THAT IS PROPRIETARY TO MOLEX INCORPORATED AND SHOULD NOT BE USED WITHOUT WRITTEN PERMISSION

SD-75586-001

MOLEX INCORPORATED

iPass™ IS A TRADEMARK OF MOLEX

I-PASS R/A CONNECTOR EXTERNAL ASSEMBLY .8 MM PITCH I/O

13

12

11

10

9

8

7

6

5

4

3

2

1

J

I

H

G

F

E

D

C

B

A

J

I

H

G

F

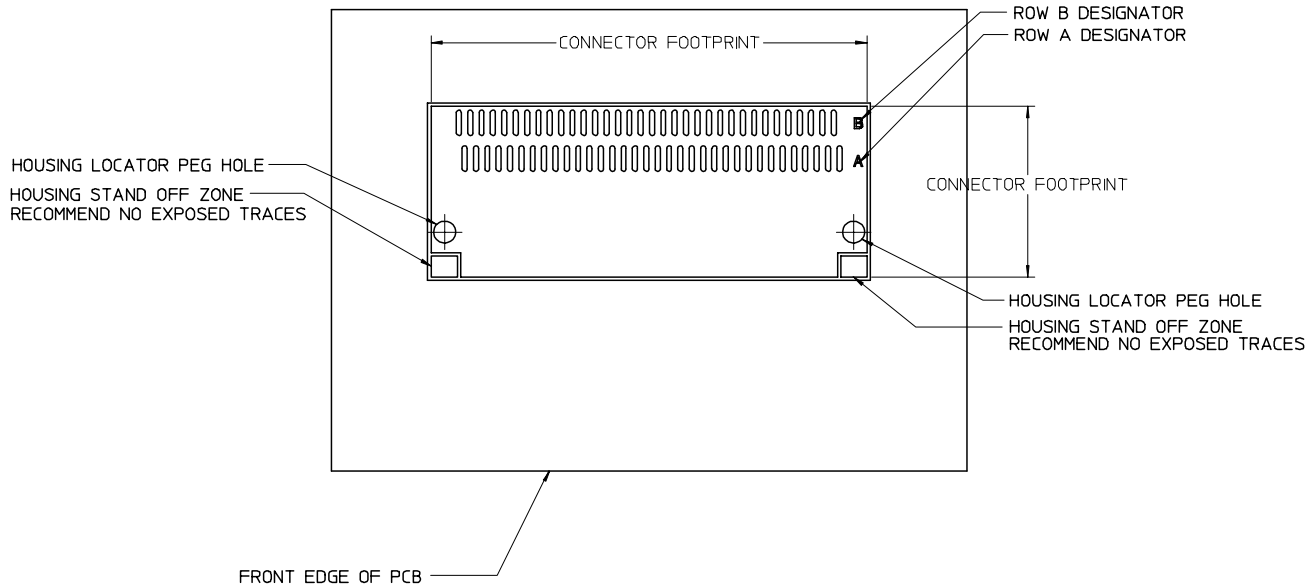
E

D

C

B

A



iPass™ IS A TRADEMARK OF MOLEX

SEE SHEET 1 EC NO: UCP2006-2031 DRAWN: J. SWENSON 2006/03/24 CHKD: 2006/03/24 APPR: MBAMAKIS 2006/03/22	QUALITY SYMBOLS =0 =0.05	GENERAL TOLERANCES (UNLESS SPECIFIED)		DIMENSION STYLE MM ONLY		SCALE 4:1	DESIGN UNITS METRIC	THIRD ANGLE PROJECTION	
		4 PLACES ± --- ± ---	3 PLACES ± --- ± ---	2 PLACES ± 0.13 ± ---	1 PLACE ± 0.25 ± ---	ANGULAR ± 1/2°	DRAWN BY KREGNIER	DATE 07/28/04	TITLE I-PASS R/A CONNECTOR EXTERNAL ASSEMBLY .8 MM PITCH I/O
		DRAFT WHERE APPLICABLE MUST REMAIN WITHIN DIMENSIONS		APPROVED BY RNELSON	DATE 07/30/04	MATERIAL NO. SEE CHART	DOCUMENT NO. SD-75586-001	SHEET NO. 3 OF 3	
		THIS DRAWING CONTAINS INFORMATION THAT IS PROPRIETARY TO MOLEX INCORPORATED AND SHOULD NOT BE USED WITHOUT WRITTEN PERMISSION							

12

11

10

9

8

7

6

5

4

3

2

1