

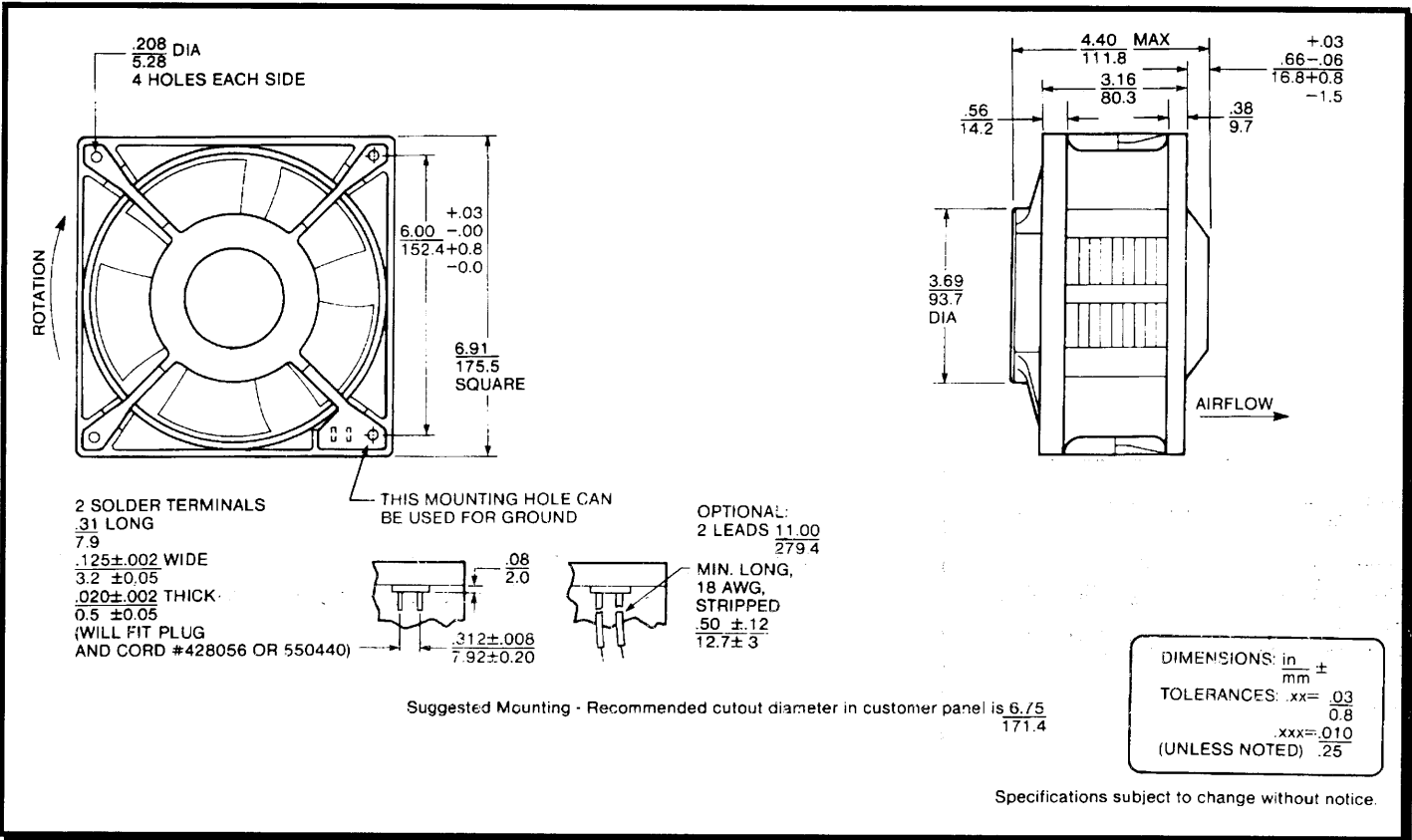
# SPECIFICATIONS



**Model Number:** TNE2C  
**Part Number:** 020169

October 17, 2002

## Mechanical Drawing:



### Specifications:

Frequency	= 50 / 60 Hz
Nominal Voltage	= 115 Volts AC
Nominal Running Current	= 0.530 Amps
Max. Locked Rotor Current	= 1.350 Amps
Running Power	= 56 Watts
Average Speed	= 3480 RPM
Bearings	= Ball
Air Flow	= 280 / 340 CFM
Acoustic	= 61.6 / 65.4 dBA

### Construction:

Venturi: Plastic, Black, UL 94V-0  
 Propeller & Cover: Plastic, Black, UL 94V-0

### Life Expectancy:

This fan is designed for continuous duty life of 25,000 hours at 40°C.

### Motor:

Permanent Split Capacitor  
 Thermal Shut Down Protection  
 Automatic Restart Capability  
 Class B Insulation  
 Operating Temperature: -10°C to 70°C  
 Storage Temperature: -40°C to 85°C

### Termination:

12" Leadwires, AWG 18, UL 1061

### Agency Approvals:

UL, CSA, TUV, CE