

# LCD Interface Connector, FI Series

???

Connector

‡ **GENERAL:** This LCD Interface connector is designed to be used for high-resolution LCD (XGA, SXGA). Both Single row connector and double row connector make it possible to high and miniature packaging, to cope with requests of narrower LCD flange and Low profile.

‡ **FEATURES:**

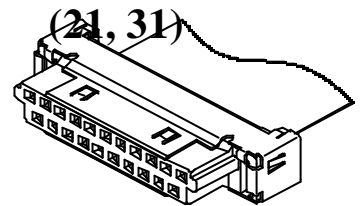
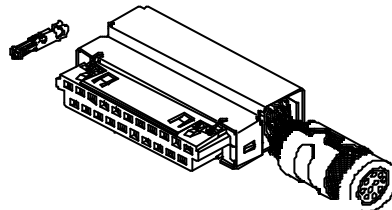
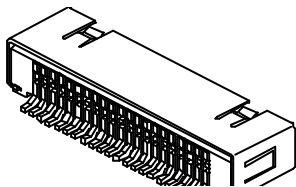
- ? 1.25mm staggered contact spacing, 21 contact connector & 31 contact connector of double rows, and 20 contact connector of single row.
- ? 3.7mm high Pin Header
- ? Usable for both Discrete wire and FPC. (mated to same pin header.)
- ? Two pin header versions are available: Pin header without Shell, and Pin Header with Shell which is superior in High frequency performance.
- ? Both pin header versions are mounted in the identical PCB foot pattern.
- ? It is designed to impedance-match with LVDS, PanelLink™
- ? Applicable wire: #28 ~ #32 AWG
- ? Applicable FPC: 0.14mm thick

‡ **CONNECTOR CONFIGURATIONS:**

[PIN SIDE] (21, 31)

[SOCKET SIDE] (21)

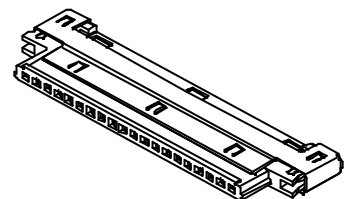
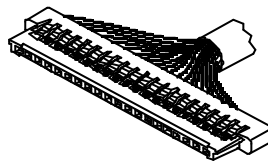
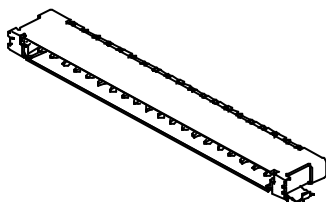
(21, 31)



(Pin Header with Shell)

Cable type Connector with Shell

(FPC type Connector with Shell)



Cable type Connector without Shell

‡ **GENERAL SPECIFICATIONS:**

‡ **MATERIALS & FINISHES:**

Number of contacts	20, 21, 31
Contact Spacing, Connecting side	1.25mm
Terminal side	0.625mm
Rated current	1A per contact
D. W. V.	500 VAC r.m.s.
Insulation Resistance	100M 0 min.
Contact Resistance	m0 max.
Cycles Office Environment:	50 cycles
Operating Temperature	-40 ~ +80?

Component	Material & Finish
Insulator	Pin side: PPS (UL94V-0, Black) Socket side: Glass-filled 66 Nylon/PBT (UL94V-0, Black)
Pin Contact	Copper Alloy
Connecting Area:	0.1μ min. Gold over Nickel plated
Lead Area:	SnPb plated
Socket Contact	Phosphor Bronze
	0.1μ min. Gold over Nickel plated
Hold-down	Copper Alloy, Tin over Nickel plated

HOW TO ORDER:

● PIN HEADER:

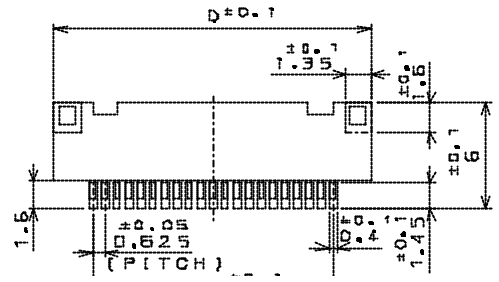
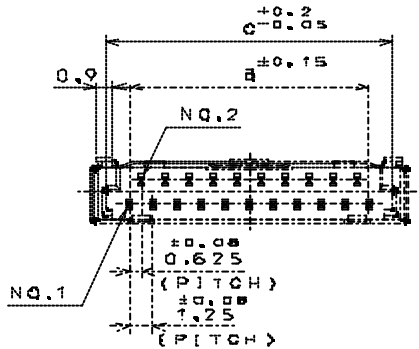
FI - W \* 21 P - HF - E1500

Series Prefix | Double Contact Row | E: with Metal Shell | No mark: without Shell | Number of Headers installed in Embossed Tape | SMT Right-angle Type | Pin Header

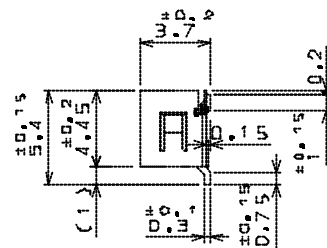
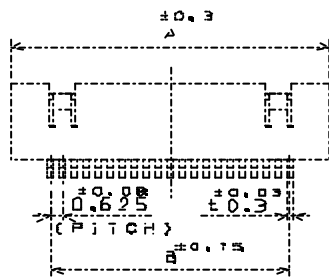
[PIN HEADER WITH SHELL] Unit: mm

Unit: mm

Number of contacts



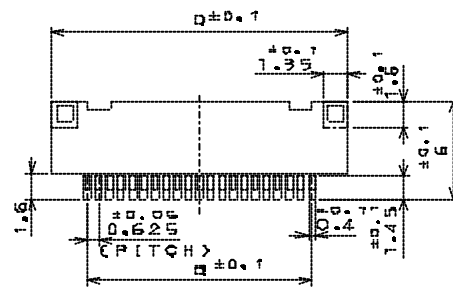
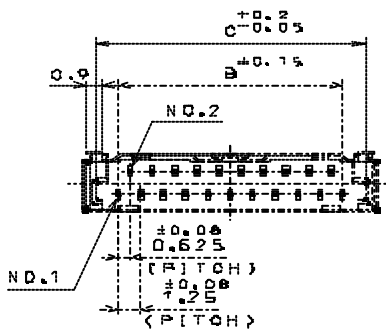
PCB Pattern Dimensions (Ref.)



Dimension	A	B	C	D
21 contacts	16.55	12.5	15	16.5

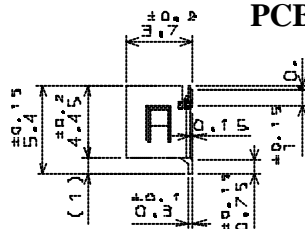
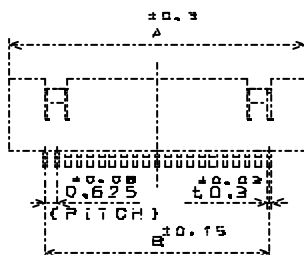
[PIN HEADER WITHOUT SHELL] Unit: mm

Unit: mm



基板パターン寸法(参考)

PCB Pattern Dimensions (Ref.)



Dimension	A	B	C	D
21 contacts	16.1	12.5	15	16.5

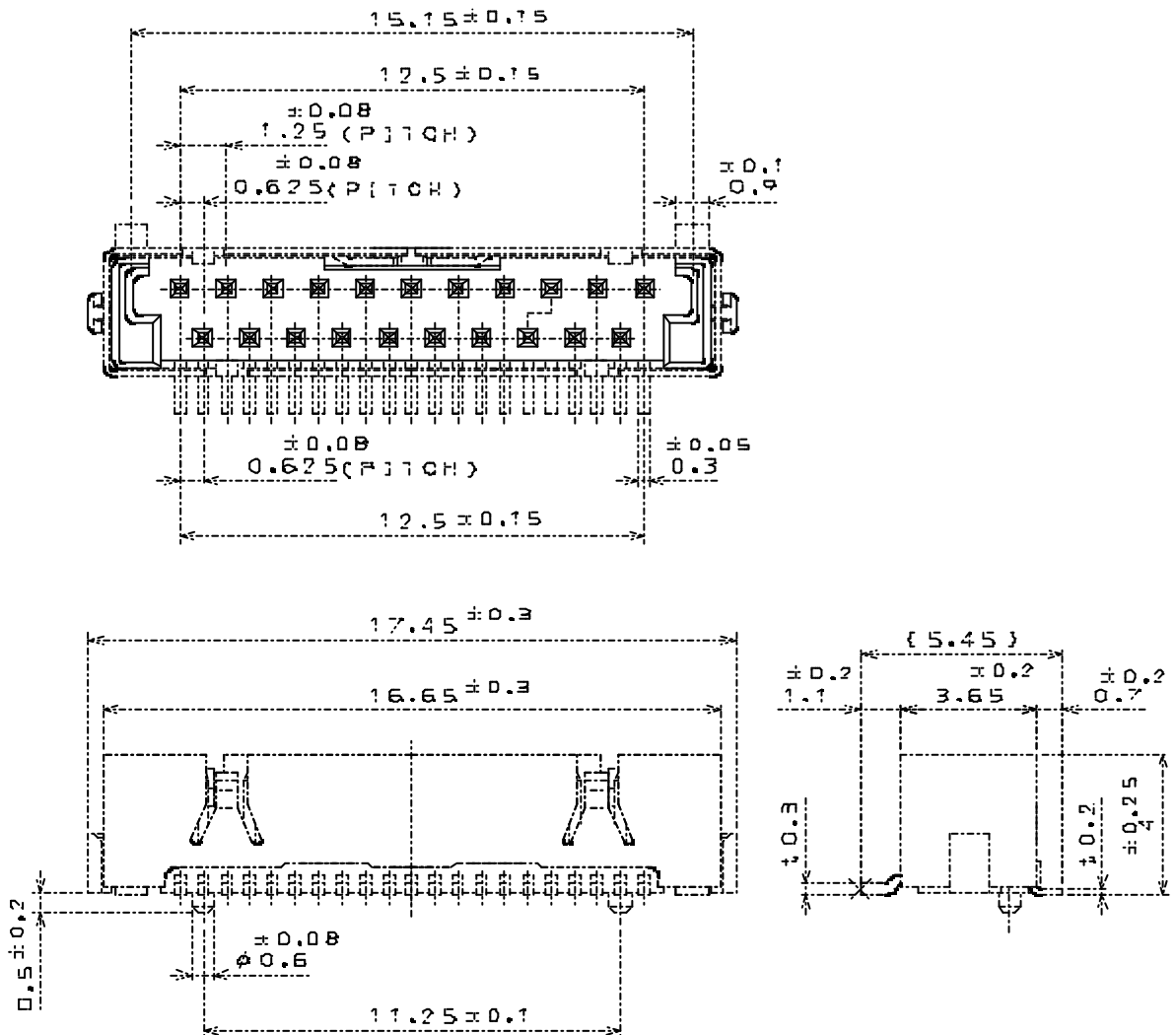
HOW TO ORDER:

● PIN HEADER:

FI	-	W	*	21	P	-	HF	-	E1500
Series Prefix		Double Contact Row		Number of Headers installed in Embossed Tape		SMT Straight Type		Pin Header	
E: with Metal Shell		No mark: without Shell							
Number of contacts									

[STRAIGHT PIN HEADER]

Unit: mm

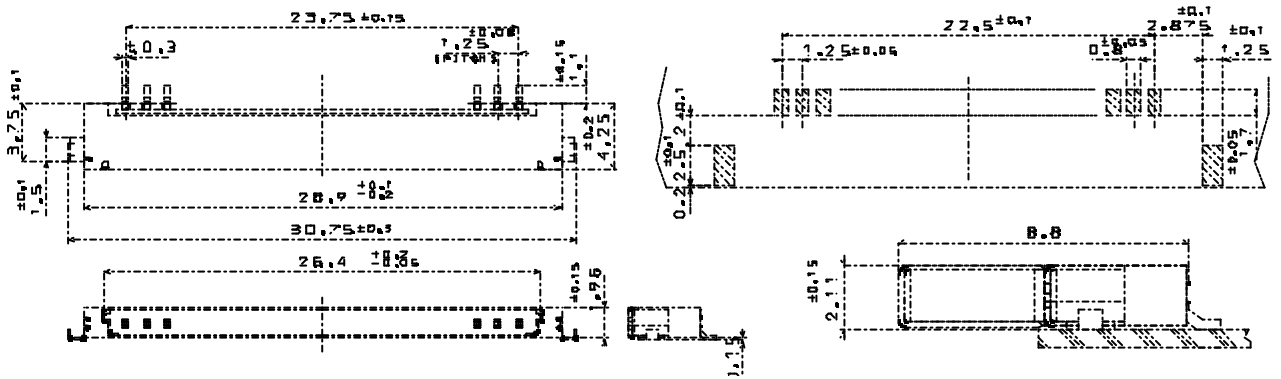




[RIGHT ANGLE PIN HEADER]

HOW TO ORDER: **FI - S \* \*\* P - HF - E1500**

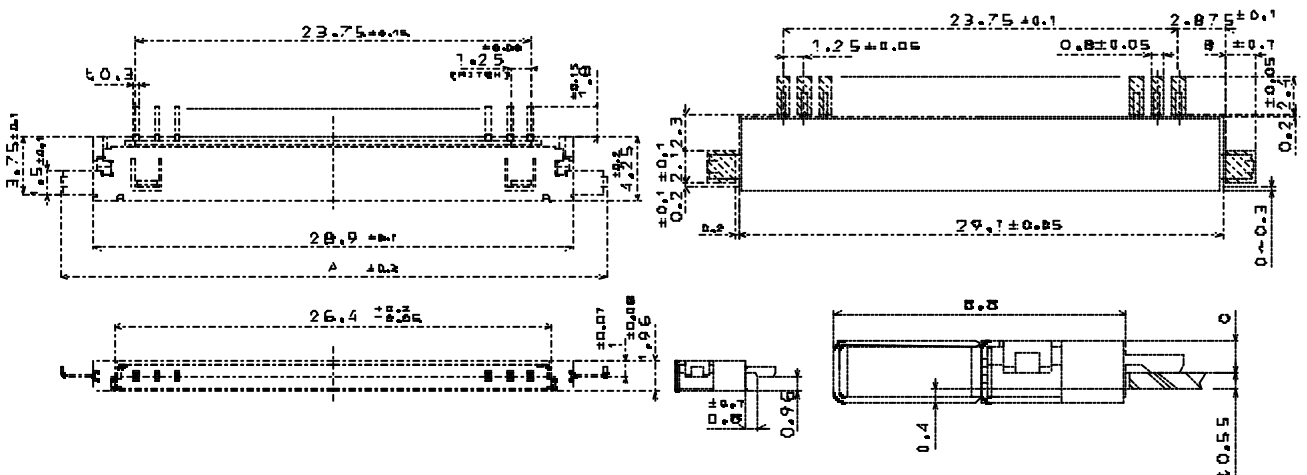
Series Prefix | Single Contact Row | E: with Metal Shell | No mark: without Shell | Number of contacts | Number of Headers installed in Embossed Tape | SMT Right-angle Type | Pin Header



[RIGHT ANGLE SUSPENDED TYPE PIN HEADER]

HOW TO ORDER: **FI - S E B \* \*\* P - HF - E1500**

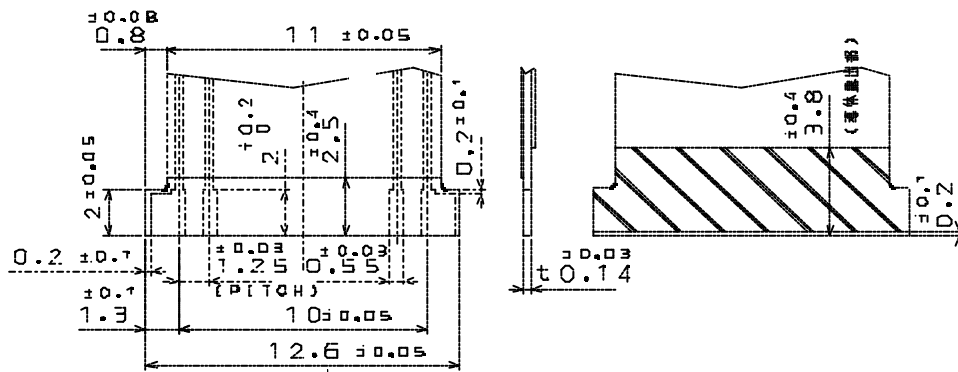
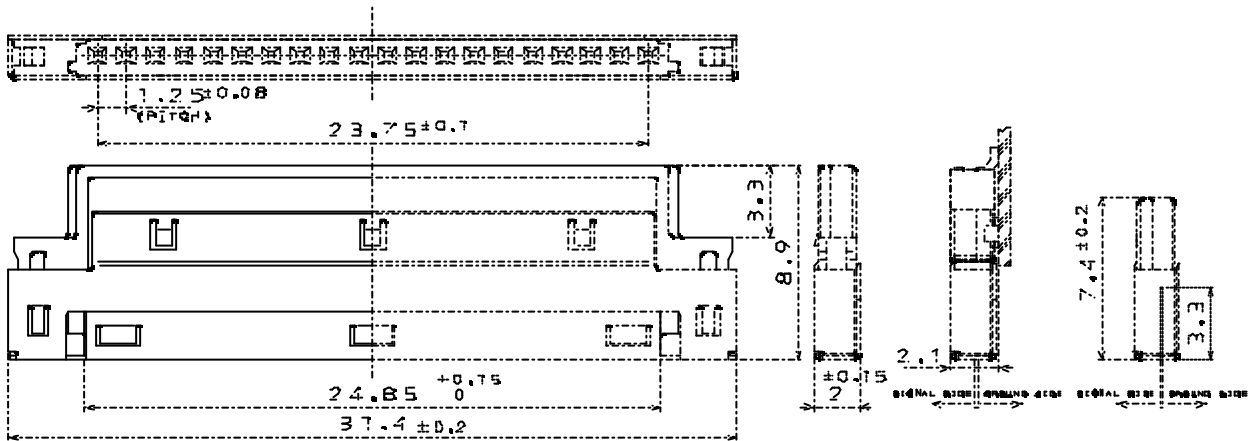
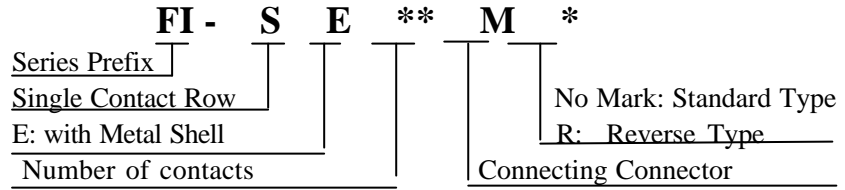
Series Prefix | Single Contact Row | E: with Metal Shell | B: Suspended type | Number of contacts | Number of Headers installed in Embossed Tape | SMT Right-angle Type | Pin Header



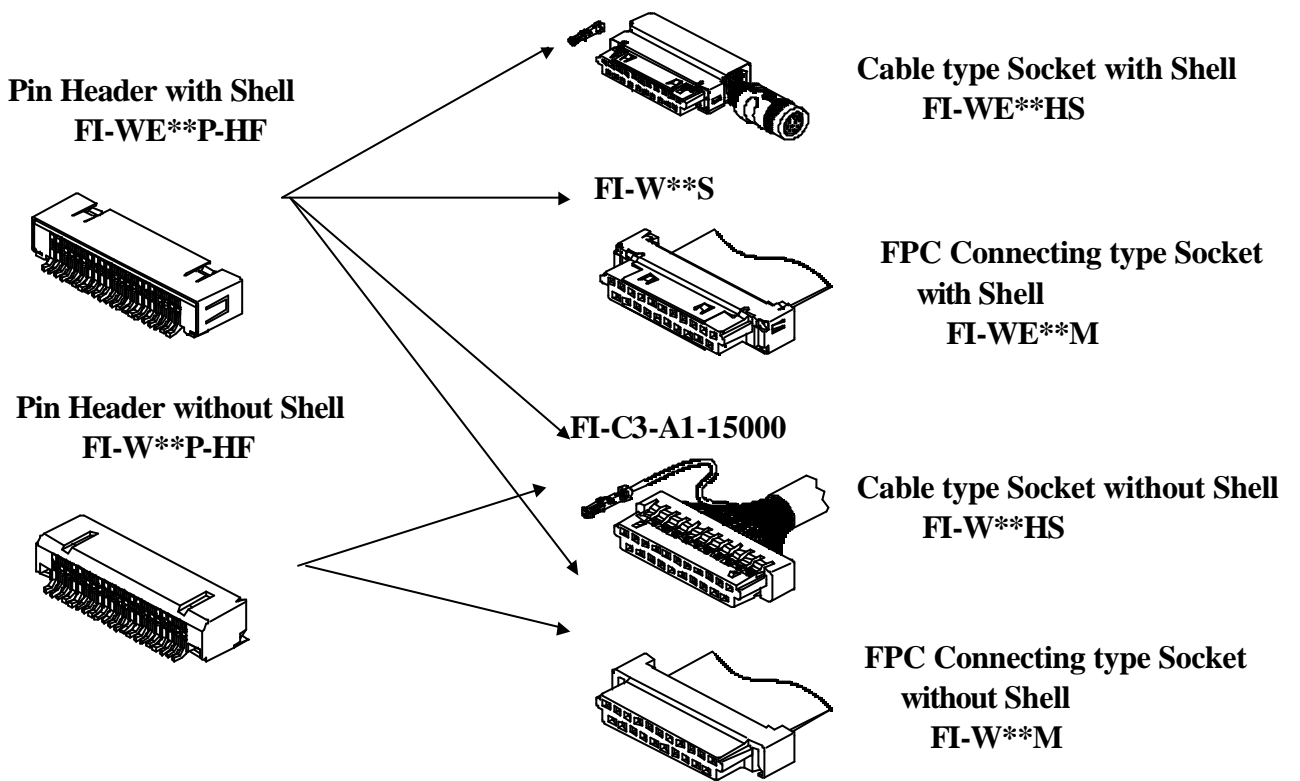
	A	B	C
FI-SEB20P-HF	31.90	1.25	1.48
FI-SEB20P-HF13	32.26	1.45	1.30
FI-SEB20P-HF10	32.86	1.80	1.00

HOW TO ORDER:

● PIN HEADER:



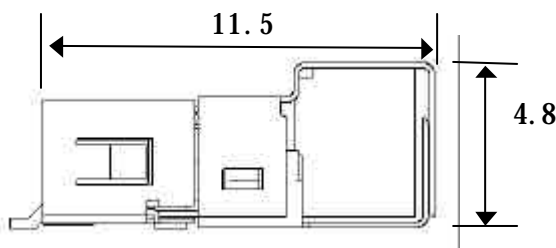
**MATING COMBINATION:** FI-C3-A1-15000



**Mating Dimensions with Shell**

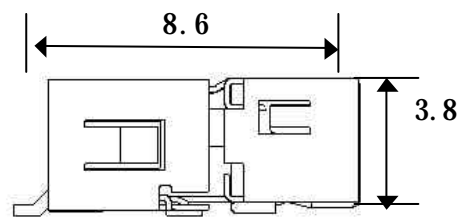
< Cable Type >

Mated width: 11.5mm , Height: 4.8mm



< FPC Type >

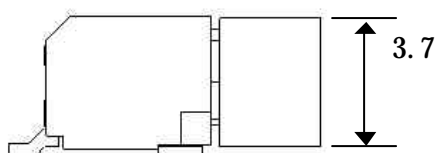
Mated width: 8.6mm , Height 3.8mm



**Mating Dimensions without Shell**

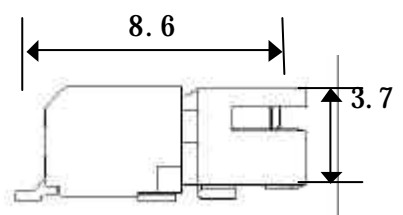
< Cable Type >

Mated width: 7.4mm , Height: 3.7mm



< FPC Type >

Mated width: 8.6mm , Height 3.7mm







**HOW TO ORDER:**

**●SOCKET CONTACT: Unit: mm**

<b>FI - C3</b>	<b>A1 - 1500</b>
Series Prefix	Number of Contacts in a reel
Applicable Wire	Gold over Nickel plated

Applicable Wire: #28~ #32 AWG

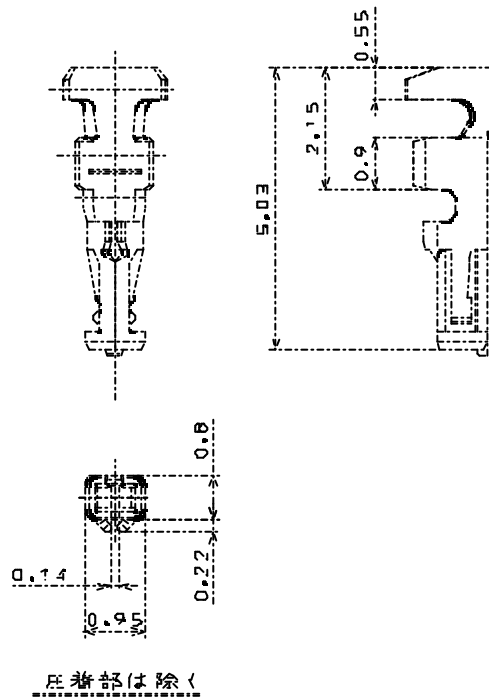
Insulated Outer Diameter: 0.45mm diameter ~ 0.9mm diameter

Semi-Automatic Crimping Machine: CT350-2-F1

Applicator for Semi-Automatic Crimping Machine: 350-FI-2

Applicator for Full-Automatic Crimping Machine: 350-FI-3B

Handy Crimping Tool: CT150-4-FI



圧着部は除く

**Excluded Crimped Area**

**[CABLE HARNESS]**

**Consult us for Cable Harnessing.**

**Notice:** Products shown in this leaflet are made for the applications listed below. However, if the above-mentioned products are to be used in aerospace devices, marine cable-connection devices, atomic power control systems, medical equipment for life-support systems, or any other specific application requiring extremely high reliability, please contact JAE for further information.

Recommended applications: Computers, Office machines, Measuring devices, Telecommunication devices (Terminals, Mobile devices), AV devices, Household applications, FA devices, etc.

**JAE Europe Ltd**

Coliseum Business Centre, Riverside Way, Camberley, Surrey, GU15 3YL, England

Tel: +44 (0) 1276 404000 Web: [www.jae-europe.com](http://www.jae-europe.com) Email: sales@jae.co.uk

**Subject to change without notice.**

**Consult JAE for latest design & specifications.**