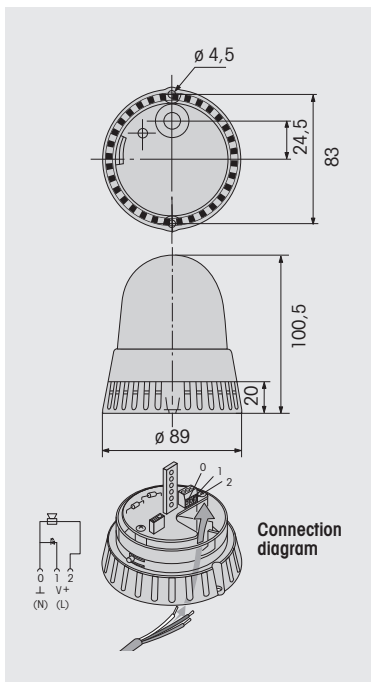


Piece of rim can be broken out to allow for cable entry from the side.



- Multi-Tone Sounder in combination with LED Permanent Beacon
- High life duration up to 50,000 hrs
- Optical and audible signal can be triggered separately
- Choice of different 8 tones
- Adjustable sound output
- Easy to mount
- High protection rating IP 65

TECHNICAL SPECIFICATIONS:

Dimensions (Diameter x Height):	89 mm x 100 mm
Housing:	PC, black
Dome:	PC, transparent
Connection:	Screwable connection with wire protection max. 1.5 mm ²
Cable entry:	Membrane cover up to Ø 9 mm
Sound output:	Max. 100 dB
Fixing:	Base mounting
Life duration:	50,000 h

Life duration up to 50,000 hrs

ORDER SPECIFICATIONS:

	24 V ≅
red	420 120 75
yellow	420 320 75

Available from August 2005

TOPE TYPES AND FREQUENCIES:

Tone A No.	Tone type
1	Horn tone (c. 200 Hz)
2	Continuous (c. 2.3 KHz)
3	1 Hz tone (c.2.3 KHz)
4	20 Hz whistle tone (c. 2.3 KHz)
5	800-970 Hz rising @ 1 Hz
6	2400-2850 Hz rising @ 7 Hz
7	1200-500 Hz falling @ 1 Hz
8	Alternating tone

