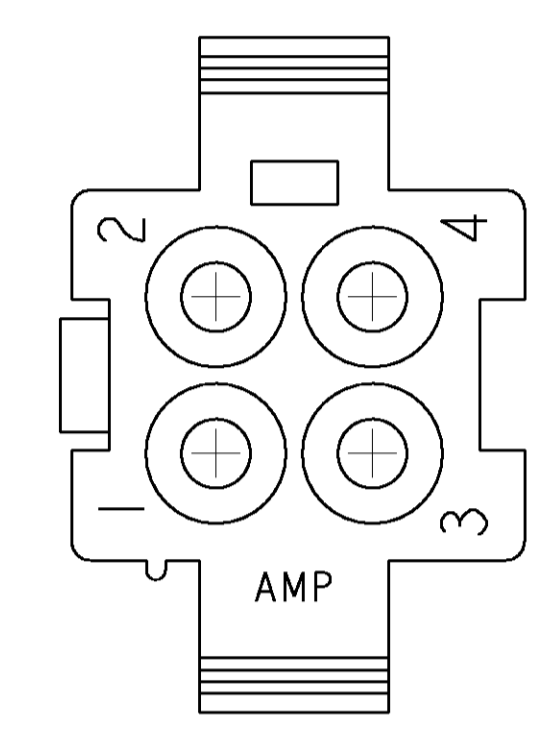
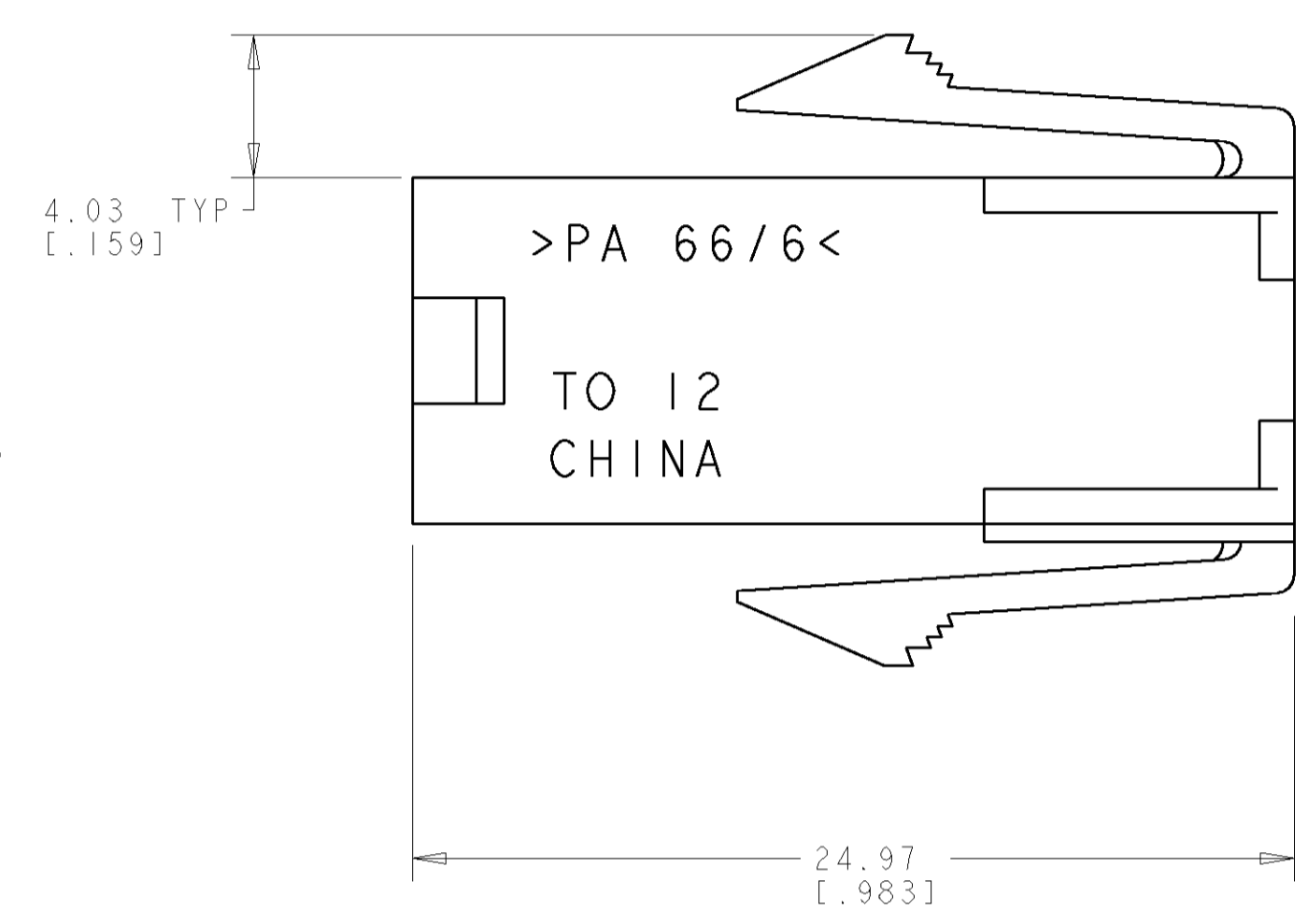
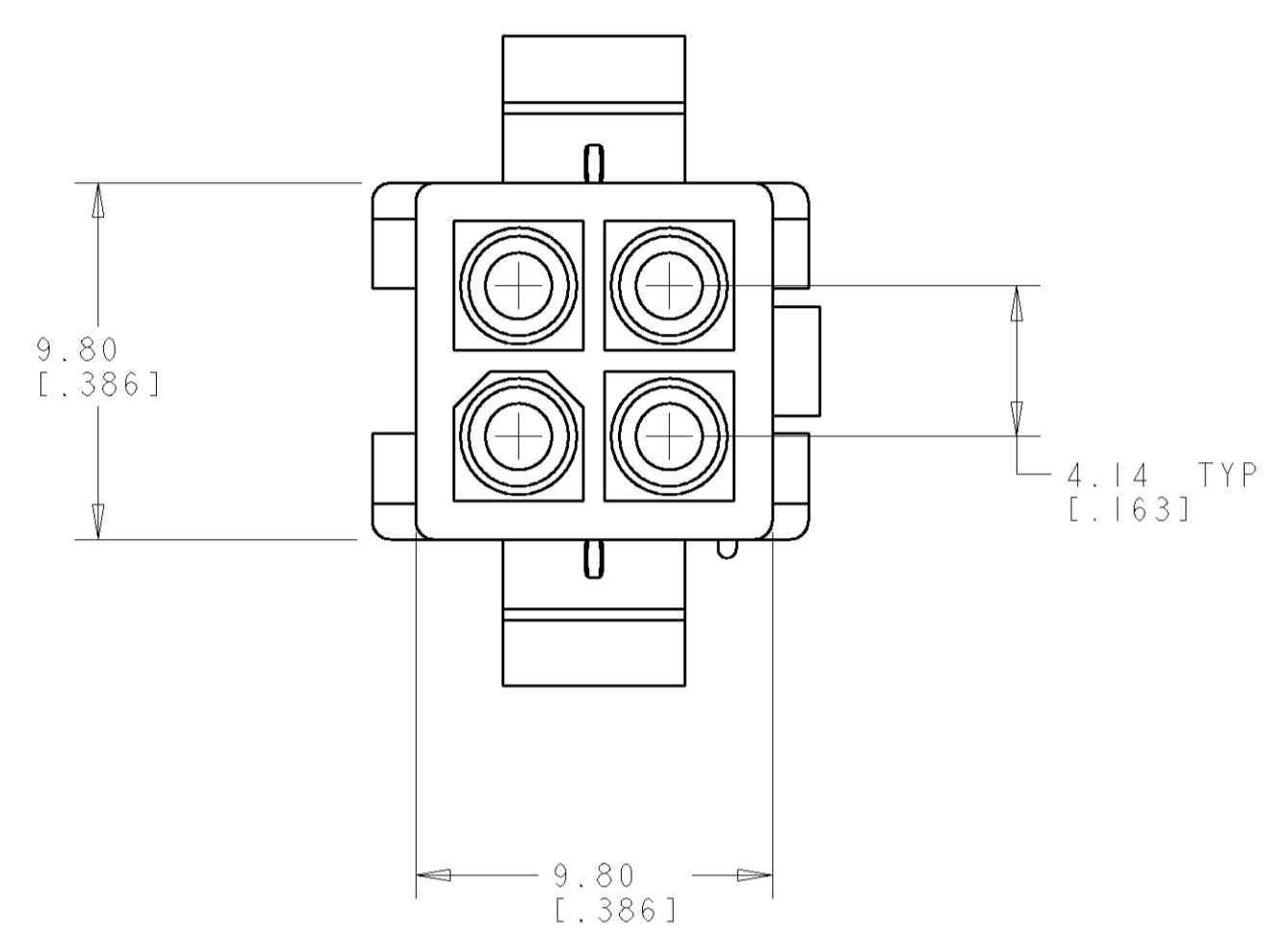
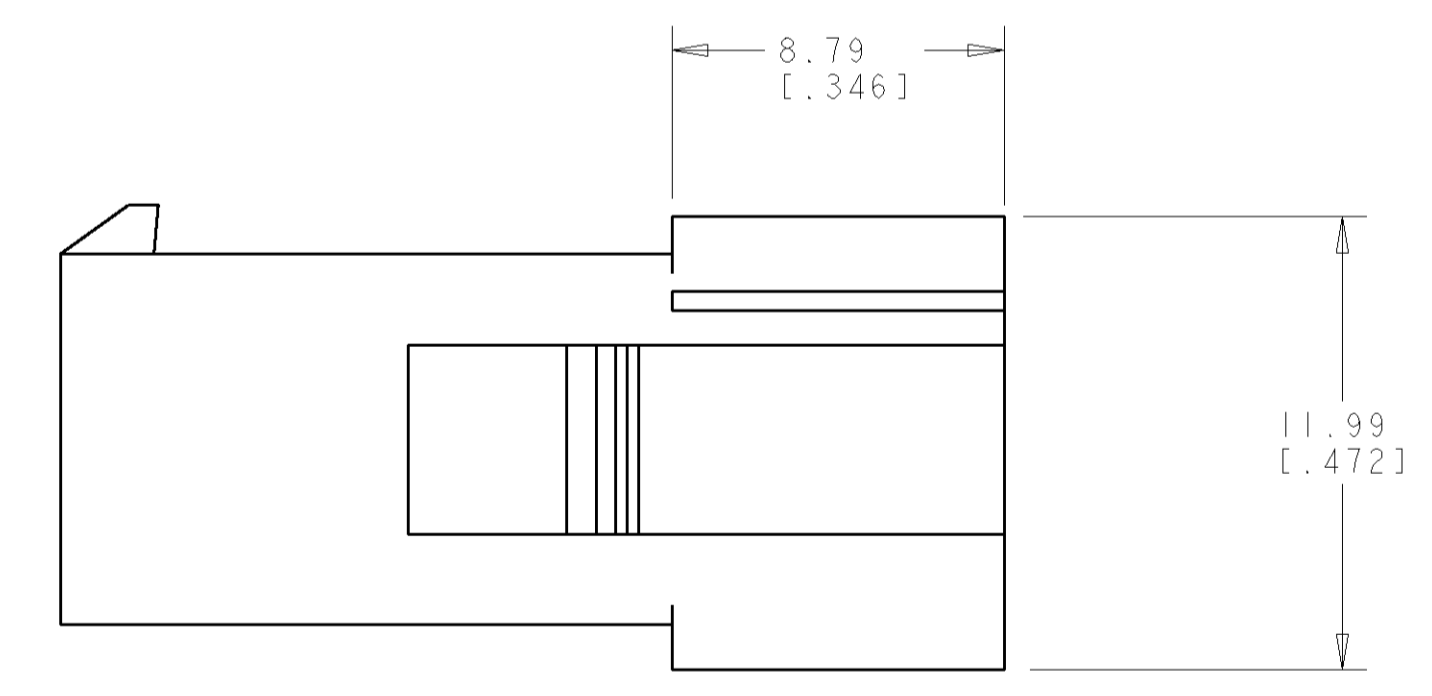
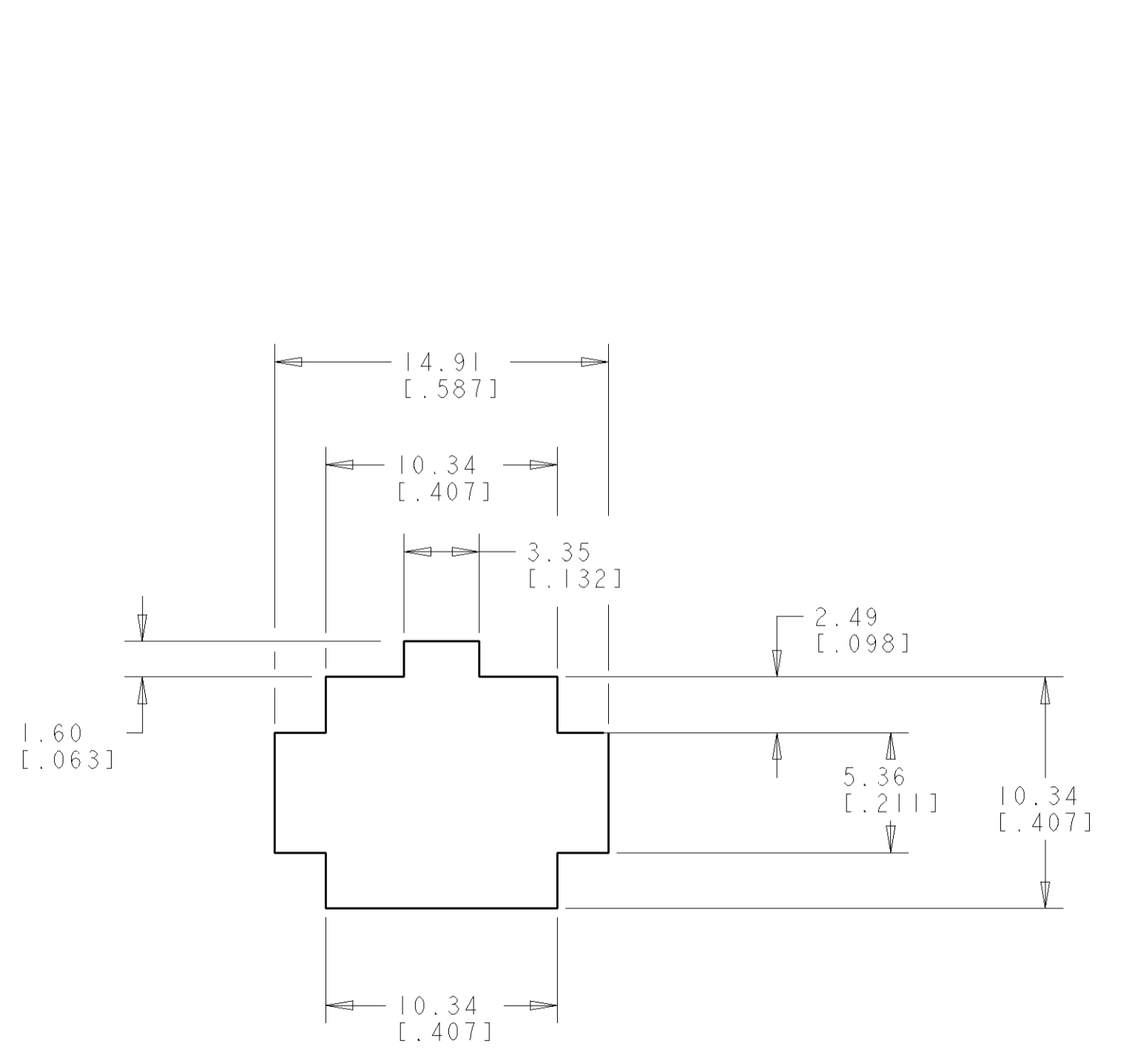


LOC		DIST		REVISIONS			
P	LTR	DESCRIPTION	DATE	DWN	APVD		
A		REVISED PER 0638-0251-04	22JUN04	KW	CJ		

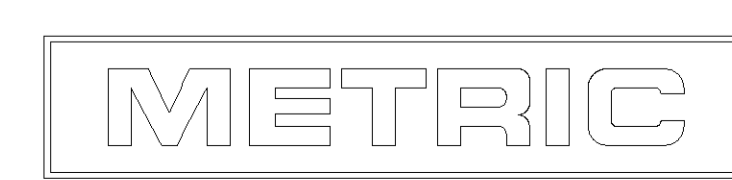


1. APPLICABLE CONTACT P/N: 170539, 170360, 170361, 170362.
2. DIMENSIONS IN BRACKETS ARE IN INCHES.
3. RECOMMENDED PANEL THICKNESS TO BE 0.8-2.0 [.031-.079].
4. HOUSING INSERTION INTO THE PANEL CUT OUT MUST BE IN THE SAME DIRECTION AS THE PUNCH.



RECOMMENDED PANEL CUT OUT
 SCALE 4:1

794939-1
 PART NUMBER



<small>THE DIMENSIONS TO WHICH THIS DRAWING IS REFERRED ARE THE DIMENSIONS TO WHICH THE PART IS TO BE MANUFACTURED UNLESS OTHERWISE SPECIFIED.</small> <small>IF IT IS NECESSARY TO CHANGE THE DIMENSIONS, THE DIMENSIONS ORGANIZATION SHALL BE CONTACTED FOR THE CORRECT POSITION.</small>		DWN: 23-JULY-2001 ENR: B. WHITAKER CHK: C. JONES APVD: C. JONES	Tyco Electronics Harrisburg, PA 17105-3608
DIMENSIONS: mm [INCHES]	TOLERANCES UNLESS OTHERWISE SPECIFIED: 0 PLC ± 1 PLC ± 2 PLC ±0.13 [.005] 3 PLC ± 4 PLC ± ANGLES ±40° 30'	NAME: CAP. PRODUCT SPEC: 4 CIRCUIT, SEALED APPLICATION, APPLICATION SPEC: MINI UNIVERSAL MATE-N-LOK™	SIZE: A CAGE CODE: 00779 DRAWING NO: 794939
MATERIAL: NYLON, UL94V-0 NATURAL	FINISH: -	WEIGHT: - CUSTOMER DRAWING	RESTRICTED TO: - SCALE: 5:1 SHEET: 1 OF 1 REV: A