

SM/SC-M Stamped contacts



Size 16 stamped and formed contacts for TRIM TRIO connectors

Description

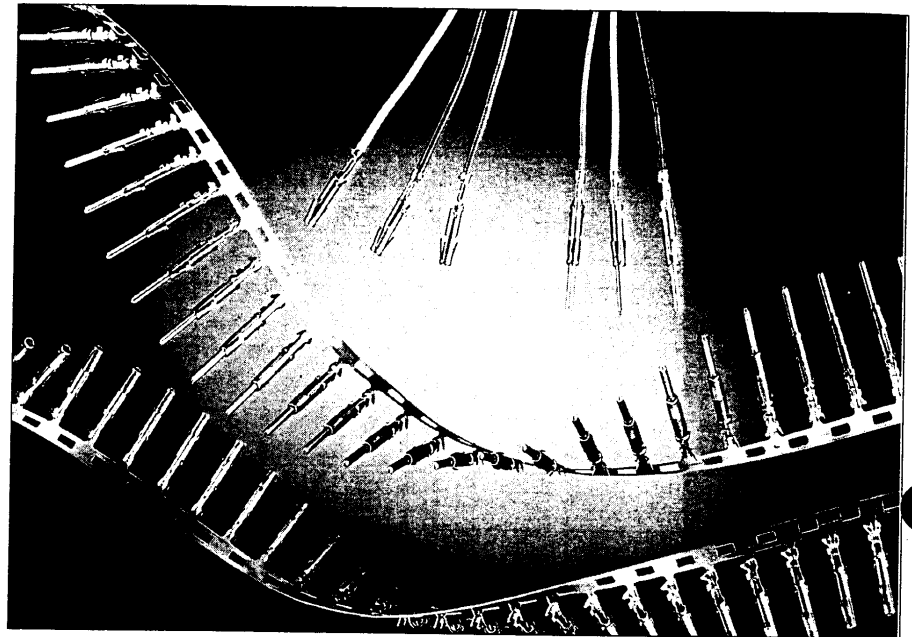
Size 16 SM/SC .0625" (1.6mm) diameter contacts are two piece strip formed crimp snap-in pin and sockets. These contacts consist of a crimp body made of high conductive copper alloy, and a stainless steel retaining spring featuring retention in the housing cavity and a closed entry socket to prevent probe damage. The contact with its open barrel is standard available on srtp and packaged with 3000 pcs on reel. This reel packaging combined with semi or even full automatic crimp tooling provides the added advantage of a lower installed cost.

Features and benefits

- Made from high conductive copper alloy with gold or tin over nickel plate finish.
- Two piece construction with dual purpose spring which serves for contact retention and protects the body against damage.
- Contacts available on reel (standard) and in bulk packing (100 pcs).
- Suitable for high volumes and lower installation cost.

Performance characteristics

| | |
|------------------------------|-------------|
| Current rating: | 13 Amp |
| Contact resistance: | ≤ 6 mΩ |
| Operating voltage: | 750 V RMS |
| Contact retention in body: | 65 N min. |
| Individual insertion force: | 3.5 N max. |
| Individual withdrawal force: | 0.55 N min. |



Construction

Contact body: High conductive copper alloy.
Outer spring: Stainless steel

Plating table

S6 = 0.75 μ Gold min. in contact area, flash on crimp barrel over Nickel.
D70 = Gold flash all over, over Nickel.
TK6 = Preplated Tin all over.

Connector accommodation

Any TRIM TRIO contact can be used in any contact position in any connector in the TRIM TRIO interconnection system.

- MS-M Rectangular connectors
- SMS Qikmate
- PI43 Eurorack connectors
- UT-Bantam
- UTG Metalok bantam
- UTP Full plastic bantam
- UTGS Shielded bantam
- MBG Bantamate II

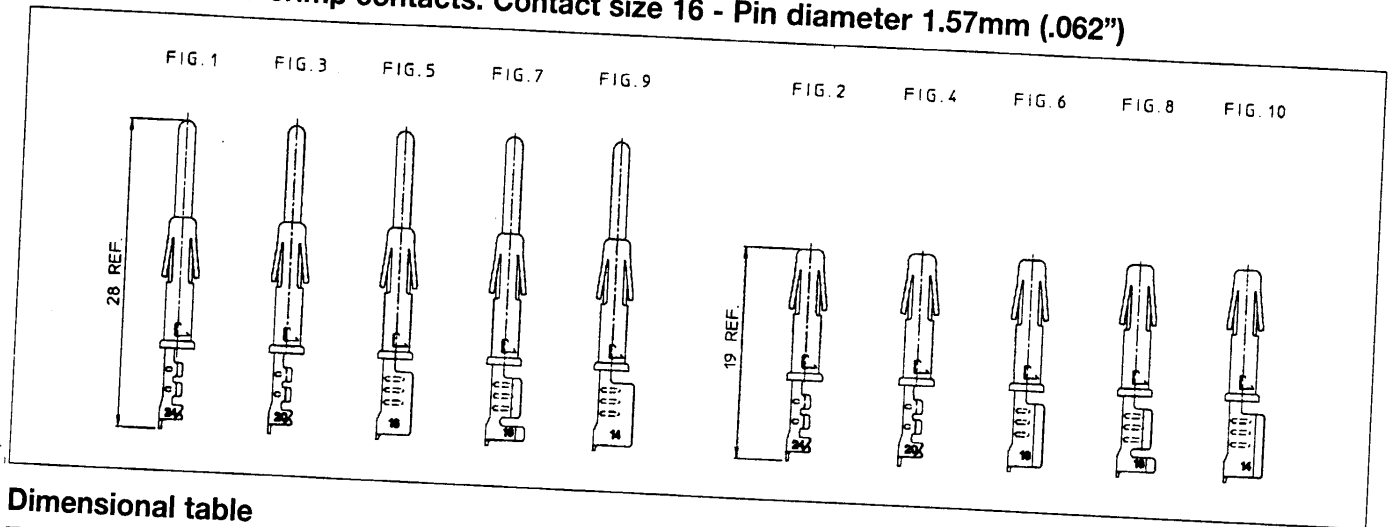
* UK Suffix refers to special packaging for Farnell and does not effect the spec.

How to order

| | | | | | | |
|------------------------------|---|----|---|-----|---|----|
| | SM | 16 | M | (L) | 1 | S6 |
| | SC | 16 | M | (L) | 1 | S6 |
| Contact type: | SM: Male contact SC: Female contact | | | | | |
| AWG Size: | 14, 16, 20, 24 | | | | | |
| Type of crimp barrel: | American open crimp barrel | | | | | |
| Packing: | No digit: Contacts on strip (qty 3000 per reel) L: Preformed loose piece contacts | | | | | |
| Design variation | 1 : Only wire crimp for size 14 and 16 : Wire + insulation crimp for sizes 20 and 24 11 : Wire + insulation crimp for size 16 | | | | | |
| Plating indication: | See plating table | | | | | |

SM/SC-M Stamped contacts

Standard SM/SC crimp contacts: Contact size 16 - Pin diameter 1.57mm (.062")



Dimensional table

| Part number: contacts on strip | | Loose pieces | | Wire size | | Insulation diameter | Wire strip length |
|--------------------------------|------|-----------------|------|-----------|-----------------|---------------------|-------------------|
| Pin contacts | Fig. | Socket contacts | Fig. | AWG | mm ² | | |
| SM24M1S6 | 1 | SC24M1S6 | 2 | 26 - 24 | 0.13 - 0.25 | 0.89 - 1.58 | 4.0 |
| SM24ML1S6 | | SC24ML1S6 | | | | | |
| SM20M1S6 | 3 | SC20M1S6 | 4 | 22 - 20 | 0.35 - 0.50 | 1.17 - 2.08 | 4.0 |
| SM20ML1S6 | | SC20ML1S6 | | | | | |
| SM16M1S6 | 5 | SC16M1S6 | 6 | 18 - 16 | 0.80 - 1.50 | 2.0 - 3.0 | 4.65 |
| SM16ML1S6 | | SC16ML1S6 | | | | | |
| SM16M11S6 | 7 | SC16M11S6 | 8 | 18 - 16 | 0.80 - 1.50 | 3.0 | 6.35 |
| SM16ML11S6 | | SC16ML11S6 | | | | | |
| SM14M1S6 | 9 | SC14M1S6 | 10 | 14 | 2.0 | 3.0 | 6.35 |
| SM14ML1S6 | | SC14ML1S6 | | | | | |

For other platings: See plating table.

Crimptooling table

| Size | Hand crimp tooling for loose contacts | | Automatic crimp tooling for contacts on strip P100MAN | | Extraction tooling |
|----------|---------------------------------------|-----------------------------|---|---------------|------------------------------|
| | Hand tools die set included | M8ND Die set (not included) | Left side applicator (not included) | Stripper unit | |
| 24 | Y16SCM2 (ratchet) | N24RT11 | MLS0318B | SC10S1 | RX2025GE1 or RX2025GE2 |
| 20 | Y14SCM2 (not ratchet) | N20RT29 | MLS0555A | | |
| | Y14MTV (ratchet) | | | | |
| 16M(L)11 | Y16SCM2 (ratchet) | N16RT26 | MLS0356A | | |
| 16M(L)1 | Y14SCM2 (not ratchet) | | | | |
| | Y14SCM (ratchet) | N16RT24 | MLS1579 | | |
| 14 | Y14MTV (ratchet) | | | | |
| | Y14SCM (ratchet) | N14RT13 | MLS1047 | | |
| | Y14MTV (ratchet) | | | | |

or detailed information on crimp tooling : See crimp tooling section