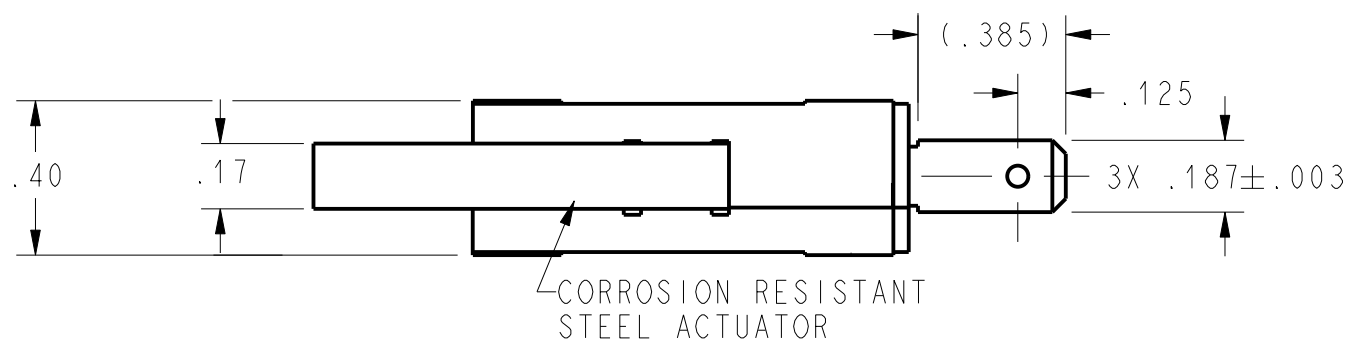
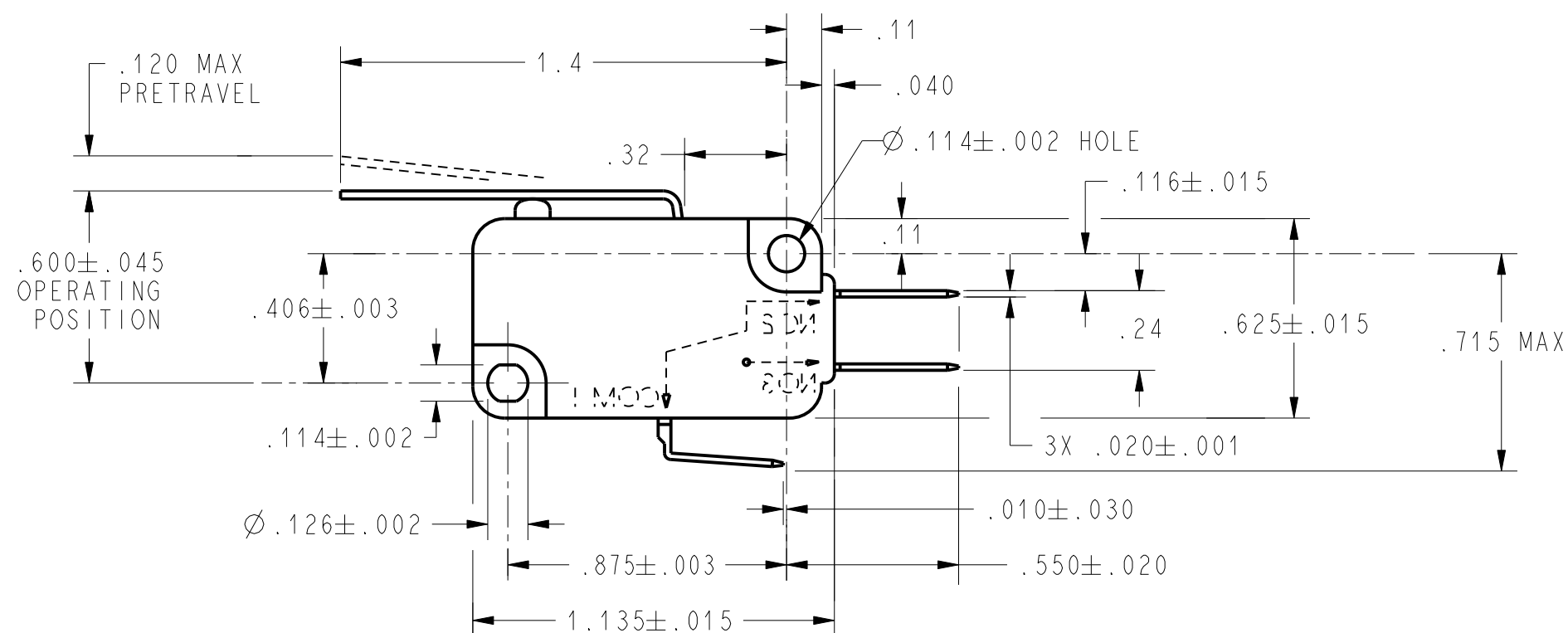


REV	DOCUMENT	CHANGED BY	CHECK
6	0000241	CSL 7 MAY 03	SAV



NOTES
 1 - IN INSPECTION, DO NOT BURN OUT - GOLD CONTACT
 2 - IN INSPECTION, DO NOT EXCEED 10 VDC, .1A RESISTIVE LOAD



CHARACTERISTICS	
OPERATING FORCE-----	30 GRAMS MAX
RELEASE FORCE -----	1 GRAMS MIN
DIFFERENTIAL TRAVEL -----	.030 MAX
OVERTRAVEL -----	.085 MIN
RELEASE TRAVEL -----	.017 MIN

ELECTRICAL DATA	
CONTACT ARRANGEMENT S P D T	
L142 0.1A 125 VAC	

UNLESS OTHERWISE SPECIFIED TOLERANCES ARE:			
	<input checked="" type="checkbox"/> US (inch) CUSTOMARY	<input type="checkbox"/> SI (mm) METRIC	
NO PLACE	X	±.040	±1
ONE PLACE	.X	±.030	±0,4
TWO PLACE	.XX	±.015	±0,15
THREE PLACE	.XXX	±.005	±
ANGLES		±	±
RAW MATERIAL-COMMERCIAL STANDARD			
THIRD ANGLE PROJECTION			

DRAWN	CSL	7 MAY 03
CHECK	SAV	7 MAY 03
THIS DRAWING COVERS A PROPRIETARY ITEM AND IS THE PROPERTY OF HONEYWELL. THIS DRAWING IS NOT TO BE COPIED OR USED WITHOUT THE PERMISSION OF HONEYWELL.		
DIMENSIONS ARE TO BE MET BEFORE PROTECTIVE COATINGS ARE APPLIED		
PTC 2D	ASME Y14.5M-1994	

Honeywell			
TITLE SWITCH, BASIC			
SIZE	DWG TYPE	DRAWING NAME	REV
B	I	V7-3S17D8-022	6
SCALE	2:1	WEIGHT	SHEET 1 OF 1