

THIS DRAWING IS UNPUBLISHED. RELEASED FOR PUBLICATION AUGUST, 2005.
 © COPYRIGHT 2005 BY TYCO ELECTRONICS CORPORATION. ALL RIGHTS RESERVED.

LOC	DIST	REVISIONS					
		P	LTR	DESCRIPTION	DATE	DWN	APVD
E	B	A		FIRST ISSUE	09AUG05	JMS	FWK

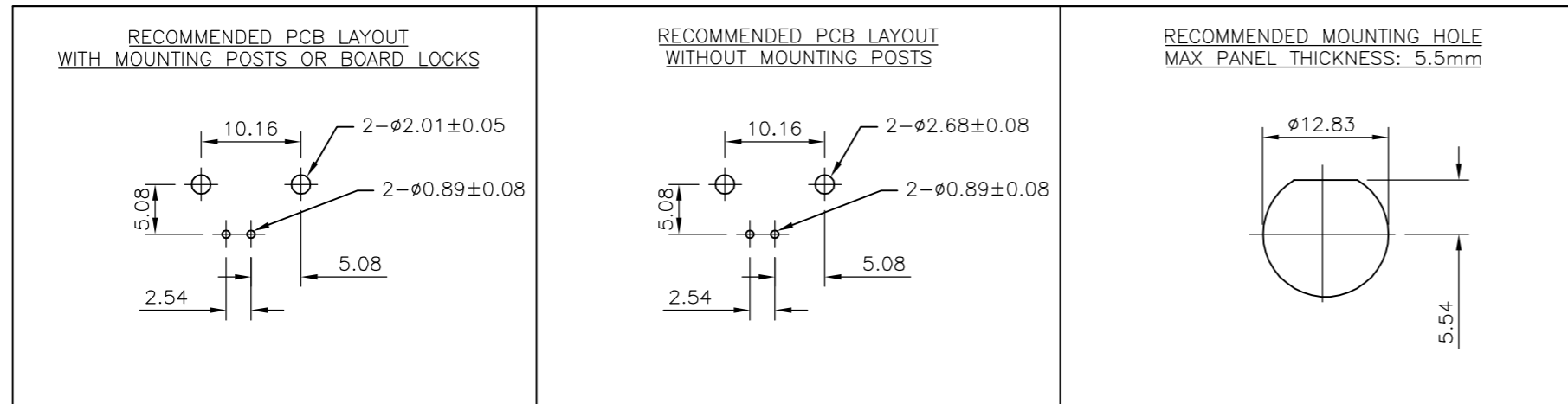
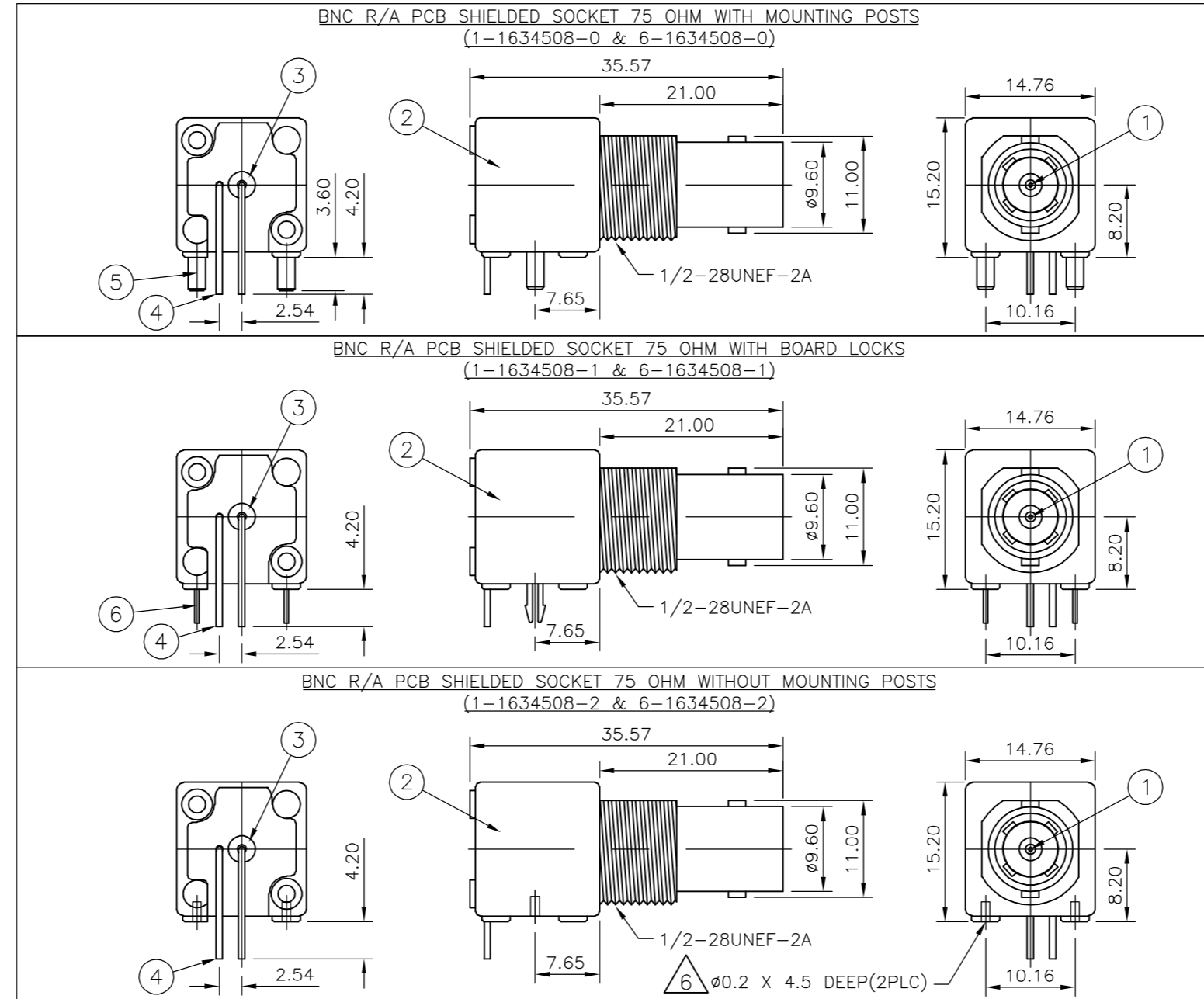
- NOTES:
- 1 SINGLE PACK IN ACCORDANCE WITH AMP SPEC 107-3275
 - 2 50 TRAY PACK IN ACCORDANCE WITH AMP SPEC 107-3275
 - 3 Au PLATING OVER Ni PLATING OVER Cu PLATING
 - 4 Ni PLATING OVER Cu PLATING
 - 5 TIN PLATING
 - 6 RECOMMENDED SELF-TAPPING SCREW 221108-4

- 7. RECOMMENDED MOUNT NUT 1-1634816-0
- 8. RECOMMENDED LOCKWASHER 1-1634817-0

9. CHARACTERISTICS
- | | |
|-------------------------------|------------|
| FREQUENCY RANGE: | DC-2GHz |
| NOMINAL IMPEDANCE: | 75 OHMS |
| WORKING VOLTAGE: | 500V RMS |
| INSULATION RESISTANCE: | 5000 MOHMS |
| DIELECTRIC WITHSTAND VOLTAGE: | 1500V RMS |
| CONTACT RESISTANCE: | |
| CENTRE CONTACT | 1.5 mOHMS |
| OUTER CONTACT | 0.2 mOHMS |

10. MECHANICAL CHARACTERISTICS
- | | |
|-------------|-----------|
| DURABILITY: | 50 CYCLES |
|-------------|-----------|

- 11. FOR TECHNICAL DATA REFER TO YOUR LOCAL TYCO ELECTRONICS SALES OFFICE
- 12. ALL DIMENSIONS ARE NOMINAL FOR REFERENCE ONLY UNLESS OTHERWISE STATED



QTY	DESCRIPTION	MATERIAL	ITEM
2	BOARD LOCK	BRASS	6
2	MOUNTING POST	BRASS	5
1	SOLDER TAIL	BRASS	4
1	INSULATOR	PE-606	3
1	BODY	ZINC ALLOY	2
1	CONTACT	BRASS	1
6--2			
1--2			
6--1			
1--1			
6--0			
1--0			

THIS DRAWING IS A CONTROLLED DOCUMENT.

DWN	J.SANDWELL	09AUG05
CHK	S.PARLOW	09AUG05
APVD	F.WHEELER-KING	09AUG05
PRODUCT SPEC	108-3435	
APPLICATION SPEC	N/A	
WEIGHT	-	

tyco Tyco Electronics Corporation
Bideford, UK, EX39 4HE

Electronics

NAME: BNC R/A PCB SHIELDED SOCKET 75 OHM

SIZE	CAGE CODE	DRAWING NO	RESTRICTED TO
A2	00779	C=1634508	-

CUSTOMER DRAWING SCALE: NTS SHEET 1 OF 1 REV A