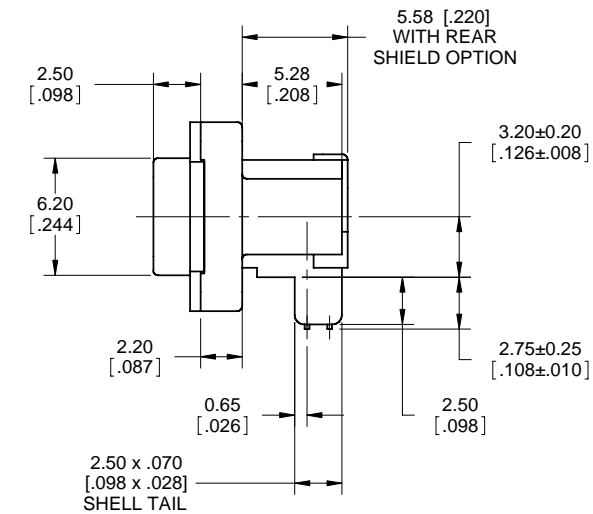
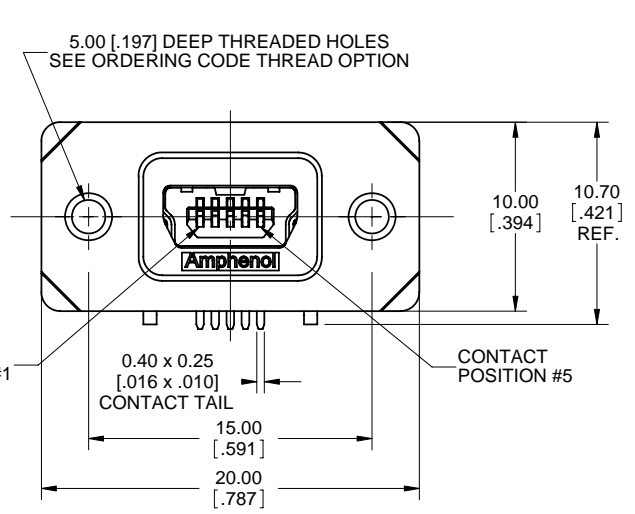


REVISIONS			
REV	ECN, ERN NO.	DATE	APPRD.
F	REV PER EAR 13469	FEB17/09	K.L.



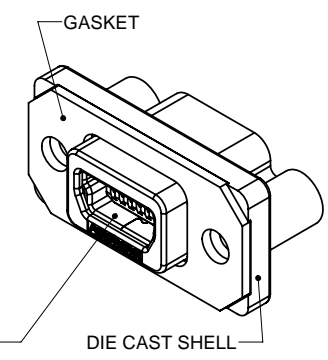
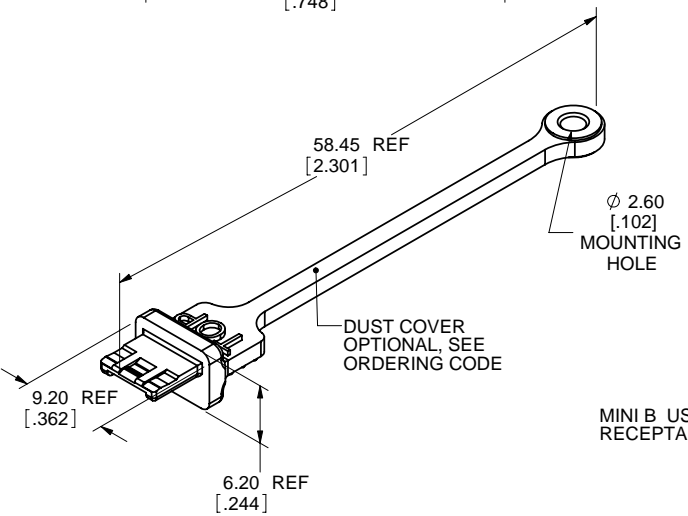
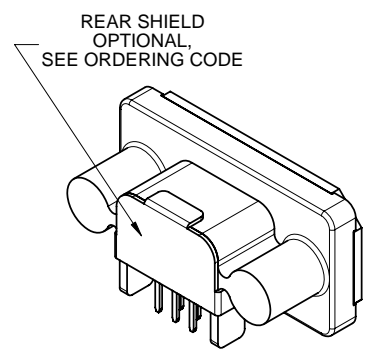
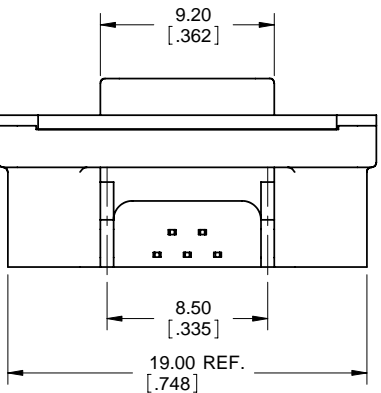
ORDERING CODE: **M U S B - B 1 5 1 - X X**

SERIES, RUGGED USB

USB 'MINI-B' RECEPTACLE, SINGLE PORT, RIGHT ANGLE PCB TAILS

REAR SHIELD & THREAD OPTION
 0=NO REAR SHIELD, #2-56 UNC THREAD
 3= WITH REAR SHIELD, #2-56 UNC THREAD
 M= WITH REAR SHIELD, M2.5 X 0.45 THREAD

DUST COVER OPTION
 0=NO DUST COVER SUPPLIED
 1=WITH GREY DUST COVER SUPPLIED
 4=NO DUST COVER SUPPLIED
 NOTE: THERE IS NO DIFFERENCE BETWEEN DUST COVER OPTIONS '0' AND '4'



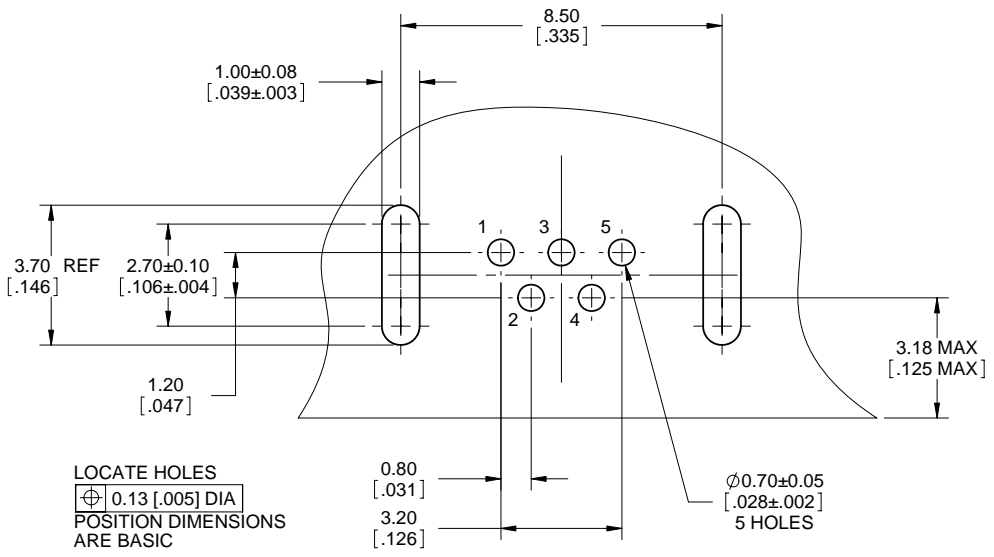
NOTES:

- MATERIAL: ALL MATERIALS ARE RoHS COMPLIANT PER EU DIRECTIVE 2002/95/EC AND AMENDMENTS
 - OUTER SHELL: DIE CAST ZINC ALLOY, NICKEL PLATED
 - CONTACTS: PHOSPHOR BRONZE, PLATED WITH 0.76 MICRONS [30u"] GOLD OVER 1.27 MICRONS [50u"] MINIMUM NICKEL ON THE MATING AREA WITH TIN OVER NICKEL ON THE TAILS.
 - USB HOUSING: ENGINEERING THERMOPLASTIC, FLAMMABILITY RATING UL94V-0, BLACK.
 - USB SHELL & REAR SHIELD: COPPER ALLOY, NICKEL PLATED
 - GASKET: PORON WITH ADHESIVE BACKING.
 - DUST COVER: SILICONE RUBBER WITH NICKEL PLATED COPPER ALLOY BUSHING.
- ENVIRONMENTAL PERFORMANCE PER IEC 60529 CODE IP67 FOR SEAL BETWEEN MATING AREA AND PCB SIDE OF CONNECTOR. GASKET PROVIDES SEAL TO INSIDE FACE OF ENCLOSURE PANEL.
- CURRENT RATING: 1 AMPERE.
- CONTACT RESISTANCE: 50 MILLIOHMS MAXIMUM.
- OPERATING TEMPERATURE: -40°C TO +105°C.
- MATING AREA DUST COVERS PROVIDE ADDED PROTECTION. REFER TO DRAWING P-MUSB-2E151-0X5BP FOR DETAILS.

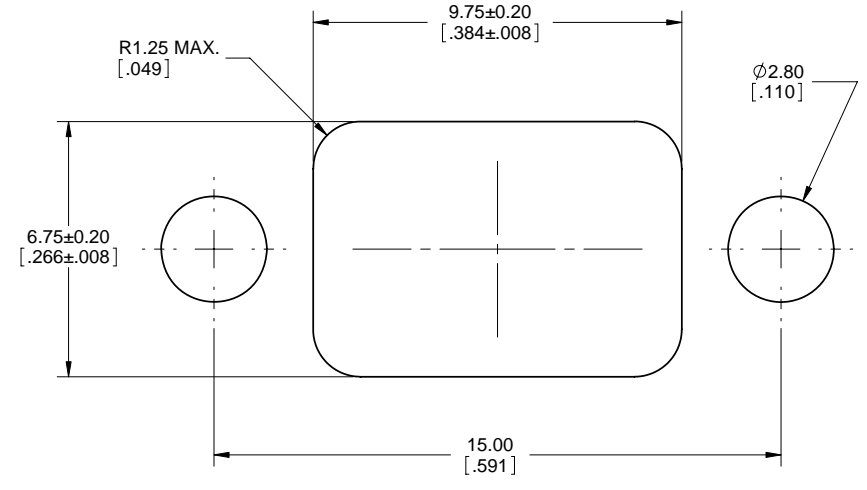
UNLESS OTHERWISE SPECIFIED DIMENSIONS ARE IN MILLIMETER TOLERANCES ARE: DECIMALS .XX ± 0.15 ANGLES	APPROVALS	DATE	Amphenol Canada Corp.		
	DRAWN S.SEMENOV	MAR15/07			
MATERIAL AND FINISH	DESIGNED S.SEMENOV	MAR15/07	TITLE MUSB SERIES RUGGED MINI-B USB RECEPTACLE, RIGHT ANGLE, RoHS COMPLIANT		
	CHECKED				
REF.	QA APP'D		SIZE C	DWG. NO. P-MUSB-B151-XX	REV. F
	DWG APP'D A.GREEN	MAR15/07	SCALE 5:1	PROJECT MUSB	SHEET 1 OF 2
CODE IDENT. NO.					

DO NOT SCALE DRAWING
 THIS DOCUMENT CONTAINS PROPRIETARY INFORMATION AND SUCH INFORMATION MAY NOT BE DISCLOSED TO OTHERS FOR ANY PURPOSE OR USED FOR MANUFACTURING PURPOSES WITHOUT PERMISSION FROM AMPHENOL CANADA CORP.

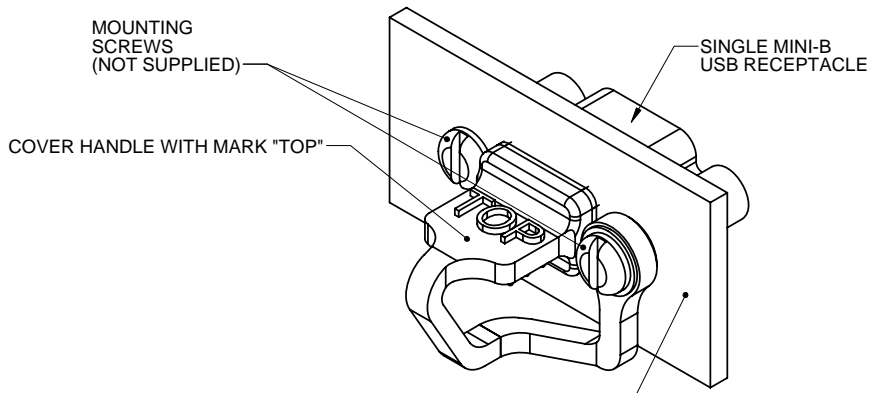
REVISIONS			
REV	ECN, ERN NO.	DATE	APPRD.
F	REV PER EAR 13469	FEB17/09	K.L.



RECOMMENDED P.C.B. LAYOUT
COMPONENT SIDE OF BOARD



RECOMMENDED PANEL CUTOUT



DUST COVER APPLICATION



UNLESS OTHERWISE SPECIFIED DIMENSIONS ARE IN MILLIMETER TOLERANCES ARE:		APPROVALS	DATE	Amphenol Canada Corp.	
DECIMALS .XX ± 0.15	ANGLES	DRAWN S.SEMENOV	MAR15/07		
MATERIAL AND FINISH		DESIGNED S.SEMENOV	MAR15/07	TITLE MUSB SERIES RUGGED MINI-B USB RECEPTACLE, RIGHT ANGLE, ROHS COMPLIANT	
		CHECKED			
REF.		QA APP'D		SIZE C	DWG. NO. P-MUSB-B151-XX
		IE APP'D		REV. F	
CODE IDENT. NO.		DWG APP'D A.GREEN	MAR15/07	SCALE 5:1	PROJECT MUSB
				SHEET 2 OF 2	

DO NOT SCALE DRAWING
THIS DOCUMENT CONTAINS PROPRIETARY INFORMATION AND SUCH INFORMATION MAY NOT BE DISCLOSED TO OTHERS FOR ANY PURPOSE OR USED FOR MANUFACTURING PURPOSES WITHOUT PERMISSION FROM AMPHENOL CANADA CORP.