



MD5 PL 36 S80 D BK

SERIES

plastic hood with inner shell

SIZE

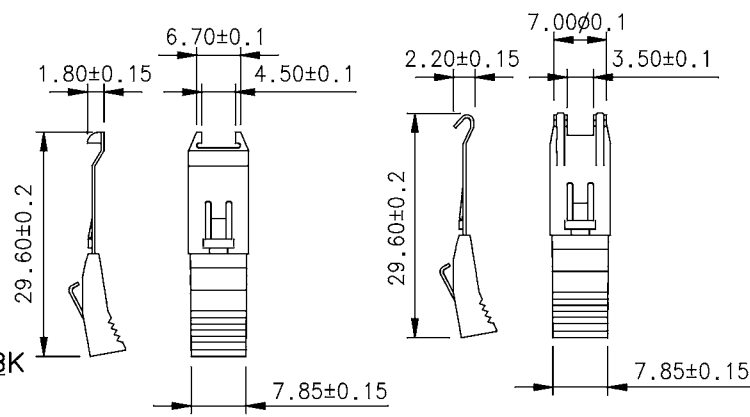
Entry and hole size :
S70 : straight entry dia. 7,00
S80 : straight entry dia. 8,00
S85 : straight entry dia. 8,50 (std)
S90 : straight entry dia. 9,00

Spring latches :

C : fish hook
D : flag hook

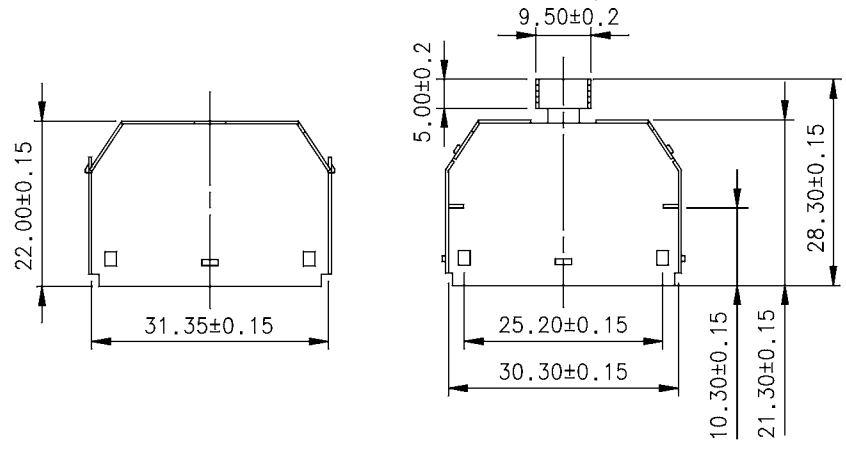
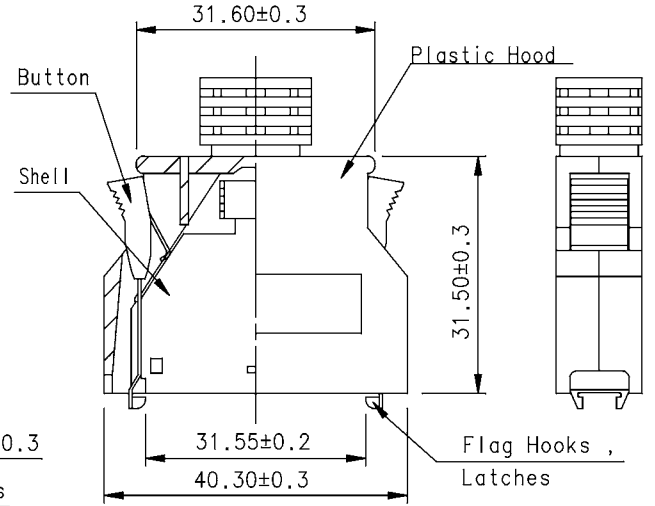
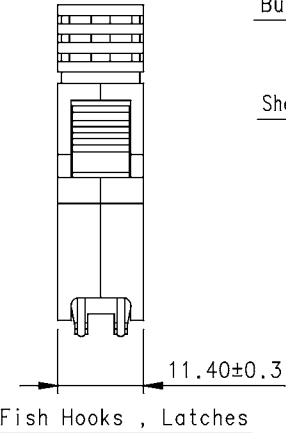
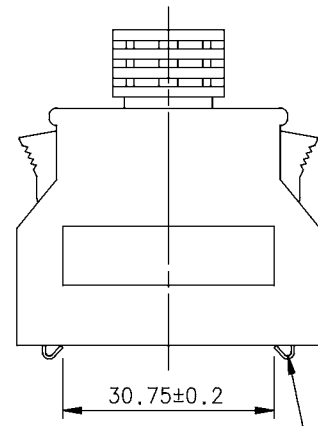
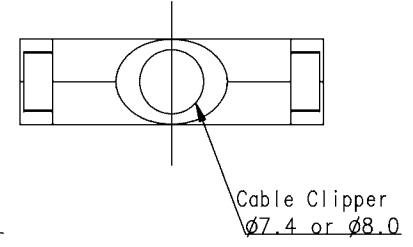
COLOUR

BK : black
IV : ivory
LG : light grey
DG : dark grey
GR : green
YE : yellow



SS: Flag Hooks

LS: Fish Hooks



FEATURES:

- Plastic hood with spring latches
- Steel inner shell
- Full EMI/RFI shielded

MATERIALS:

- Hood: Plastic ABS PA-769
- Inner Shell: Steel, Nickel plated
- Latch: Phosphor bronze, Nickel plated
- Latch: Stainless steel

Amphenol Socapex		TOL. GEN.							
Usine de Dole		VOLUME P/CE							
		SURFACE P/CE							
		PROTECTION							
ECH. 1,5 ENS.		TRAITEMENT							
N SERIE		MATIERE							
DATE DU TIRAGE		DOSSIER							
DESIGNATION		CLIENT							
MINI D SERIES		MODIFICATIONS EXEC. DATE							
N INTERNE		ATO							
MD5 PL 36		30/05 2005							
		Approb							
		IND.							