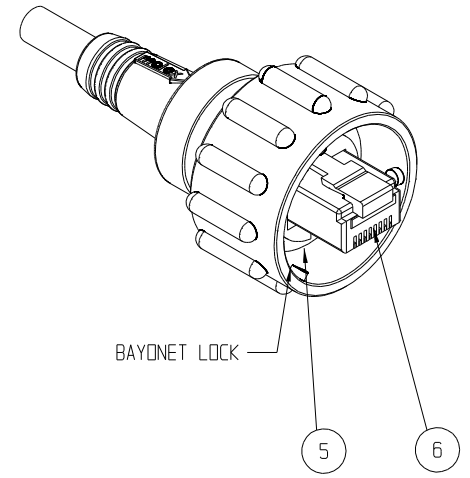
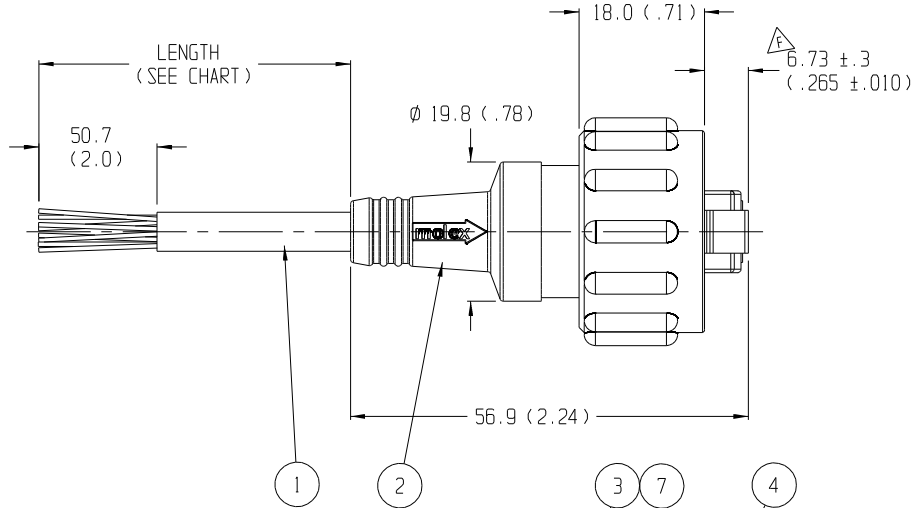
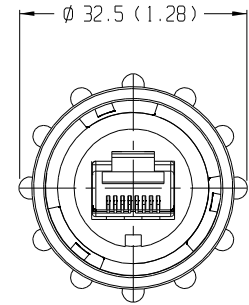
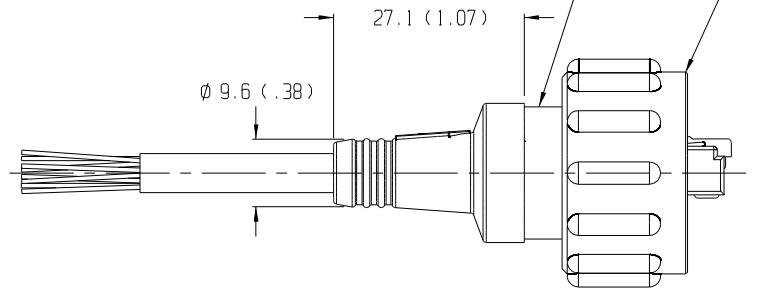


PART NO.	LENGTH
847023001	.30M +6.35 -0.0mm (1'0" +1/4", -0")
847023003	.91M +19.05 -0.0mm (3'0" +3/4", -0")
847023006	1.83M +38.1 -0.0mm (6'0" +1 1/2", -0")
847023009	2.74M +63.5 -0.0mm (9'0" +2 1/2", -0")
847023012	3.66M +76.2 -0.0mm (12'0" +3", -0")
847023020	6.10M +127 -0.0mm (20'0" +5", -0")



WHT ORG	1
ORG	2
WHT GRN	3
BLU	4
WHT BLU	5
GRN	6
WHT BRN	7
BRN	8

WIRING DIAGRAM  
POLARIZATION & SEQUENCE EIA 568B



NOTES:

1. MATERIAL: SEE TABLE
2. FINISHES: SEE TABLE
3. PRODUCT SPECIFICATION: SEE SPECIFICATION
4. PACKAGING: AS REQUIRED
5. MATES WITH: 1. E. RJ-45 BAYONET STYLE

ITEM	QTY.	DESCRIPTION	MATERIAL	FINISH
7	1	WEDGE	POLYESTER	BLACK
6	1	PLUG RJ-45, SHIELDED	-	-
5	1	GASKET SEAL	NITRILE	BLACK
4	1	COUPLING RING	POLYESTER	BLACK
3	1	HOLDER	POLYESTER	BLACK
2	1	OVER MOLDED BODY	PVC	BLACK
1	1	CABLE UTP	-	GRAY

6-22-04  
EC NO. 11564  
DRAWN: S. GILBERT  
CHK: CH'K:  
APPR: APPR:  
REV: F

DESCRIPTION: MAJOR CRITICAL SPC

GENERAL TOLERANCES: (UNLESS SPECIFIED)

	mm	INCH
4 PLACES	±.0015	±.0015
3 PLACES	±.038	±.005
2 PLACES	±.13	±.01
1 PLACE	±.3	

ANGULAR: ±2°

DRAFT WHERE APPLICABLE MUST REMAIN WITHIN DIMENSIONS

SCALE: 1.5:1

DESIGN UNITS:  mm  INCH

THIRD ANGLE PROJECTION

DRAWN BY & DATE: S. GILBERT 8-15-03

CHECKED BY & DATE: P. WALTZ 8-15-03

APPROVED BY & DATE: G. ROBERTSON 8-15-03

CAD FILENAME: SD-84702-003

PROJECT NO. PDR 04-26

DIMENSIONS:  mm  INCH  mm ONLY

TITLE: PLUG, RJ-45, BAYONET STYLE, SINGLE ENDED, CIC INDUSTRIAL ETHERNET

MATERIAL NO.: SEE CHART

DRAWING NO.: SD-84702-003

SHEET NO.: 1 OF 1

SIZE: B

THIS DRAWING CONTAINS INFORMATION THAT IS PROPRIETARY TO MOLEX INCORPORATED AND SHOULD NOT BE USED WITHOUT WRITTEN PERMISSION.