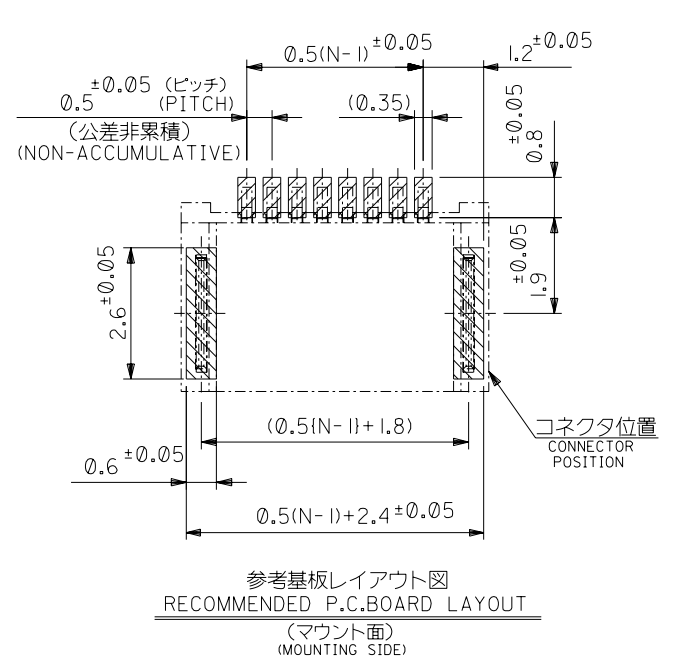
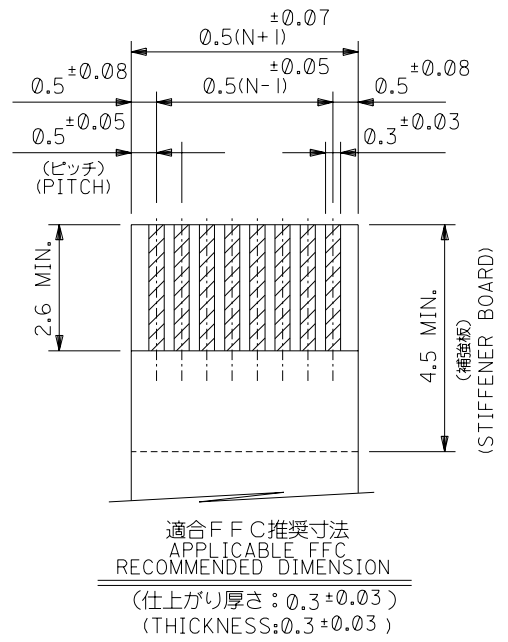
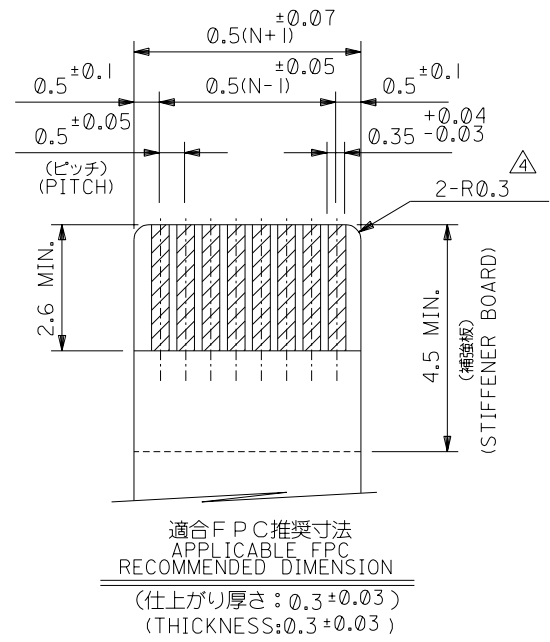


DWG. NO. SD-51281-009

DO NOT SCALE DRAWING

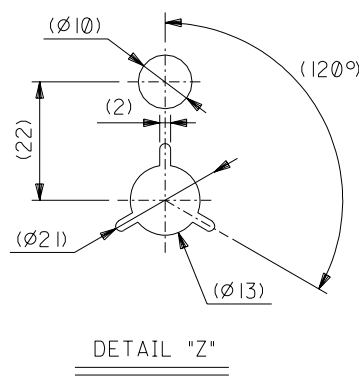
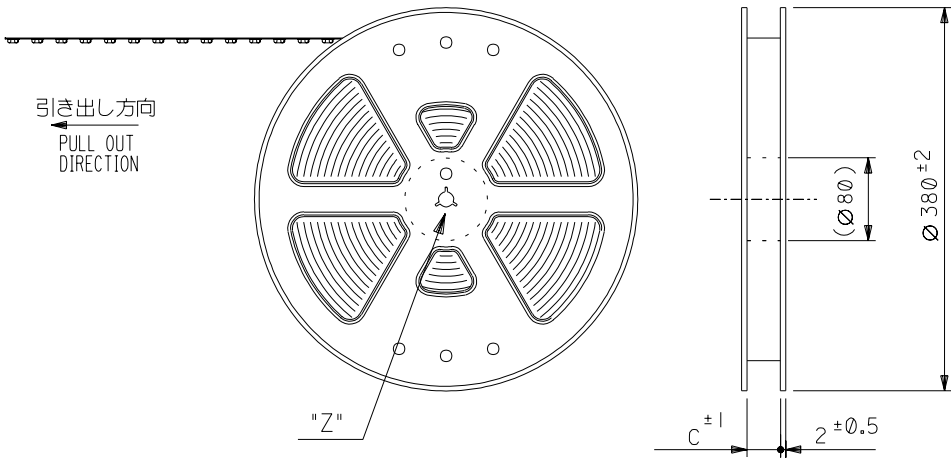


注記 NOTES

- 使用材料 MATERIAL
ハウジング : 液晶ポリマー ガラス充填 UL94V-0
HOUSING : LIQUID CRYSTAL POLYMER (GLASS FILLED) UL94V-0
ターミナル : リン青銅 (t=0.2), ニッケル下地 錫ビスマスメッキ
TERMINAL : PHOSPHOR-BRONZE, TIN-BISMUTH OVER NICKEL PLATING.
金具 : リン青銅 (t=0.25), ニッケル下地 純錫メッキ
FITTING NAIL : PHOSPHOR-BRONZE, PURE-TIN OVER NICKEL PLATING.
- ソルダーテール半田付け面のズレ量、及び金具半田付け面のズレ量は、基準面 □ に対し、上方向 0.1MAXIMUM 下方向 0.15MAXIMUM とする。
又、相互のバラツキ量は 0.1MAXIMUM とする。
MISALIGNMENT OF SOLDER TAILS AND FITTING NAILS FROM □
UPPER DIRECTION : 0.1 MAXIMUM, LOWER DIRECTION : 0.15 MAXIMUM.
OFFSET BETWEEN SOLDER TAILS AND FITTING NAILS : 0.1 MAXIMUM.
- 偶数極に適用。
TO BE APPLIED ONLY WHEN ALL CIRCUIT ARE EVEN.
- R0.3は、FPCの導体部にかからないこと。
R0.3 MUST NOT BE OVERLAPPED TO PATTERN OF FPC.

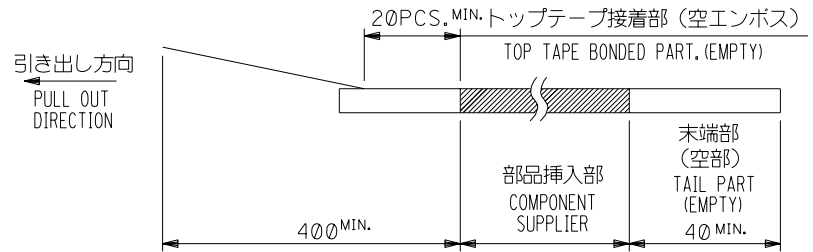
- FPC/FFCについて:
打抜き方向は導体側から補強板側を推奨いたします。
導体部については軟銅箔35μmまたは50μm
メッキ厚 3 ~ 9 μm 錫メッキ (電気メッキ)
を推奨いたします。
RECOMMENDED PUNCHER DIRECTION :
FROM CONDUCTOR SIDE TO STIFFENER BOARD SIDE.
RECOMMENDED CONDUCTOR SPEC :
THICKNESS OF SOFT COPPER FOIL : 35 μm or 50 μm
TIN OR SOLDER PLATING : 3 ~ 9 μm (ELECTRICAL PLATING)
- 本製品は51281-**-20の鉛フリー品である。
THIS PRODUCT IS LEAD FREE OF 51281-**-20.

| | | | | | | | | | | | | | | | | | | | | | | | |
|-------------------------------------|--|--|--|---|--|---|--|---|--|-------------------------------------|--|---|--|--|--|--|--|--|--|------------------------------------|--|-----|--|
| EC NO. DRWN: CHK: APPR: | | EC NO. DRWN: CHK: APPR: | | EC NO. DRWN: CHK: APPR: | | REVISED EC NO. J2004-2296 DRWN: M.NINOMIYA 04/02/05 CHK: K.TOJO 04/02/05 APPR: M.SASAO 04/02/05 | | RELEASED EC NO. J2004-1676 DRWN: Y.WADA 03/12/22 CHK: M.SASAO 03/12/22 APPR: M.SASAO 03/12/22 | | MATERIAL 材料 注記参照 SEE CHART | | GENERAL TOLERANCES: (UNLESS SPECIFIED) 一般公差 | | 51281-**-30 | | MODEL NO. | | DIMENSIONS: <input type="checkbox"/> mm <input type="checkbox"/> INCH <input checked="" type="checkbox"/> mm ONLY | | SHT | | REV | |
| 10 UNDER 未満 | | ±0.2 | | 10 OVER 以上 | | 30 UNDER 未満 | | ±0.25 | | 10 OVER 以上 | | ±0.3 | | SCALE —/— | | DESIGN UNITS <input checked="" type="checkbox"/> mm <input type="checkbox"/> INCH | | THIRD ANGLE PROJECTION | | REVISIONS REVISE ON CAD ONLY | | | |
| DRAWN BY & DATE Y.WADA '03/12/22 | | CHECKED BY & DATE M.SASAO '03/12/22 | | APPROVED BY & DATE M.SASAO '03/12/22 | | CAD FILENAME SD-51281-009.S02 | | MATERIAL NO. 51281-**-30 | | DRAWING NO. SD-51281-009 | | SHEET NO. 2 OF 2 | | TITLE: 0.5 FPC Conn NON-ZIF Hsg Assy (Hgt=1.2mm) -LEAD FREE- | | MOLEX INCORPORATED | | | | | | | |
| WIRE RANGE 適用電線範囲 | | ANGLE 角度 | | ±3° | | THIS DRAWING CONTAINS INFORMATION THAT IS PROPRIETARY TO MOLEX INCORPORATED AND SHOULD NOT BE USED WITHOUT WRITTEN PERMISSION. | | SIZE B | | | | | | | | | | | | | | | |

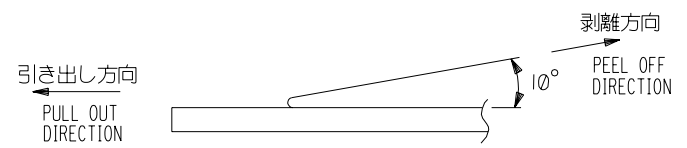


NOTES

- 製品詳細寸法については図面 SD-51281-009 を参照下さい。
RE DETAILED DIMENSION, SEE SD-51281-009.
- 梱包数量：3000個/リール
NUMBER OF CONNECTORS : 3000PCS/REEL
- リードテープ長さ LEAD TAPE LENGTH



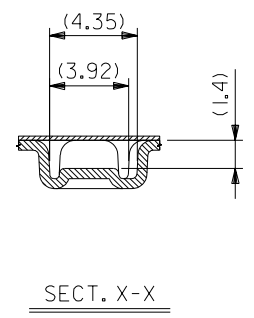
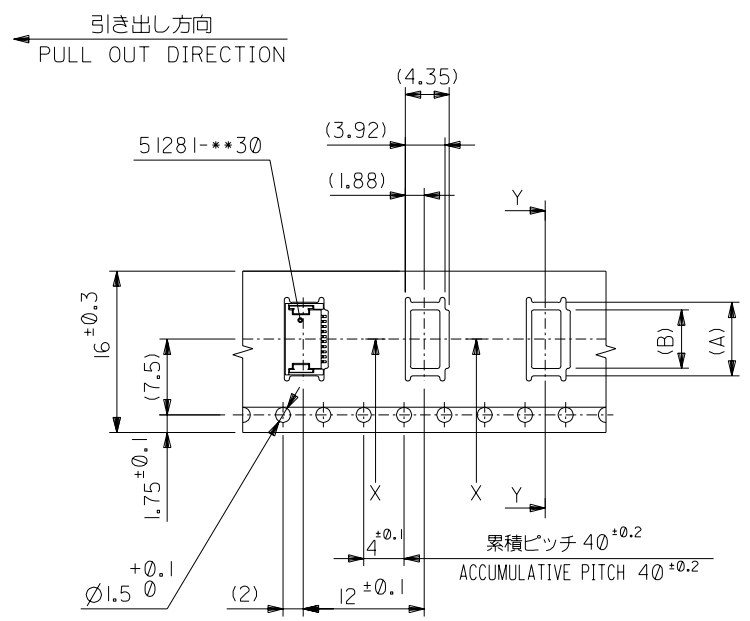
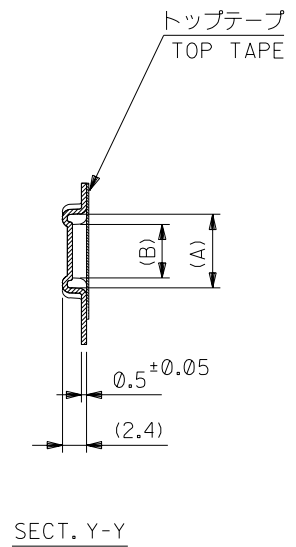
- トップテープの剥離強度：0.1N~1.3N {10gf~130gf}
(剥離方向は下図参照)
尚、本規格値は出荷時に適用。(但し、輸送時に剥離が発生しないこと。)
PEELING OFF FORCE OF TOP TAPE : 0.1N~1.3N {10gf~130gf}
(PEELING DIRECTION AS SHOWN IN FOLLOWING FIG.)
THIS REQUIREMENT SHOULD BE APPLIED AT SHIPMENT.
PEEL OFF SHOULD NOT BE ALLOWED , DURING TRANSPORTATION.



- 材料 (MATERIAL)
キャリアテープ (CARRIER TAPE) : ポリプロピレン (POLYPROPYLENE)
トップテープ (TOPTAPE) : PET , PE , PEF
リール (REEL) : ポリスチレン (PS) <リサイクル材含む>
POLYSTYREN (PS) <RECYCLE MATERIAL CONTAINED>
- C寸法は SHEET 2 ~ 3 を参照下さい。
SEE SHEET 2 ~ 3 (DIMENSION C).
- 本製品は51281-**-**91の鉛フリー品である。
THIS PRODUCT IS LEAD FREE OF 51281-**-**91.

DO NOT SCALE DRAWING

| | | | | | | | | | | | | | |
|--|----------------------------------|----------------------------------|----------------------------------|---|----------------------|-------------------|---|-------------------|---|---------------------------|-------------------------------------|--|---------|
| EC NO. DRWN: CHK: APPR: | EC NO. DRWN: CHK: APPR: | EC NO. DRWN: CHK: APPR: | EC NO. DRWN: CHK: APPR: | RELEASD EC NO. J2004-1676 DRWN: Y.WADA '03/12/22 CHK: M.SASAO '03/12/22 APPR: M.SASAO '03/12/22 | MATERIAL 材料 | 注記参照 SEE CHART | GENERAL TOLERANCES: (UNLESS SPECIFIED) 一般公差 | SCALE | DESIGN UNITS | THIRD ANGLE PROJECTION | DIMENSIONS: | SHT | REV |
| | | | | | FINISH 仕上げ | | | 注記参照 SEE CHART | 10 UNDER 未満 | ±0.2 | DRAWN BY & DATE Y.WADA '03/12/22 | TITLE: 0.5 FPC Conn NON-ZIF (Hgt=1.2mm) Embstp Pkg -LEAD FREE- | mm INCH |
| | | | | | WIRE RANGE 適用電線範囲 | | 10 OVER 30 UNDER 未満 | ±0.25 | CHECKED BY & DATE M.SASAO '03/12/22 | | | | |
| | | | | | INS. RANGE 被覆外径 | | 30 OVER 以上 | ±0.3 | APPROVED BY & DATE M.SASAO '03/12/22 | | | | |
| | | | | | REV | | ANGLE 角度 | ±3° | CAD FILENAME SD-51281-010.S01 | MATERIAL NO. SEE CHART | DRAWING NO. SD-51281-010 | SHEET NO. 1 OF 4 | |
| THIS DRAWING CONTAINS INFORMATION THAT IS PROPRIETARY TO MOLEX INCORPORATED AND SHOULD NOT BE USED WITHOUT WRITTEN PERMISSION. | | | | | | | | | | | SIZE B | | |

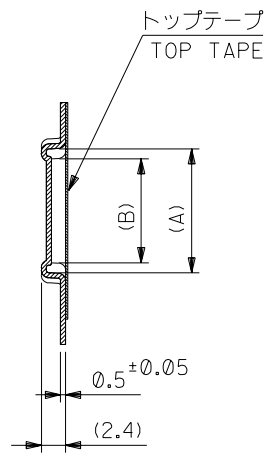


16mm幅キャリアテープ
16mm WIDTH CARRIER TAPE

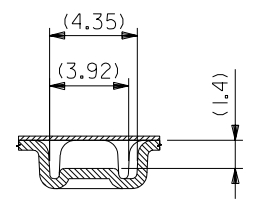
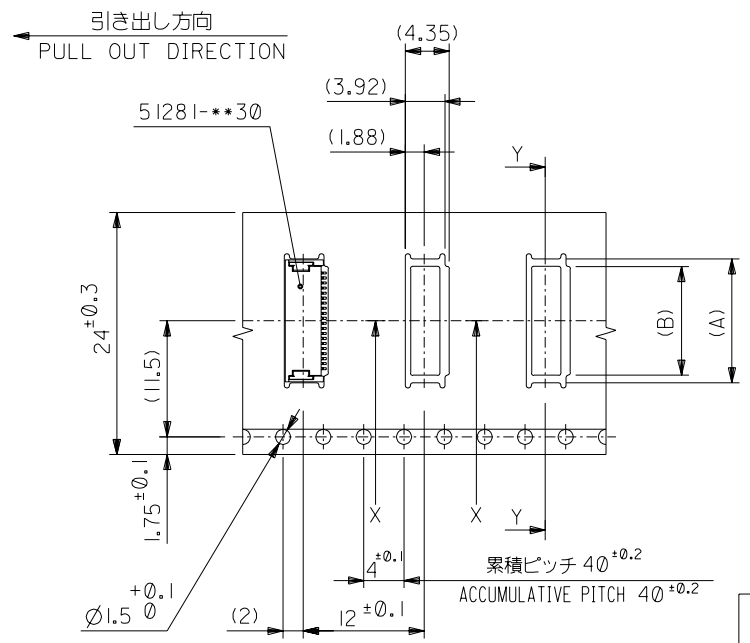
| | | | | | |
|--|-------------------|------------------------|-----------|--|-----------|
| 16 | 17.5 | 4.3 | 6.3 | 51281-0892 | 8 |
| | | 3.3 | 5.3 | 51281-0692 | 6 |
| | | 2.8 | 4.8 | 51281-0592 | 5 |
| キャリアテープ幅 CARRIER TAPE WIDTH | C | (B) | (A) | 製品番号 MATERIAL No. | 種数 Ck+ |
| 51281-**92 | MODEL NO. | DIMENSIONS: | | SHT | REV |
| SCALE | DESIGN UNITS | THIRD ANGLE PROJECTION | | REVISION ON CAD ONLY | |
| Y.WADA '03/12/22 | Y.WADA '03/12/22 | TITLE: | | 0.5 FPC Conn NON-ZIF (Hg+=1.2mm) Embstp Pkg -LEAD FREE- | |
| M.SASAO '03/12/22 | M.SASAO '03/12/22 | MOLEX INCORPORATED | | | |
| CAD FILENAME | MATERIAL NO. | DRAWING NO. | SHEET NO. | | |
| SD-51281-010.S02 | SEE CHART | SD-51281-010 | 2 OF 4 | | |
| THIS DRAWING CONTAINS INFORMATION THAT IS PROPRIETARY TO MOLEX INCORPORATED AND SHOULD NOT BE USED WITHOUT WRITTEN PERMISSION. | | | | | SIZE B |

DO NOT SCALE DRAWING

| | | | | | | | |
|----------------------------------|----------------------------------|----------------------------------|----------------------------------|----------------------------------|---|--|---|
| EC NO. DRWN: CHK: APPR: | EC NO. DRWN: CHK: APPR: | EC NO. DRWN: CHK: APPR: | EC NO. DRWN: CHK: APPR: | EC NO. DRWN: CHK: APPR: | RELEASD EC NO. J2004-1676 DRWN: Y.WADA '03/12/22 CHK: M.SASAO '03/12/22 APPR: M.SASAO '03/12/22 | MATERIAL 材料 SHEET 1 OF 4 参照 REFER TO SHEET 1 OF 4 | GENERAL TOLERANCES: (UNLESS SPECIFIED) 一般公差 |
| | | | | | | FINISH 仕上げ | 10 UNDER 未満 ±0.2 |
| | | | | | | WIRE RANGE 適用電線範囲 | 10 OVER 30 UNDER 未満 ±0.25 |
| | | | | | | INS. RANGE 被覆外径 | 30 OVER 以上 ±0.3 |
| | | | | | | ANGLE 角度 | ±3° |



SECT. Y-Y



SECT. X-X

24mm幅キャリアテープ
24mm WIDTH CARRIER TAPE

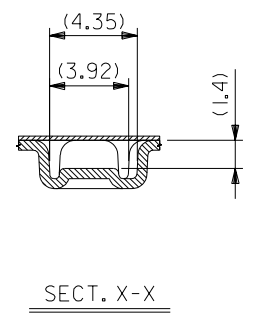
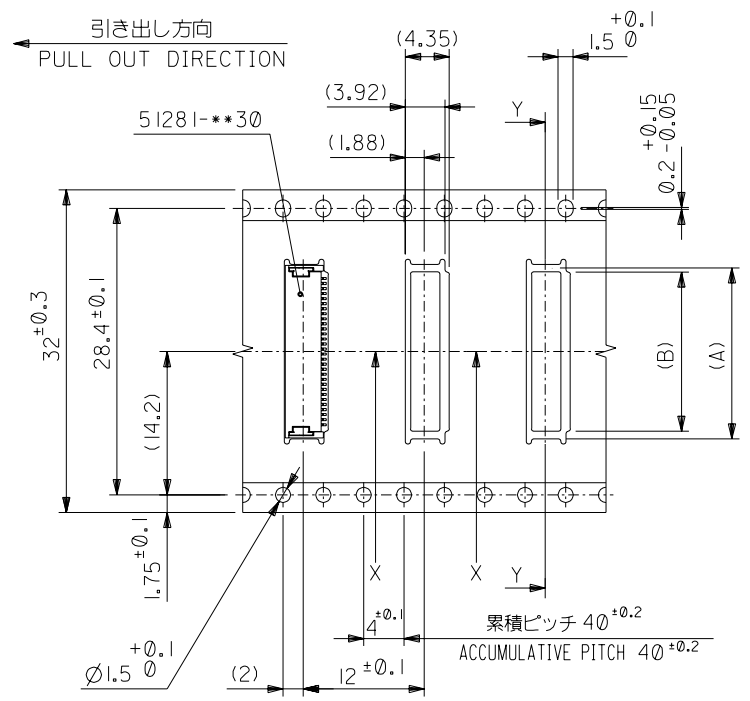
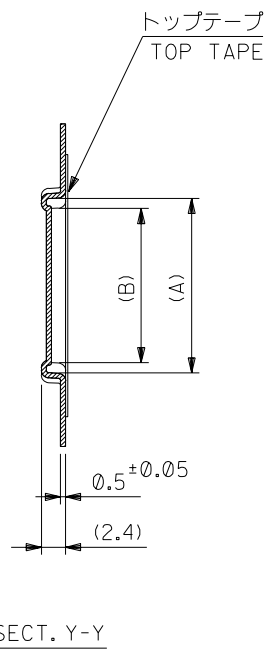
| | | | | | | |
|--------------------------------|------|------------|------|------------|----------------------|-----------|
| 24 | 25.5 | 12.3 | 14.3 | 51281-2492 | 24 | |
| | | 11.3 | 13.3 | 51281-2292 | 22 | |
| | | 10.3 | 12.3 | 51281-2092 | 20 | |
| | | 9.3 | 11.3 | 51281-1892 | 18 | |
| | | 8.3 | 10.3 | 51281-1692 | 16 | |
| | | 7.3 | 9.3 | 51281-1492 | 14 | |
| | | 6.3 | 8.3 | 51281-1292 | 12 | |
| | | 5.3 | 7.3 | 51281-1092 | 10 | |
| 4.8 | 6.8 | 51281-0992 | 9 | | | |
| キャリアテープ幅 CARRIER TAPE WIDTH | | C | (B) | (A) | 製品番号 MATERIAL No. | 種数 Ck+ |

| | | | | | | | | | | |
|----------------------------------|----------------------------------|----------------------------------|----------------------------------|----------------------------------|--|--|---|--|-------------------------------------|--|
| EC NO. DRWN: CHK: APPR: | EC NO. DRWN: CHK: APPR: | EC NO. DRWN: CHK: APPR: | EC NO. DRWN: CHK: APPR: | EC NO. DRWN: CHK: APPR: | RELEASED EC NO. J2004-1676 DRWN: Y.WADA '03/12/22 CHK: M.SASAO '03/12/22 APPR: M.SASAO '03/12/22 | MATERIAL 材料 SHEET 1 OF 4 参照 REFER TO SHEET 1 OF 4 | GENERAL TOLERANCES: (UNLESS SPECIFIED) 一般公差 | SCALE --#-- DESIGN UNITS <input checked="" type="checkbox"/> mm <input type="checkbox"/> INCH | DRAWN BY & DATE Y.WADA '03/12/22 | TITLE: 0.5 FPC Conn NON-ZIF (Hg+=1.2mm) Embstp Pkg -LEAD FREE- |
| | | | | | DESCRIPTION | FINISH 仕上げ | 10 UNDER 未満 ±0.2 | 30 UNDER 未満 ±0.25 | 30 OVER 以上 ±0.3 | CHECKED BY & DATE M.SASAO '03/12/22 |
| | | | | | WIRE RANGE 適用電線範囲 | | ANGLE 角度 | APPROVED BY & DATE M.SASAO '03/12/22 | CAD FILENAME SD-51281-010.S03 | MOLEX MOLEX INCORPORATED |
| | | | | | INS. RANGE 被覆外径 | | | CAD FILENAME SD-51281-010.S03 | MATERIAL NO. SEE CHART | DRAWING NO. SD-51281-010 |

| | | | | | |
|--|-----------|---|----------------------------------|-----|--------------------|
| 51281-***92 | MODEL NO. | DIMENSIONS: | | SHT | REV |
| | | <input type="checkbox"/> mm <input type="checkbox"/> INCH | <input type="checkbox"/> mm ONLY | | REVISE ON CAD ONLY |
| THIRD ANGLE PROJECTION | | | | | |
| THIS DRAWING CONTAINS INFORMATION THAT IS PROPRIETARY TO MOLEX INCORPORATED AND SHOULD NOT BE USED WITHOUT WRITTEN PERMISSION. | | | | | |
| | | | | | SIZE B |

DO NOT SCALE DRAWING

DWG. NO.
SD-51281-010



32mm幅キャリアテープ
32mm WIDTH CARRIER TAPE

| | | | | | |
|---|--|--|--------------|----------------------------------|--------------------|
| 32 | 33.5 | 13.3 | 15.3 | 51281-2692 | 26 |
| キャリアテープ幅 CARRIER TAPE WIDTH | | | C | (B) | (A) |
| 51281-**92 | | | | MODEL NO. | DIMENSIONS: |
| SCALE | DESIGN UNITS | THIRD ANGLE PROJECTION | | SHT | REV |
| —/— | <input checked="" type="checkbox"/> mm <input type="checkbox"/> INCH | <input checked="" type="checkbox"/> mm <input type="checkbox"/> INCH | | <input type="checkbox"/> mm ONLY | REVISE ON CAD ONLY |
| DRAWN BY & DATE Y.WADA '03/12/22 | | TITLE: 0.5 FPC Conn NON-ZIF (Hg+=1.2mm) Embstp Pkg -LEAD FREE- | | | |
| CHECKED BY & DATE M.SASAO '03/12/22 | | MOLEX INCORPORATED | | | |
| APPROVED BY & DATE M.SASAO '03/12/22 | | MATERIAL NO. | DRAWING NO. | SHEET NO. | |
| CAD FILENAME SD-51281-010.S04 | | SEE CHART | SD-51281-010 | 4 OF 4 | |

| | | | | | | | |
|----------------------------------|----------------------------------|----------------------------------|----------------------------------|----------------------------------|--|--|---|
| EC NO. DRWN: CHK: APPR: | EC NO. DRWN: CHK: APPR: | EC NO. DRWN: CHK: APPR: | EC NO. DRWN: CHK: APPR: | EC NO. DRWN: CHK: APPR: | RELEASED EC NO. J2004-1676 DRWN: Y.WADA '03/12/22 CHK: M.SASAO '03/12/22 APPR: M.SASAO '03/12/22 | MATERIAL 材料 SHEET 1 OF 4 参照 REFER TO SHEET 1 OF 4 | GENERAL TOLERANCES: (UNLESS SPECIFIED) 一般公差 |
| | | | | | DESCRIPTION | FINISH 仕上げ | 10 UNDER 未満 ±0.2 |
| | | | | | WIRE RANGE 適用電線範囲 | —//— | 10 OVER 30 UNDER 未満 ±0.25 |
| | | | | | INS. RANGE 被覆外径 | —//— | 30 OVER 以上 ±0.3 |
| | | | | | REV | ANGLE 角度 | ±3° |

DO NOT SCALE DRAWING

THIS DRAWING CONTAINS INFORMATION THAT IS PROPRIETARY TO MOLEX INCORPORATED AND SHOULD NOT BE USED WITHOUT WRITTEN PERMISSION. SIZE B