



**LAPP LIMITED**

LAPP LIMITED  
46-50 Standard Road  
LONDON  
NW10 6EF  
Tel: (020) 8963 7000  
Fax: (020) 8965 2780

Formerly Oskar Lapp Ltd and Contact Connectors Ltd

Email: [sales@lappcable.com](mailto:sales@lappcable.com)  
Website: [www.lappcable.com](http://www.lappcable.com)

Registered in England No. 1497180.  
Registered Office: 146 New Cavendish Street,  
London W1M 7FG



**EPIC<sup>®</sup> MIL-C**  
**MIL-C-26482**  
**CPT SERIES**  
**MINATURE BAYONET FIT**

Registered in England  
No. 1497180. Registered Office:  
146 New Cavendish Street,  
London W1M 7FG

A Lapp Group Company  
Lapp Insulator is not affiliated with  
Lapp Limited or the Lapp Group

## **Contents**

|      |       |                              |
|------|-------|------------------------------|
| Page | 2     | General description          |
|      | 2-3   | Technical characteristics    |
|      | 4     | Contact dimensions           |
|      | 5-8   | Contact arrangements         |
|      | 9-10  | Application classes & styles |
|      | 11-53 | Connector shell styles       |
|      | 54-66 | Accessories                  |
|      | 67    | How to order                 |
|      | 68    | Notes                        |



## General description

CPT series , miniature bayonet lock connectors , are designed to conform to the materials and performance requirements of MIL-C-26482 series 1 specification.

Interchangeability and reliability with other connectors conforming to this specification is assured.

CPT connectors are also available with modification options such as crimp or P. C.B. contacts , various contact or shell plating finishes and others that are available on request.

A full range of accessories is also available.

## Technical characteristics

### Shells

Aluminium alloy according to QQ-A-591 .  
Stainless steel coupling pins .

### Platings

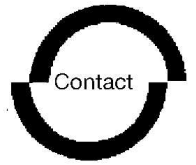
- Olive Drab cadmium plating according to QQ-P-416
- Cationic electro deposition anti corrosion plating
- Bright nickel
- Zn-Co
- Cadmium free plating ( black DEC )

### Contacts

Copper alloy with gold plating over nickel .

### Inserts

High insulation synthetic rubber , oil and low temperatures resistant (-55°C +125°C) , in accordance with MIL - R - 3065 .



Technical characteristics

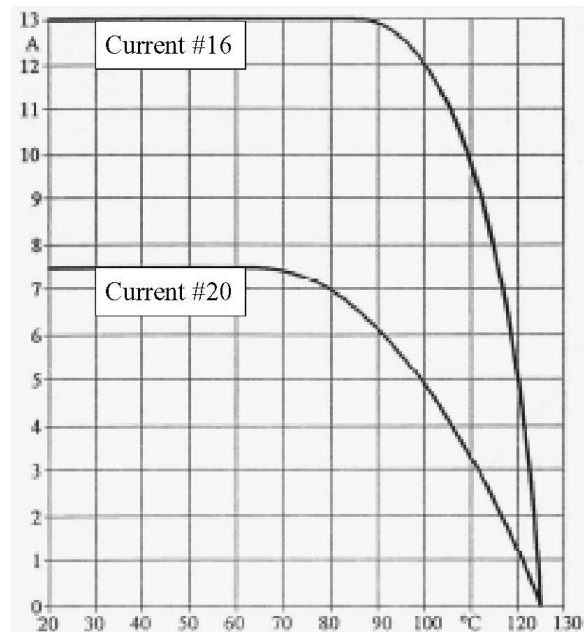
Service rating ( Min insulation resistance :  $\geq 5 \times 10^3 \text{ M}\Omega$  )

| Class | Operating voltage AC | Operating voltage DC | Test voltage AC |
|-------|----------------------|----------------------|-----------------|
| I     | 600                  | 700                  | 1500            |
| II    | 1000                 | 1250                 | 2300            |

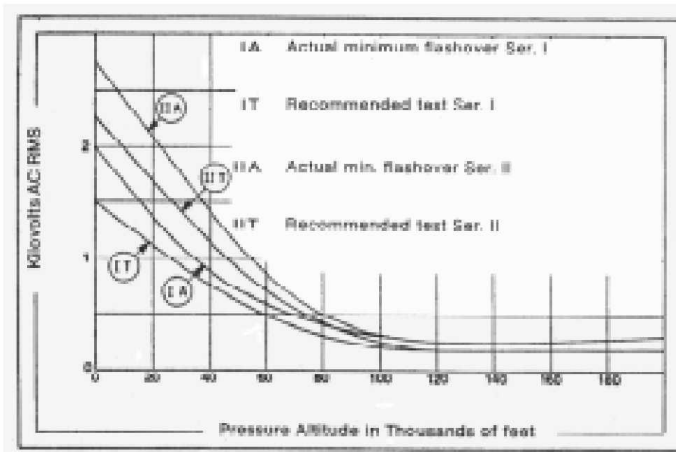
Potential drop

| Contact size | Test current | Potential drop |
|--------------|--------------|----------------|
| 20           | 7.5 A        | 25 mV          |
| 16           | 13.0 A       | 21 mV          |

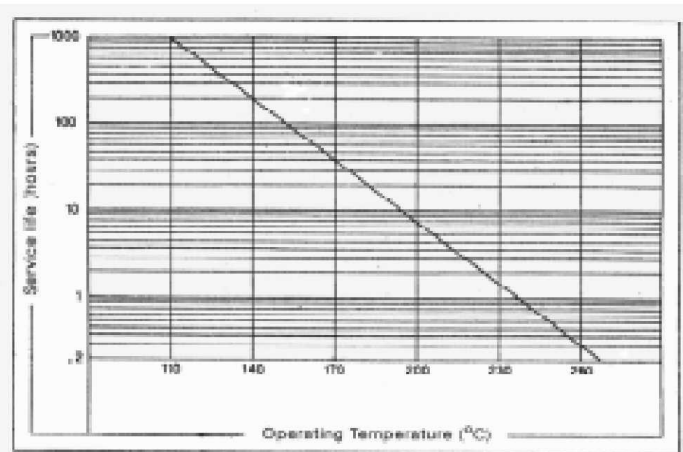
Rated current versus temperature



Flash over versus altitude

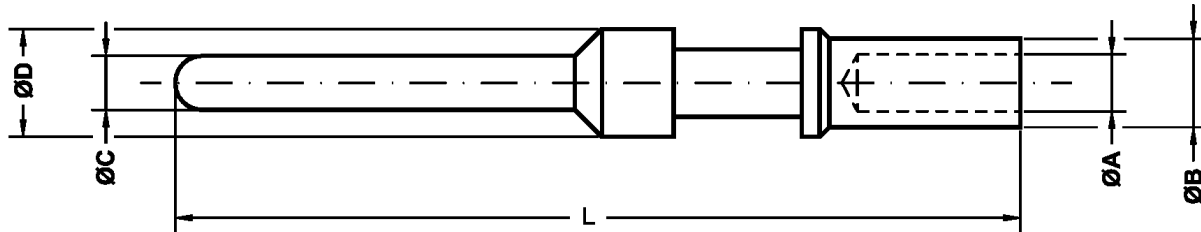


Time versus temperature



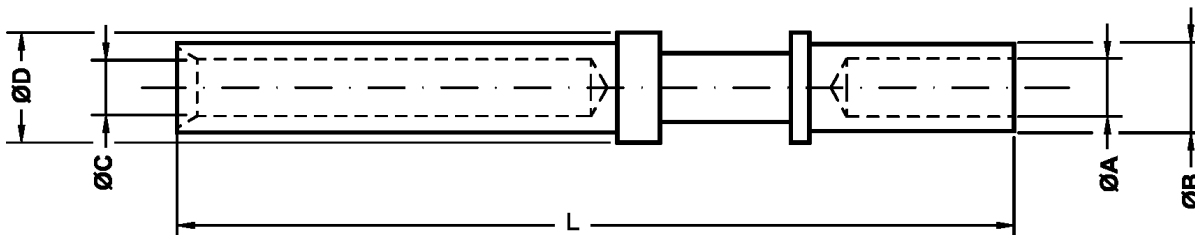


**CPT-C male crimp contacts**



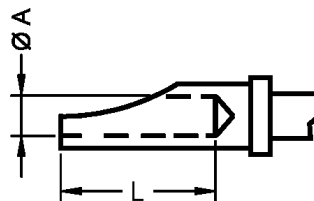
| P/N       | Size | mmq | AWG | A<br>+0.03<br>-0 | B<br>+0.02<br>-0.02 | C<br>±0.02 | D<br>+0<br>-0.03 | L<br>±0.1 |
|-----------|------|-----|-----|------------------|---------------------|------------|------------------|-----------|
| 10-374-20 | 20S  | 0.6 | 20  | 1.30             | 1.93                | 1.00       | 2.0              | 20.37     |
| 10-375-20 | 20   | 0.6 | 20  | 1.30             | 1.93                | 1.00       | 2.0              | 24.33     |
| 10-374-16 | 16S  | 1.2 | 16  | 1.72             | 2.60                | 1.57       | 3.2              | 22.30     |
| 10-375-16 | 16   | 1.2 | 16  | 1.72             | 2.60                | 1.57       | 3.2              | 25.80     |

**CPT-C female crimp contacts**



| P/N       | Size | mmq | AWG | A<br>+0.03<br>-0 | B<br>+0.02<br>-0.02 | C<br>±0.02 | D<br>+0<br>-0.03 | L<br>±0.1 |
|-----------|------|-----|-----|------------------|---------------------|------------|------------------|-----------|
| 10-571-20 | 20S  | 0.6 | 20  | 1.30             | 1.93                | 1.08       | 1.96             | 20.40     |
| 10-573-20 | 20   | 0.6 | 20  | 1.30             | 1.93                | 1.08       | 1.96             | 24.40     |
| 10-571-16 | 16S  | 1.2 | 16  | 1.72             | 2.60                | 1.65       | 2.80             | 22.25     |
| 10-573-16 | 16   | 1.2 | 16  | 1.72             | 2.60                | 1.65       | 2.80             | 25.80     |

**Solder contact dimensions**



| Contact size | Ø A  | L    | AWG Max. | Max. wire section |
|--------------|------|------|----------|-------------------|
| 20           | 1.16 | 3.17 | 20       | 0.6 mmq           |
| 16           | 1.98 | 4.77 | 16       | 1.2 mmq           |
| 16 - 2.5     | 3.00 | 6.10 | -        | 2.5 mmq           |

**Contact arrangements**









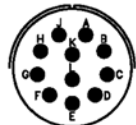

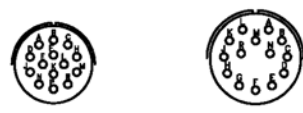

| Arrangement | Rating | contact size |    |
|-------------|--------|--------------|----|
|             |        | 20           | 16 |
| 8 - 2       | I      | 2            |    |
| 8 - 3       | I      | 3            |    |
| 8 - 3A      | I      | 3            |    |
| 8 - 4       | I      | 4            |    |
| 8 - 33      | I      | 3            |    |
| 10 - 2      | II     |              | 2  |
| 10 - 6      | I      | 6            |    |
| 10 - 7      | I      | 7            |    |
| 10 - 8      | I      | 8            |    |
| 10 - 98     | I      | 6            |    |
| 12 - 3      | II     |              | 3  |
| 12 - 4      | I      |              | 4  |
| 12 - 8      | I      | 8            |    |
| 12 - 10     | I      | 10           |    |
| 12 - 14     | I      | 14           |    |
| 14 - 5      | II     |              | 5  |
| 14 - 12     | I      | 8            | 4  |
| 14 - 12/3   | II     |              | 12 |
| 14 - 14     | I      | 14           |    |
| 14 - 15     | I      | 14           | 1  |
| 14 - 18     | I      | 18           |    |
| 14 - 19     | I      | 19           |    |
| 16 - 2      | I      |              | 2  |
| 16 - 8      | II     |              | 8  |
| 16 - 23     | I      | 22           | 1  |
| 16 - 26     | I      | 26           |    |
| 16 - 99     | I      | 21           | 2  |
| 18 - 11     | II     |              | 11 |
| 18 - 30     | I      | 29           | 1  |
| 18 - 32     | I      | 32           |    |
| 20 - 16     | II     |              | 16 |
| 20 - 24     | I      | 24           |    |
| 20 - 25     | I      | 25           |    |
| 20 - 27     | I      | 27           |    |
| 20 - 39     | I      | 37           | 2  |
| 20 - 41     | I      | 41           |    |
| 22 - 21     | II     |              | 21 |
| 22 - 32     | I      | 32           |    |
| 22 - 34     | I      | 34           |    |
| 22 - 36     | I      | 36           |    |
| 22 - 41     | I      | 27           | 14 |
| 22 - 55     | I      | 55           |    |
| 24 - 61     | I      | 61           |    |

**Alternate insert orientations**

| Arrangement | Degrees |     |     |     |
|-------------|---------|-----|-----|-----|
|             | W       | X   | Y   | Z   |
| 8 - 2       | 58      | 122 |     |     |
| 8 - 3       | 60      | 210 |     |     |
| 8 - 3A      | 60      |     |     |     |
| 8 - 4       | 45      |     |     |     |
| 8 - 33      | 90      |     |     |     |
| 10 - 2      |         |     |     |     |
| 10 - 6      | 90      |     |     |     |
| 10 - 7      | 90      |     |     |     |
| 10 - 8      |         |     |     |     |
| 10 - 98     | 90      | 180 | 240 | 270 |
| 12 - 3      |         |     | 180 |     |
| 12 - 4      | 38      |     |     |     |
| 12 - 8      | 90      | 112 | 203 | 292 |
| 12 - 10     | 60      | 155 | 270 | 295 |
| 12 - 14     | 60      | 155 | 270 | 295 |
| 14 - 5      | 40      | 92  | 184 | 273 |
| 14 - 12     | 43      | 90  |     |     |
| 14 - 12/3   |         |     |     |     |
| 14 - 14     | 17      | 110 | 155 | 234 |
| 14 - 15     | 17      | 110 | 155 | 234 |
| 14 - 18     | 15      | 90  | 180 | 270 |
| 14 - 19     | 30      | 165 | 315 |     |
| 16 - 2      |         |     |     |     |
| 16 - 8      | 54      | 152 | 180 | 331 |
| 16 - 23     | 158     | 270 |     |     |
| 16 - 26     | 60      |     | 275 | 338 |
| 16 - 99     | 66      | 156 | 223 | 340 |
| 18 - 11     | 62      | 119 | 241 | 340 |
| 18 - 30     | 180     | 193 | 285 | 350 |
| 18 - 32     | 85      | 138 | 222 | 265 |
| 20 - 16     | 238     | 318 | 333 | 347 |
| 20 - 24     | 70      | 145 | 215 | 290 |
| 20 - 25     | 72      | 144 | 216 | 288 |
| 20 - 27     | 72      | 144 | 216 | 288 |
| 20 - 39     | 63      | 144 | 252 | 333 |
| 20 - 41     | 45      | 126 | 225 |     |
| 22 - 21     | 16      | 135 | 175 | 349 |
| 22 - 32     | 72      | 145 | 215 | 288 |
| 22 - 34     | 62      | 142 | 218 | 298 |
| 22 - 36     | 72      | 144 | 216 | 288 |
| 22 - 41     | 39      | 135 | 264 |     |
| 22 - 55     | 30      | 142 | 226 | 314 |
| 24 - 61     | 90      | 180 | 270 | 324 |

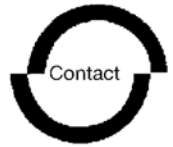
Contact arrangement

Front view of male insert

|  |  |  |  |
|--|--|--|--|
| <p><b>2 CONTACTS</b></p> <p>ARRANGEMENT<br/>CONTACT SIZE<br/>SERVICE RATING</p>  |  <p>8-2<br/>20<br/>I</p> <p>10-2<br/>16 16<br/>II</p> <p>16-2<br/>16 16<br/>I</p> | <p><b>3 CONTACTS</b></p> <p>ARRANGEMENT<br/>CONTACT SIZE<br/>SERVICE RATING</p>  |  <p>8-3<br/>20<br/>I</p> <p>8-3A<br/>16 16<br/>I</p> <p>8-33<br/>16 16<br/>I</p> <p>12-3<br/>16 16<br/>II</p> |
| <p><b>4 CONTACTS</b></p> <p>ARRANGEMENT<br/>CONTACT SIZE<br/>SERVICE RATING</p>  |  <p>8-4<br/>20<br/>I</p> <p>12-4<br/>16 16<br/>I</p>                              | <p><b>5 CONTACTS</b></p> <p>ARRANGEMENT<br/>CONTACT SIZE<br/>SERVICE RATING</p>  |  <p>14-5<br/>16<br/>II</p>  |
| <p><b>6 CONTACTS</b></p> <p>ARRANGEMENT<br/>CONTACT SIZE<br/>SERVICE RATING</p>  |  <p>10-6<br/>20<br/>I</p> <p>10-98*<br/>20<br/>I</p>                             | <p><b>7 CONTACTS</b></p> <p>ARRANGEMENT<br/>CONTACT SIZE<br/>SERVICE RATING</p>  |  <p>10-7<br/>20<br/>I</p>  |
| <p><b>8 CONTACTS</b></p> <p>ARRANGEMENT<br/>CONTACT SIZE<br/>SERVICE RATING</p>  |  <p>10-8<br/>20<br/>I</p> <p>12-8<br/>20<br/>I</p> <p>16-8<br/>16<br/>II</p>    | <p><b>10 CONTACTS</b></p> <p>ARRANGEMENT<br/>CONTACT SIZE<br/>SERVICE RATING</p> |  <p>12-10<br/>20<br/>I</p>  |
| <p><b>11 CONTACTS</b></p> <p>ARRANGEMENT<br/>CONTACT SIZE<br/>SERVICE RATING</p> |  <p>18-11<br/>16<br/>II</p>   | <p><b>12 CONTACTS</b></p> <p>ARRANGEMENT<br/>CONTACT SIZE<br/>SERVICE RATING</p> |  <p>14-12<br/>8-20,4-16<br/>I</p> <p>14-12/3<br/>16<br/>II</p>   |
| <p><b>14 CONTACTS</b></p> <p>ARRANGEMENT<br/>CONTACT SIZE<br/>SERVICE RATING</p> |  <p>12-14<br/>20<br/>I</p> <p>14-14*<br/>20<br/>I</p>                           | <p><b>15 CONTACTS</b></p> <p>ARRANGEMENT<br/>CONTACT SIZE<br/>SERVICE RATING</p> |  <p>14-15<br/>14-20,1-16<br/>I</p>  |

CONTACT LEGEND





Contact arrangements

|  |  |  |
|--|--|--|
| <p><b>16 CONTACTS</b></p> <p>ARRANGEMENT<br/>CONTACT SIZE<br/>SERVICE RATING</p> |  | <p><b>18 CONTACTS</b></p> <p>ARRANGEMENT<br/>CONTACT SIZE<br/>SERVICE RATING</p> |
| <p><b>19 CONTACTS</b></p> <p>ARRANGEMENT<br/>CONTACT SIZE<br/>SERVICE RATING</p> |  | <p><b>21 CONTACTS</b></p> <p>ARRANGEMENT<br/>CONTACT SIZE<br/>SERVICE RATING</p> |
| <p><b>23 CONTACTS</b></p> <p>ARRANGEMENT<br/>CONTACT SIZE<br/>SERVICE RATING</p> | <p><b>23 CONTACTS</b></p> <p>ARRANGEMENT<br/>CONTACT SIZE<br/>SERVICE RATING</p> | <p><b>24 CONTACTS</b></p> <p>ARRANGEMENT<br/>CONTACT SIZE<br/>SERVICE RATING</p> |
| <p><b>25 CONTACTS</b></p> <p>ARRANGEMENT<br/>CONTACT SIZE<br/>SERVICE RATING</p> |  | <p><b>26 CONTACTS</b></p> <p>ARRANGEMENT<br/>CONTACT SIZE<br/>SERVICE RATING</p> |
| <p><b>27 CONTACTS</b></p> <p>ARRANGEMENT<br/>CONTACT SIZE<br/>SERVICE RATING</p> |  | <p><b>30 CONTACTS</b></p> <p>ARRANGEMENT<br/>CONTACT SIZE<br/>SERVICE RATING</p> |
| <p><b>32 CONTACTS</b></p> <p>ARRANGEMENT<br/>CONTACT SIZE<br/>SERVICE RATING</p> | <p><b>32 CONTACTS</b></p> <p>ARRANGEMENT<br/>CONTACT SIZE<br/>SERVICE RATING</p> | <p><b>34 CONTACTS</b></p> <p>ARRANGEMENT<br/>CONTACT SIZE<br/>SERVICE RATING</p> |

CONTACT LEGEND





Contact arrangements

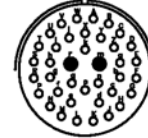
36 CONTACTS

ARRANGEMENT  
CONTACT SIZE  
SERVICE RATING



22-36\*  
20  
I

39 CONTACTS



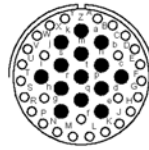
20-39\*  
37-20,2-16  
I

41 CONTACTS

ARRANGEMENT  
CONTACT SIZE  
SERVICE RATING



20-41\*  
20  
I



22-41  
27-20,14-16  
I

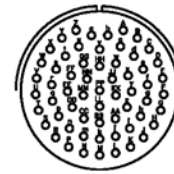
55 CONTACTS

ARRANGEMENT  
CONTACT SIZE  
SERVICE RATING



22-55  
20  
I

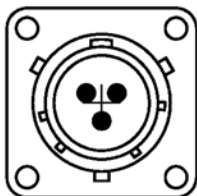
61 CONTACTS



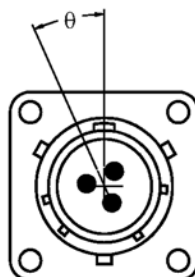
24-61\*  
20  
I

Insert rotation

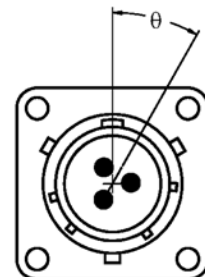
Normal position  
with pin contacts



Alternate position  
with socket contacts

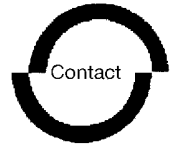


Alternate position  
with pin contacts



CONTACT LEGEND





## Connector classes

A : For general applications .  
MS 3057 cable clamps must be ordered separately. No grommet supplied.

A...PG : Plug with straight backshell PG threaded in compliance with DIN 40430 .

A...PG : Plug with straight backshell and PG cable clamp in compliance with DIN 40430 .

A...PHM : Quick and easy assembly , water resistant to IP67 . Supplied with different diameter sleeves to suit varying cable sizes.

A...PHM EMI : Quick and easy assembly , water resistant to IP67 , suitable for shielded cables . Supplied with different diameter sleeves to suit varying cable sizes.

A...SR : Same as class A , but with reduced cable clamp and rubber sleeve for cable protection.

E : Suitable for use with single cables.  
Environmental sealing provided through insert seal and grommet seal.  
No cable clamp supplied.

E...SR : Same as class E , but with reduced cable clamp and rubber sleeve for cable protection.

G : Plug with straight backshell for heatshrink sleeving .

J : Same as class W , but with cable clamp for improved strain relief.

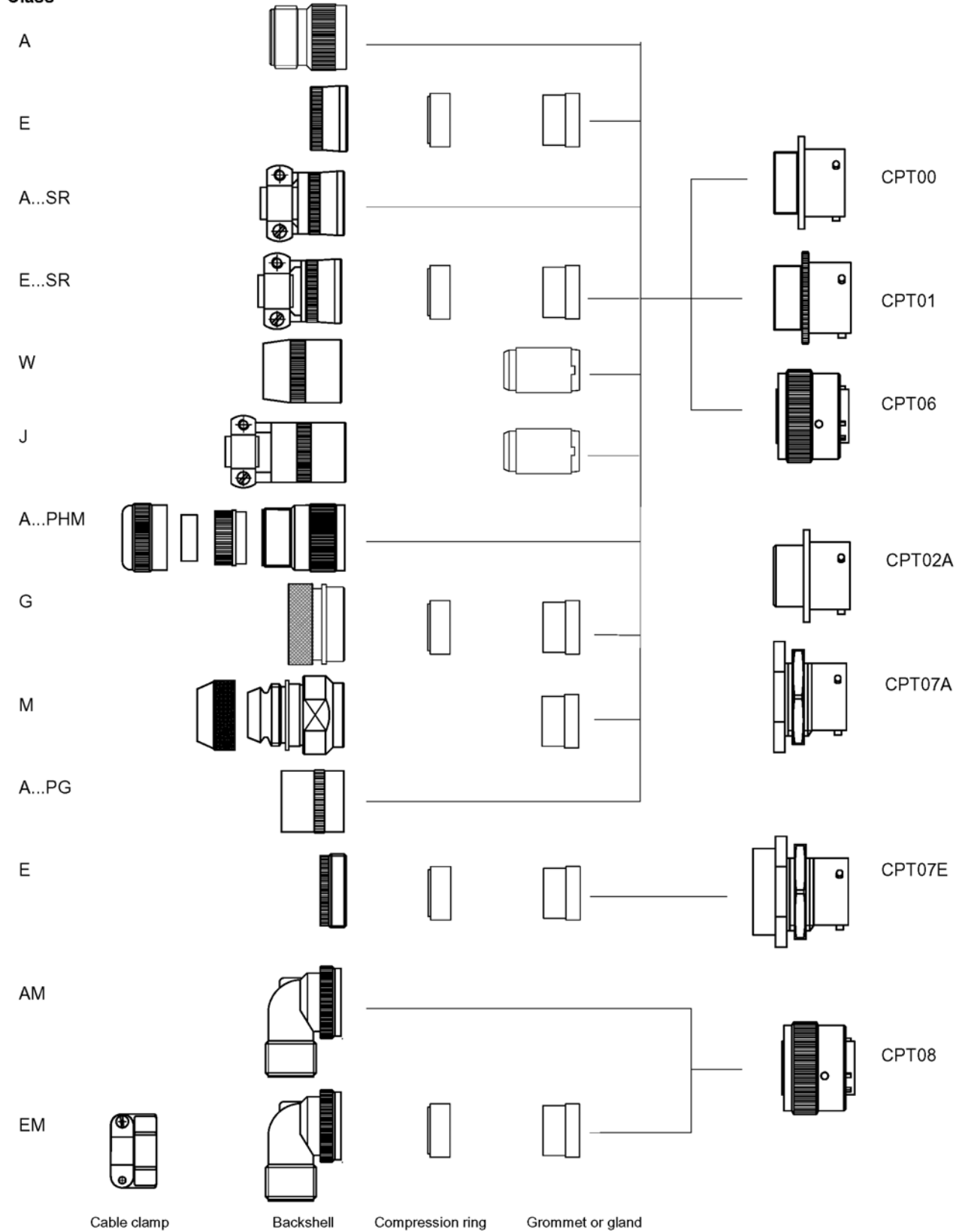
M : Plug with removable backshell for screened termination and heatshrink sleeving .

W : Long backshell to ease assembly.  
Incorporates metal sleeve and gland seal to provide excellent cable sealing and improved environmental protection.  
No cable clamp provided .



Styles and classes

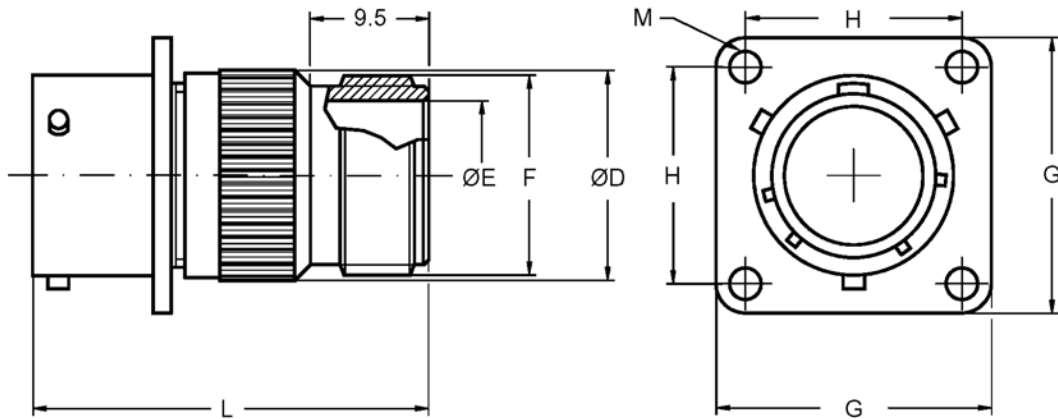
Class





Wall mounting receptacle

CPT00A



| Shell size | D<br>Max. | E<br>min. | F thread in inches | G<br>±0.4 | H<br>±0.1 | L<br>Max. | M<br>±0.12 |
|------------|-----------|-----------|--------------------|-----------|-----------|-----------|------------|
| 8          | 15.00     | 7.55      | .5000 - 28 UNEF    | 20.6      | 15.10     | 40.9      | 3.04       |
| 10         | 18.20     | 10.70     | .6250 - 24 UNEF    | 23.8      | 18.25     | 40.9      | 3.04       |
| 12         | 21.20     | 13.85     | .7500 - 20 UNEF    | 26.2      | 20.60     | 40.9      | 3.04       |
| 14         | 24.60     | 16.85     | .8750 - 20 UNEF    | 28.6      | 23.00     | 40.9      | 3.04       |
| 16         | 27.60     | 20.00     | 1.0000 - 20 UNEF   | 31.0      | 24.60     | 40.9      | 3.04       |
| 18         | 30.90     | 22.30     | 1.1875 - 18 UNEF   | 33.3      | 27.00     | 40.9      | 3.04       |
| 20         | 33.80     | 25.75     | 1.1875 - 18 UNEF   | 36.5      | 29.35     | 45.0      | 3.04       |
| 22         | 37.10     | 28.80     | 1.4375 - 18 UNEF   | 39.7      | 31.75     | 45.0      | 3.04       |
| 24         | 40.25     | 32.00     | 1.4375 - 18 UNEF   | 42.9      | 39.40     | 45.0      | 3.73       |

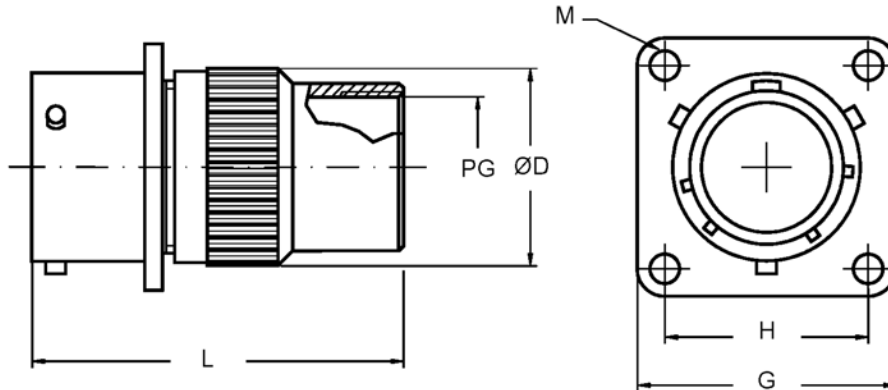
Wall mounting receptacle with  
general duty backshell for cable  
clamp CM3057-XX A/B/C.  
No grommet supplied.





Wall mounting receptacle

CPT00A...PG\_\_

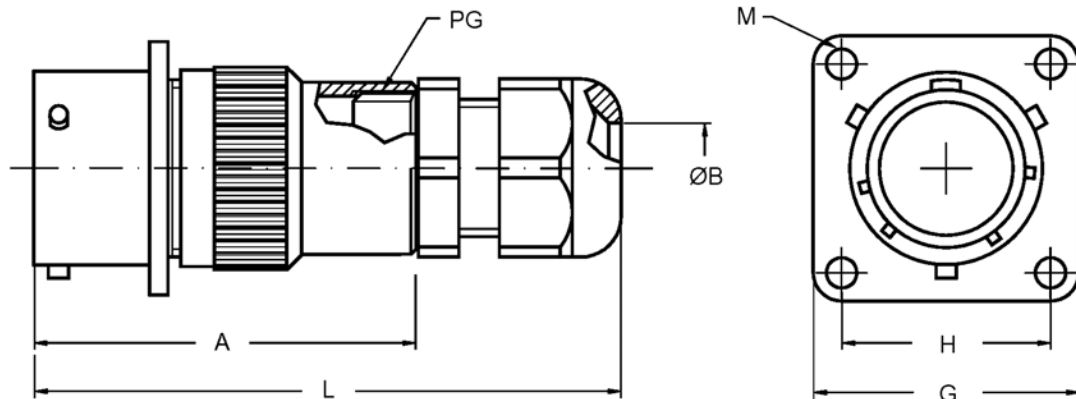


| Shell size | D<br>Max | L<br>Max | PG thread      | H<br>±0.1 | G<br>±0.4 | M<br>±0.12 |
|------------|----------|----------|----------------|-----------|-----------|------------|
| 8          | 18.0     | 40       | 7 / 9          | 15.10     | 20.6      | 3.04       |
| 10         | 18.0     | 40       | 9              | 18.25     | 23.8      | 3.04       |
| 12         | 23.5     | 40       | 11             | 20.60     | 26.2      | 3.04       |
| 14         | 24.5     | 45       | 11 / 13.5 / 16 | 23.00     | 28.6      | 3.04       |
| 16         | 28.0     | 45       | 11 / 13.5 / 16 | 24.60     | 31.0      | 3.04       |
| 18         | 30.5     | 45       | 13.5 / 16      | 27.00     | 33.3      | 3.04       |
| 20         | 33.5     | 52       | 13.5 / 16      | 29.35     | 36.5      | 3.04       |
| 22         | 37.0     | 60       | 13.5 / 16 / 21 | 31.75     | 39.7      | 3.04       |
| 24         | 40.0     | 60       | 13.5 / 16 / 21 | 39.40     | 42.9      | 3.73       |

Wall mounting receptacle with backshell  
for use with PG glands (not included).  
Other PG sizes and types available on  
request.  
No grommet supplied.

Wall mounting receptacle

CPT00A...PH\_\_

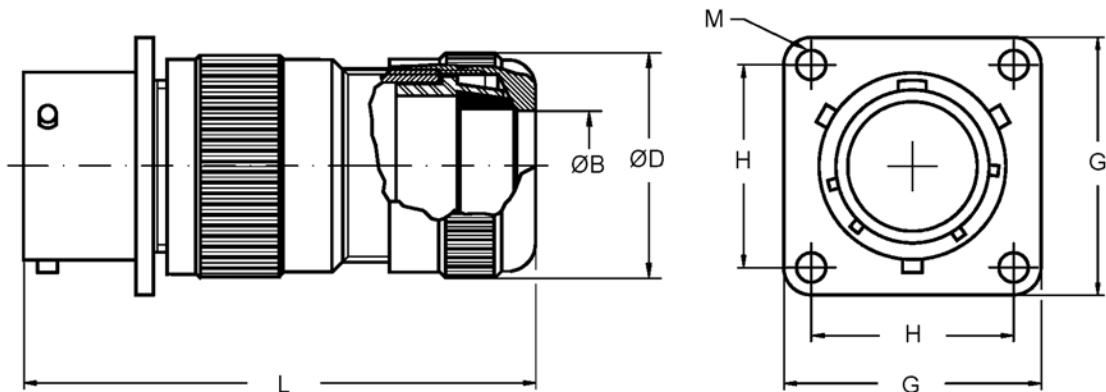


| Shell size | A<br>Max | B<br>min. ÷ max.    | PG thread      | L<br>Max. | H<br>±0.1 | G<br>±0.4 | M<br>±0.12 |
|------------|----------|---------------------|----------------|-----------|-----------|-----------|------------|
| 8          | 40       | 3+6.5 / 4+8         | 7 / 9          | 65        | 15.10     | 20.6      | 3.04       |
| 10         | 40       | 4+8                 | 9              | 65        | 18.25     | 23.8      | 3.04       |
| 12         | 40       | 5+10                | 11             | 65        | 20.60     | 26.2      | 3.04       |
| 14         | 45       | 5+10 / 6+12 / 9+14  | 11 / 13.5 / 16 | 75        | 23.00     | 28.6      | 3.04       |
| 16         | 45       | 5+10 / 6+12 / 9+14  | 11 / 13.5 / 16 | 75        | 24.60     | 31.0      | 3.04       |
| 18         | 45       | 6+12 / 9+14         | 13.5 / 16      | 75        | 27.00     | 33.3      | 3.04       |
| 20         | 52       | 6+12 / 9+14         | 13.5 / 16      | 82        | 29.35     | 36.5      | 3.04       |
| 22         | 60       | 6+12 / 9+14 / 13+18 | 13.5 / 16 / 21 | 95        | 31.75     | 39.7      | 3.04       |
| 24         | 60       | 6+12 / 9+14 / 13+18 | 13.5 / 16 / 21 | 95        | 39.40     | 42.9      | 3.73       |

Wall mounting receptacle with backshell and plastic PG cable gland . Other PG sizes and types available upon request. No grommet supplied.

Wall mounting receptacle

CPT00A...PHM\_\_

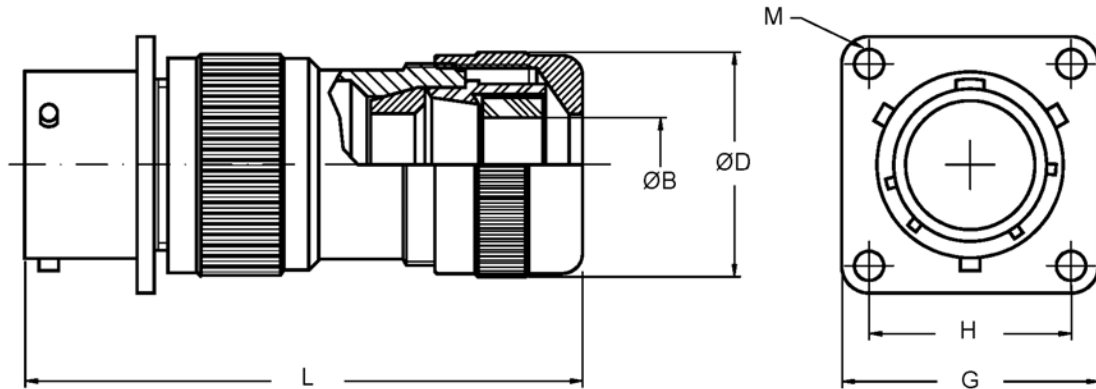


| Shell size | P.N. PHM     | B                      |  | D    | G    | H     | L    | M     |
|------------|--------------|------------------------|--|------|------|-------|------|-------|
|            |              | min. ÷ max.            |  | Max. | ±0.4 | ±0.1  | Max. | ±0.12 |
| 8          | 11           | 2+11                   |  | 15.0 | 20.6 | 15.10 | 47.0 | 3.04  |
| 10         | 11           | 2+11                   |  | 21.0 | 23.8 | 18.25 | 49.0 | 3.04  |
| 12         | 11           | 2+11                   |  | 24.0 | 26.2 | 20.60 | 58.0 | 3.04  |
| 14         | 11           | 2+11                   |  | 24.0 | 28.6 | 23.00 | 58.0 | 3.04  |
| 16         | 11           | 2+11                   |  | 24.0 | 31.0 | 24.60 | 58.0 | 3.04  |
| 18         | 11 / 18      | 2+11 / 9+16.5          |  | 42.0 | 33.3 | 27.00 | 75.0 | 3.04  |
| 20         | 18           | 9+16.5                 |  | 42.0 | 36.5 | 29.35 | 75.0 | 3.04  |
| 22         | 18           | 9+16.5                 |  | 42.0 | 39.7 | 31.75 | 75.0 | 3.04  |
| 24         | 18 / 22 / 24 | 9+16.5 / 15+20 / 19+24 |  | 42.0 | 42.9 | 39.40 | 75.0 | 3.73  |

Wall mounting receptacle with PHM cable clamp. Rubber sleeves included to allow use of different diameter cables. No grommet supplied.

Wall mounting receptacle

CPT00A...PHM\_\_EMI



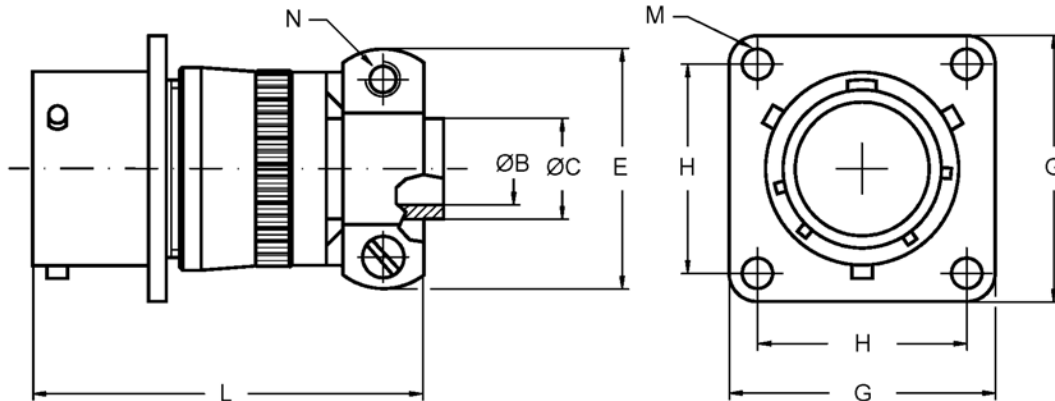
| Shell size | P.N. PHM     | B                      |      | D    | G     | H    | L     | M |
|------------|--------------|------------------------|------|------|-------|------|-------|---|
|            |              | min. ÷ max.            | Max. | ±0.4 | ±0.1  | Max. | ±0.12 |   |
| 8          | 11           | 2+11                   | 15.0 | 20.6 | 15.10 | 60   | 3.04  |   |
| 10         | 11           | 2+11                   | 21.0 | 23.8 | 18.25 | 60   | 3.04  |   |
| 12         | 11           | 2+11                   | 24.0 | 26.2 | 20.60 | 70   | 3.04  |   |
| 14         | 11           | 2+11                   | 24.0 | 28.6 | 23.00 | 70   | 3.04  |   |
| 16         | 11           | 2+11                   | 24.0 | 31.0 | 24.60 | 70   | 3.04  |   |
| 18         | 11 / 18      | 2+11 / 9+16.5          | 42.0 | 33.3 | 27.00 | 85   | 3.04  |   |
| 20         | 18           | 9+16.5                 | 42.0 | 36.5 | 29.35 | 85   | 3.04  |   |
| 22         | 18           | 9+16.5                 | 42.0 | 39.7 | 31.75 | 85   | 3.04  |   |
| 24         | 18 / 22 / 24 | 9+16.5 / 15+20 / 19+24 | 42.0 | 42.9 | 39.40 | 85   | 3.73  |   |

Wall mounting receptacle with PHM cable clamp. Rubber sleeves included to allow use of different diameter cables. No grommet supplied.



Wall mounting receptacle

CPT00A...SR



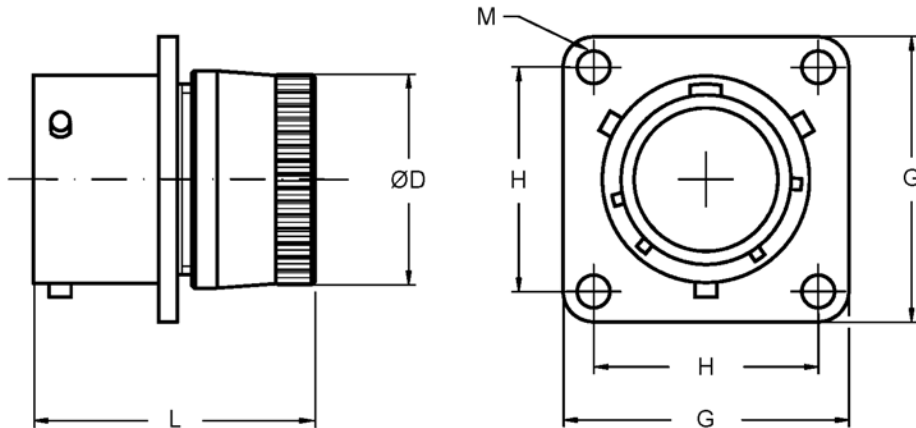
| Shell size | B<br>± 0.25 | C<br>min. | E<br>Max. | G<br>± 0.4 | H<br>± 0.1 | L<br>Max. | M<br>± 0.12 | N      |
|------------|-------------|-----------|-----------|------------|------------|-----------|-------------|--------|
| 8          | 3.2         | 6.10      | 20.60     | 20.6       | 15.10      | 45.1      | 3.04        | 6 - 32 |
| 10         | 4.8         | 7.70      | 22.20     | 23.8       | 18.25      | 45.1      | 3.04        | 6 - 32 |
| 12         | 7.9         | 10.90     | 25.40     | 26.2       | 20.60      | 45.1      | 3.04        | 6 - 32 |
| 14         | 9.5         | 14.00     | 28.60     | 28.6       | 23.00      | 45.1      | 3.04        | 6 - 32 |
| 16         | 12.7        | 15.60     | 30.20     | 31.0       | 24.60      | 48.4      | 3.04        | 6 - 32 |
| 18         | 15.9        | 18.80     | 36.50     | 33.3       | 27.00      | 48.4      | 3.04        | 8 - 32 |
| 20         | 15.9        | 18.80     | 36.50     | 36.5       | 29.35      | 54.8      | 3.04        | 8 - 32 |
| 22         | 19.0        | 23.60     | 43.65     | 39.7       | 31.75      | 54.8      | 3.04        | 8 - 32 |
| 24         | 20.3        | 25.15     | 43.65     | 42.9       | 39.40      | 56.4      | 3.73        | 8 - 32 |

Wall mounting receptacle.  
Includes backshell with sleeve and cable clamp.  
No grommet supplied.



Wall mounting receptacle

CPT00E

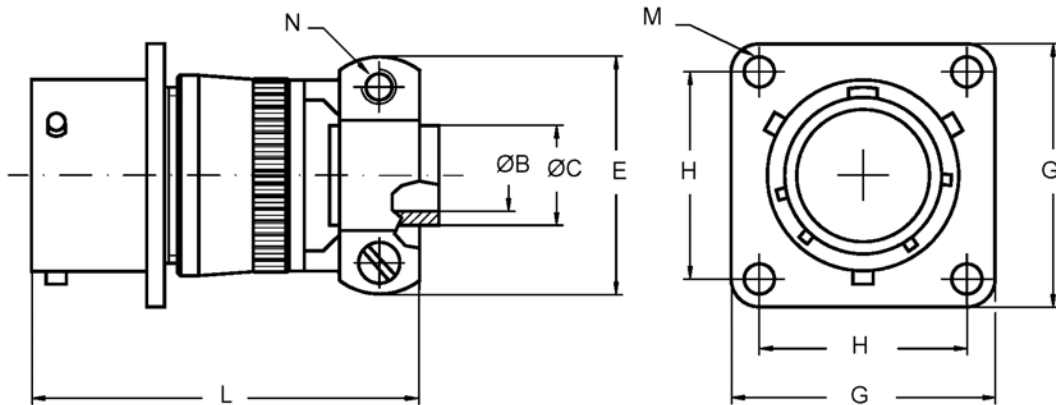


|            | D     | G     | H     | L     | M      |
|------------|-------|-------|-------|-------|--------|
| Shell size | Max.  | ± 0.4 | ± 0.1 | Max.  | ± 0.12 |
| 8          | 14.20 | 20.6  | 15.10 | 32.15 | 3.04   |
| 10         | 17.40 | 23.8  | 18.25 | 32.15 | 3.04   |
| 12         | 20.65 | 26.2  | 20.60 | 32.15 | 3.04   |
| 14         | 23.60 | 28.6  | 23.00 | 32.15 | 3.04   |
| 16         | 26.85 | 31.0  | 24.60 | 32.15 | 3.04   |
| 18         | 29.85 | 33.3  | 27.00 | 32.15 | 3.04   |
| 20         | 33.00 | 36.5  | 29.35 | 38.50 | 3.04   |
| 22         | 36.30 | 39.7  | 31.75 | 38.50 | 3.04   |
| 24         | 39.50 | 42.9  | 39.40 | 40.10 | 3.73   |

Wall mounting receptacle.  
Includes sealing grommet and backshell.  
For use with individual wires.

Wall mounting receptacle

CPT00E...SR



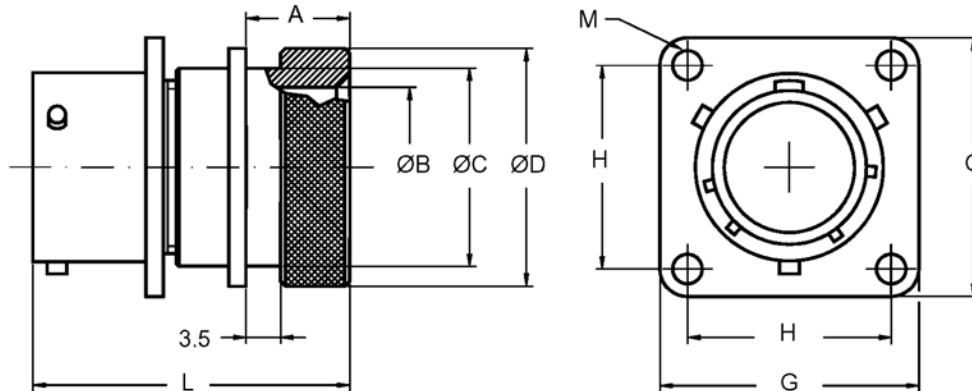
| Shell size | B<br>± 0.25 | C<br>min. | E<br>Max. | G<br>± 0.4 | H<br>± 0.1 | L<br>Max. | M<br>± 0.12 | N      |
|------------|-------------|-----------|-----------|------------|------------|-----------|-------------|--------|
| 8          | 3.2         | 6.10      | 20.60     | 20.6       | 15.10      | 45.1      | 3.04        | 6 - 32 |
| 10         | 4.8         | 7.70      | 22.20     | 23.8       | 18.25      | 45.1      | 3.04        | 6 - 32 |
| 12         | 7.9         | 10.90     | 25.40     | 26.2       | 20.60      | 45.1      | 3.04        | 6 - 32 |
| 14         | 9.5         | 14.00     | 28.60     | 28.6       | 23.00      | 45.1      | 3.04        | 6 - 32 |
| 16         | 12.7        | 15.60     | 30.20     | 31.0       | 24.60      | 48.4      | 3.04        | 6 - 32 |
| 18         | 15.9        | 18.80     | 36.50     | 33.3       | 27.00      | 48.4      | 3.04        | 8 - 32 |
| 20         | 15.9        | 18.80     | 36.50     | 36.5       | 29.35      | 54.8      | 3.04        | 8 - 32 |
| 22         | 19.0        | 23.60     | 43.65     | 39.7       | 31.75      | 54.8      | 3.04        | 8 - 32 |
| 24         | 20.3        | 25.15     | 43.65     | 42.9       | 39.40      | 56.4      | 3.73        | 8 - 32 |

Wall mounting receptacle with sealing grommet , cable clamp and rubber sleeve for cable protection.



Wall mounting receptacle

CPT00G



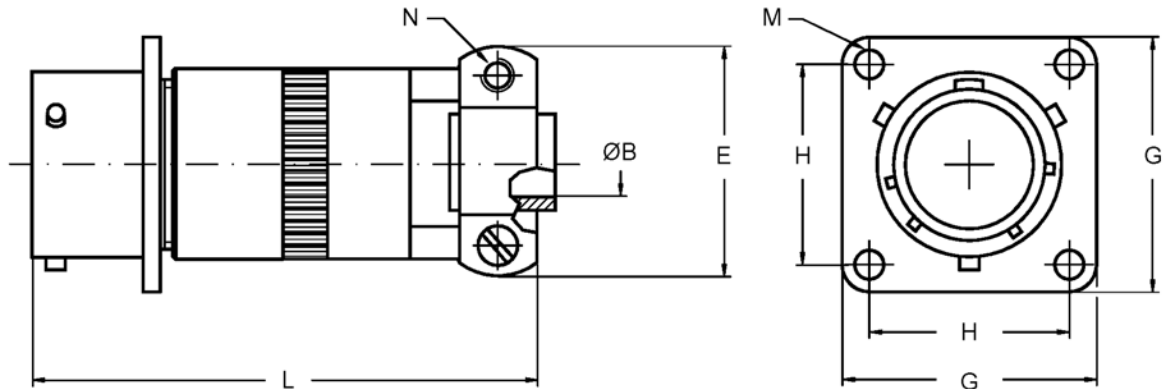
|            | A     | B<br>+ 0.1 | C<br>+ 0 | D<br>+ 0 | G     | H     | L    | M      |
|------------|-------|------------|----------|----------|-------|-------|------|--------|
| Shell size | ± 0.1 | -0         | -0.1     | -0.3     | ± 0.4 | ± 0.1 | Max. | ± 0.12 |
| 8          | 12.2  | 8.20       | 13.0     | 15.5     | 20.6  | 15.10 | 39   | 3.04   |
| 10         | 12.2  | 11.40      | 15.8     | 18.3     | 23.8  | 18.25 | 39   | 3.04   |
| 12         | 12.2  | 14.55      | 21.0     | 23.6     | 26.2  | 20.60 | 39   | 3.04   |
| 14         | 12.2  | 17.50      | 21.8     | 24.4     | 28.6  | 23.00 | 39   | 3.04   |
| 16         | 14.5  | 20.60      | 25.9     | 29.7     | 31.0  | 24.60 | 42   | 3.04   |
| 18         | 14.5  | 23.15      | 28.2     | 31.9     | 33.3  | 27.00 | 42   | 3.04   |
| 20         | 15.8  | 26.50      | 32.2     | 36.0     | 36.5  | 29.35 | 47   | 3.04   |
| 22         | 15.8  | 29.60      | 34.5     | 38.4     | 39.7  | 31.75 | 47   | 3.04   |
| 24         | 14.9  | 32.80      | 37.6     | 41.5     | 42.9  | 39.40 | 47   | 3.73   |

Wall mounting receptacle with sealing grommet and backshell for heat shrink sleeves .



Wall mounting receptacle

CPT00J

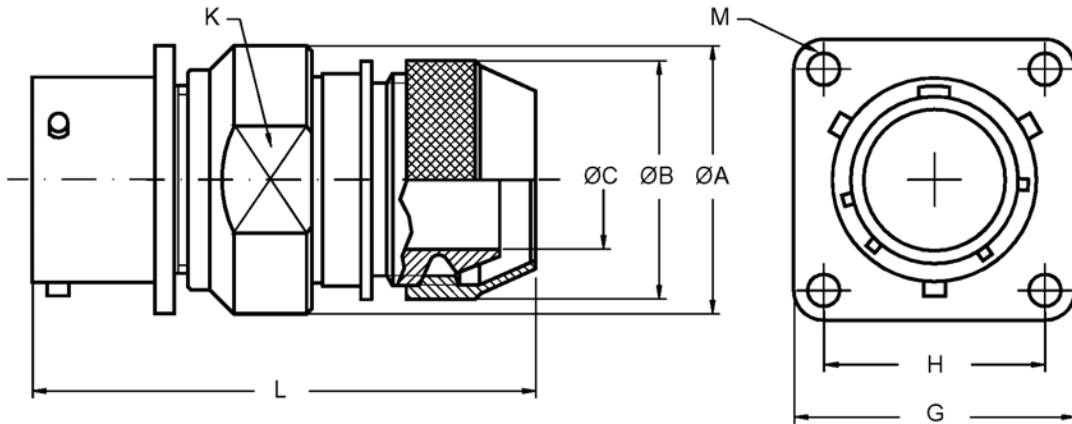


|            | B      | E     | G     | H     | L      | M      | N      |
|------------|--------|-------|-------|-------|--------|--------|--------|
| Shell size | ± 0.25 | Max.  | ± 0.4 | ± 0.1 | Max.   | ± 0.12 |        |
| 8          | 3.2    | 20.60 | 20.6  | 15.10 | 55.45  | 3.04   | 6 - 32 |
| 10         | 4.8    | 22.20 | 23.8  | 18.25 | 55.45  | 3.04   | 6 - 32 |
| 12         | 7.9    | 25.40 | 26.2  | 20.60 | 59.05  | 3.04   | 6 - 32 |
| 14         | 9.5    | 28.60 | 28.6  | 23.00 | 63.95  | 3.04   | 6 - 32 |
| 16         | 12.7   | 30.20 | 31.0  | 24.60 | 72.80  | 3.04   | 6 - 32 |
| 18         | 15.9   | 36.50 | 33.3  | 27.00 | 78.65  | 3.04   | 8 - 32 |
| 20         | 15.9   | 36.50 | 36.5  | 29.35 | 89.70  | 3.04   | 8 - 32 |
| 22         | 19.0   | 43.65 | 39.7  | 31.75 | 93.90  | 3.04   | 8 - 32 |
| 24         | 20.3   | 43.65 | 42.9  | 39.40 | 100.00 | 3.73   | 8 - 32 |

Wall mounting receptacle with backshell incorporating a metal sleeve , with gland seal and cable clamp.  
No grommet supplied

Wall mounting receptacle

CPT00M



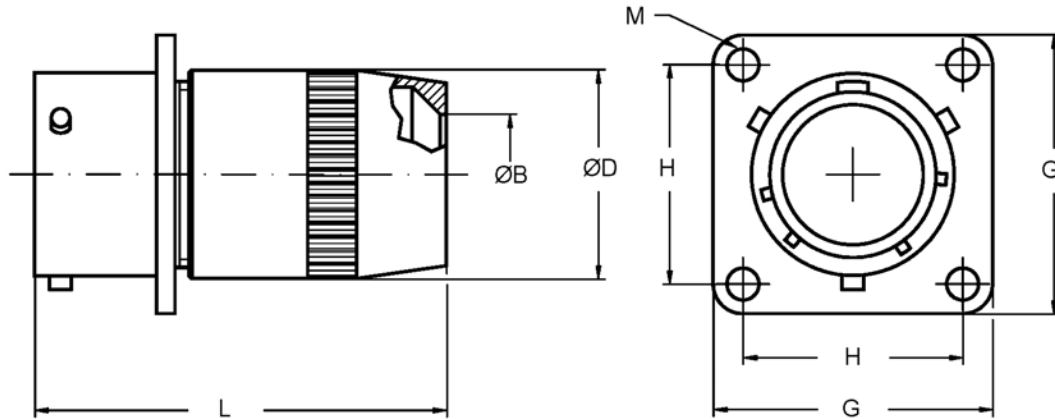
| Shell size | A<br>Max | B<br>Max | C<br>min | G<br>±0.4 | H<br>±0.1 | L<br>Max. | M<br>±0.12 | K key |
|------------|----------|----------|----------|-----------|-----------|-----------|------------|-------|
| 8          | 19.80    | 16.3     | 6.70     | 20.6      | 15.10     | 52.0      | 3.04       | 18    |
| 10         | 22.50    | 18.4     | 9.30     | 23.8      | 18.25     | 52.0      | 3.04       | 21    |
| 12         | 26.90    | 22.4     | 12.25    | 26.2      | 20.60     | 52.0      | 3.04       | 24    |
| 14         | 29.90    | 25.4     | 15.40    | 28.6      | 23.00     | 53.0      | 3.04       | 28    |
| 16         | 32.85    | 28.4     | 18.50    | 31.0      | 24.60     | 53.0      | 3.04       | 31    |
| 18         | 35.80    | 32.4     | 20.20    | 33.3      | 27.00     | 53.0      | 3.04       | 34    |
| 20         | 39.60    | 34.4     | 23.20    | 36.5      | 29.35     | 57.0      | 3.04       | 37    |
| 22         | 42.90    | 38.4     | 26.05    | 39.7      | 31.75     | 57.0      | 3.04       | 41    |
| 24         | 45.90    | 41.3     | 30.00    | 42.9      | 39.40     | 58.5      | 3.73       | 44    |

Wall mounting receptacle with backshell  
for terminating shielded cable.  
Suitable for heat shrink boots.



Wall mounting receptacle

CPT00W



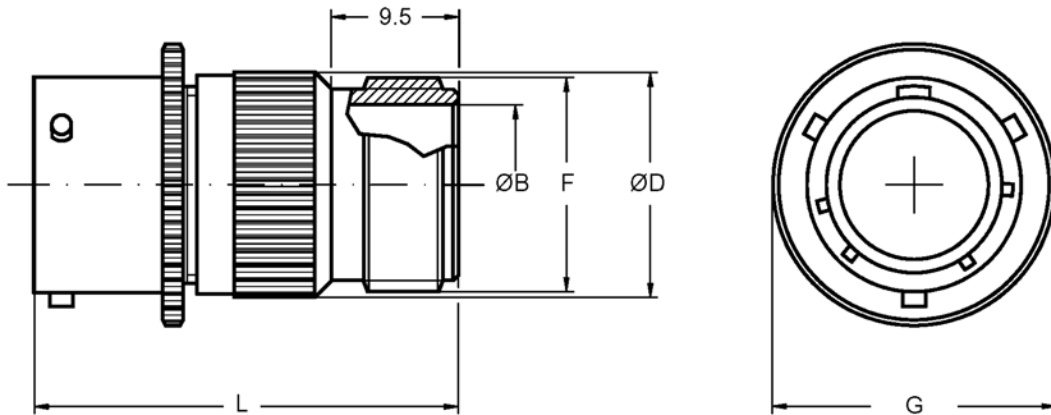
| Shell size | B     |       | D     | G     | H     | L     | M      |
|------------|-------|-------|-------|-------|-------|-------|--------|
|            | min.  | Max.  | Max.  | ± 0.4 | ± 0.1 | Max.  | ± 0.12 |
| 8          | 4.25  | 5.85  | 13.90 | 20.6  | 15.10 | 43.30 | 3.04   |
| 10         | 5.20  | 7.90  | 17.15 | 23.8  | 18.25 | 43.30 | 3.04   |
| 12         | 8.60  | 11.20 | 20.60 | 26.2  | 20.60 | 46.90 | 3.04   |
| 14         | 10.55 | 13.70 | 23.90 | 28.6  | 23.00 | 51.80 | 3.04   |
| 16         | 14.00 | 15.65 | 27.10 | 31.0  | 24.60 | 57.30 | 3.04   |
| 18         | 15.25 | 17.10 | 30.30 | 33.3  | 27.00 | 63.15 | 3.04   |
| 20         | 16.10 | 19.00 | 33.60 | 36.5  | 29.35 | 74.20 | 3.04   |
| 22         | 17.00 | 21.50 | 36.80 | 39.7  | 31.75 | 78.40 | 3.04   |
| 24         | 18.80 | 22.70 | 40.00 | 42.9  | 39.40 | 84.10 | 3.73   |

Wall mounting receptacle with backshell incorporating metal sleeve and gland seal. No grommet supplied.



**In - line receptacle**

**CPT01A**



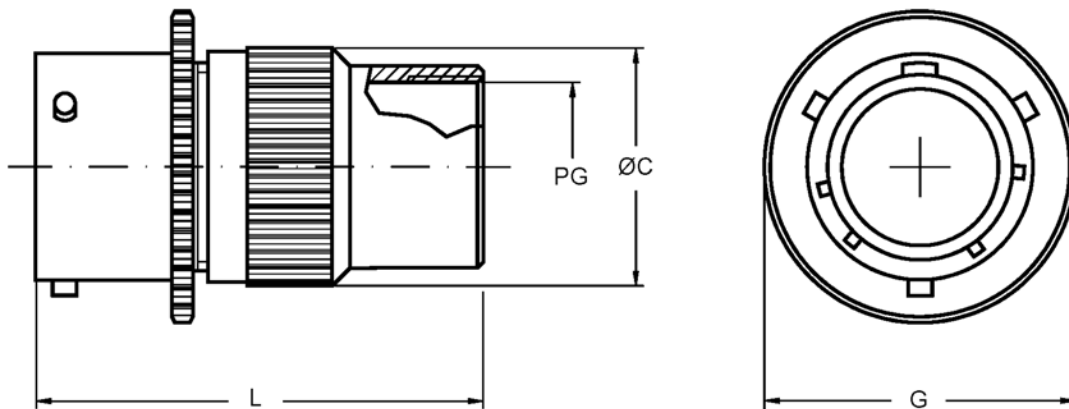
| Shell size | B     |       | D                | F    | G    | L |
|------------|-------|-------|------------------|------|------|---|
|            | min.  | Max.  | Thread in inches | ±0.1 | Max. |   |
| 8          | 7.55  | 15.00 | .5000 - 28 UNEF  | 17.3 | 40.9 |   |
| 10         | 10.70 | 18.20 | .6250 - 24 UNEF  | 21.8 | 40.9 |   |
| 12         | 13.85 | 21.20 | .7500 - 20 UNEF  | 25.1 | 40.9 |   |
| 14         | 16.85 | 24.60 | .8750 - 20 UNEF  | 28.6 | 40.9 |   |
| 16         | 20.00 | 27.60 | 1.0000 - 20 UNEF | 30.6 | 40.9 |   |
| 18         | 22.30 | 30.90 | 1.1875 - 18 UNEF | 33.2 | 40.9 |   |
| 20         | 25.75 | 33.80 | 1.1875 - 18 UNEF | 36.5 | 45.0 |   |
| 22         | 28.80 | 37.10 | 1.4375 - 18 UNEF | 39.6 | 45.0 |   |
| 24         | 32.00 | 40.25 | 1.4375 - 18 UNEF | 43.1 | 46.0 |   |

In line receptacle with general duty backshell for cable CM3057-XX A/B/C.  
No grommet supplied.



**In - line receptacle**

**CPT01A...PG\_\_**



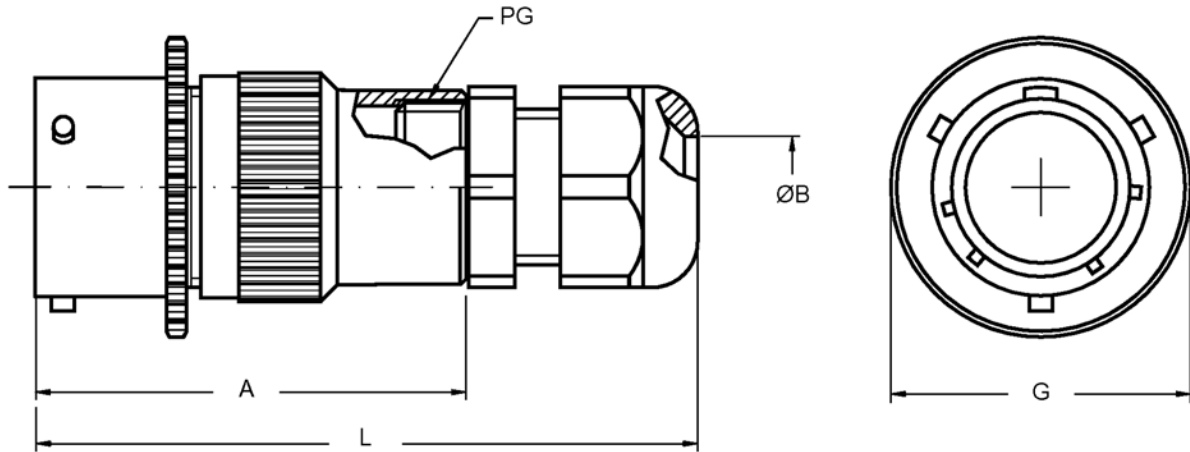
| Shell size | C<br>Max | L<br>Max | PG thread      | G<br>±0.1 |
|------------|----------|----------|----------------|-----------|
| 8          | 18.0     | 40       | 7 / 9          | 17.3      |
| 10         | 18.0     | 40       | 9              | 21.8      |
| 12         | 23.5     | 40       | 11             | 25.1      |
| 14         | 24.5     | 45       | 11 / 13.5 / 16 | 28.6      |
| 16         | 28.0     | 45       | 11 / 13.5 / 16 | 30.6      |
| 18         | 30.5     | 45       | 13.5 / 16      | 33.2      |
| 20         | 33.5     | 52       | 13.5 / 16      | 36.5      |
| 22         | 37.0     | 60       | 13.5 / 16 / 21 | 39.6      |
| 24         | 40.0     | 60       | 13.5 / 16 / 21 | 43.1      |

In line receptacle with backshell for use with PG glands (not included). Other PG sizes and types available on request.  
No grommet supplied.



**In - line receptacle**

**CPT01A...PH\_\_**



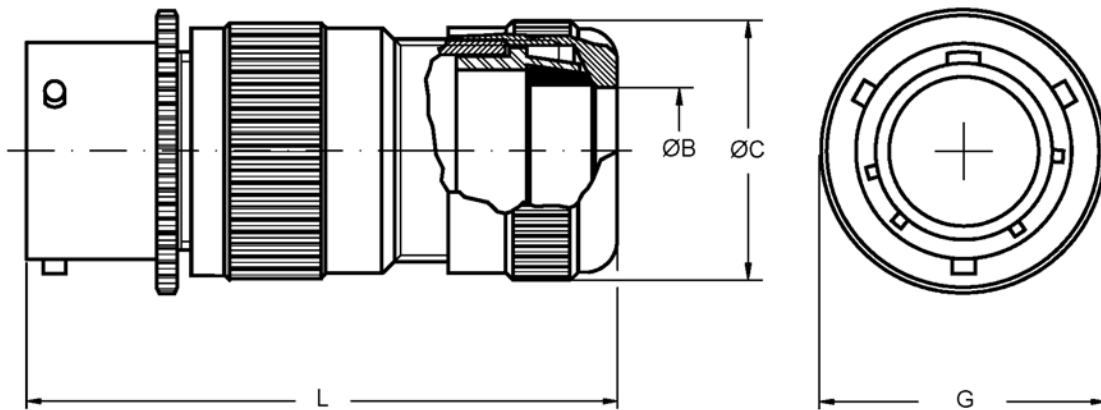
| Shell size | A<br>Max | B<br>min. ÷ max.    | PG thread      | L<br>Max. | G<br>±0.1 |
|------------|----------|---------------------|----------------|-----------|-----------|
| 8          | 40       | 3+6.5 / 4+8         | 7 / 9          | 65        | 17.3      |
| 10         | 40       | 4+8                 | 9              | 65        | 21.8      |
| 12         | 40       | 5+10                | 11             | 65        | 25.1      |
| 14         | 45       | 5+10 / 6+12 / 9+14  | 11 / 13.5 / 16 | 75        | 28.6      |
| 16         | 45       | 5+10 / 6+12 / 9+14  | 11 / 13.5 / 16 | 75        | 30.6      |
| 18         | 45       | 6+12 / 9+14         | 13.5 / 16      | 75        | 33.2      |
| 20         | 52       | 6+12 / 9+14         | 13.5 / 16      | 82        | 36.5      |
| 22         | 60       | 6+12 / 9+14 / 13+18 | 13.5 / 16 / 21 | 95        | 39.6      |
| 24         | 60       | 6+12 / 9+14 / 13+18 | 13.5 / 16 / 21 | 95        | 43.1      |

In line receptacle with backshell and plastic PG cable gland . Other PG sizes and types available upon request.  
No grommet supplied.



**In - line receptacle**

**CPT01A...PHM\_\_**

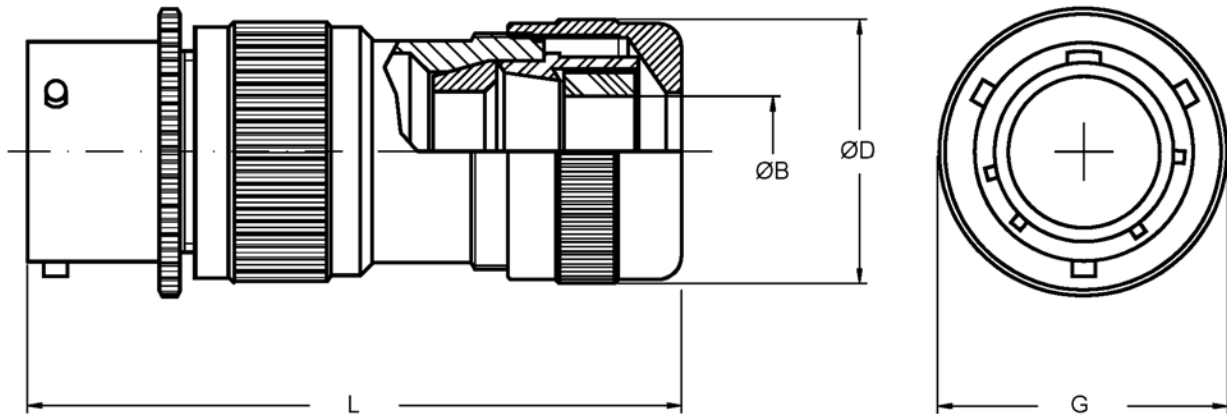


| Shell size | P.N. PHM     | B<br>min. ÷ Max.       | C<br>Max. | G<br>±0.1 | L<br>Max. |
|------------|--------------|------------------------|-----------|-----------|-----------|
| 8          | 11           | 2+11                   | 15        | 17.3      | 47        |
| 10         | 11           | 2+11                   | 21        | 21.8      | 49        |
| 12         | 11           | 2+11                   | 24        | 25.1      | 58        |
| 14         | 11           | 2+11                   | 24        | 28.6      | 58        |
| 16         | 11           | 2+11                   | 24        | 30.6      | 58        |
| 18         | 11 / 18      | 2+11 / 9+16.5          | 42        | 33.2      | 75        |
| 20         | 18           | 9+16.5                 | 42        | 36.5      | 75        |
| 22         | 18           | 9+16.5                 | 42        | 39.6      | 75        |
| 24         | 18 / 22 / 24 | 9+16.5 / 15+20 / 19+24 | 42        | 43.1      | 75        |

In line receptacle with PHM cable clamp.  
 Rubber sleeves included to allow use of  
 different diameter cables.  
 No grommet supplied.



**In - line receptacle**  
**CPT01A...PHM\_\_EMI**



| Shell size | P.N. PHM     | B<br>min. ÷ max.       | D<br>Max. | G<br>±0.1 | L<br>Max. |
|------------|--------------|------------------------|-----------|-----------|-----------|
| 8          | 11           | 2+11                   | 15.0      | 17.3      | 60        |
| 10         | 11           | 2+11                   | 21.0      | 21.8      | 60        |
| 12         | 11           | 2+11                   | 24.0      | 25.1      | 70        |
| 14         | 11           | 2+11                   | 24.0      | 28.6      | 70        |
| 16         | 11           | 2+11                   | 24.0      | 30.6      | 70        |
| 18         | 11 / 18      | 2+11 / 9+16.5          | 42.0      | 33.2      | 85        |
| 20         | 18           | 9+16.5                 | 42.0      | 36.5      | 85        |
| 22         | 18           | 9+16.5                 | 42.0      | 39.6      | 85        |
| 24         | 18 / 22 / 24 | 9+16.5 / 15+20 / 19+24 | 42.0      | 43.1      | 85        |

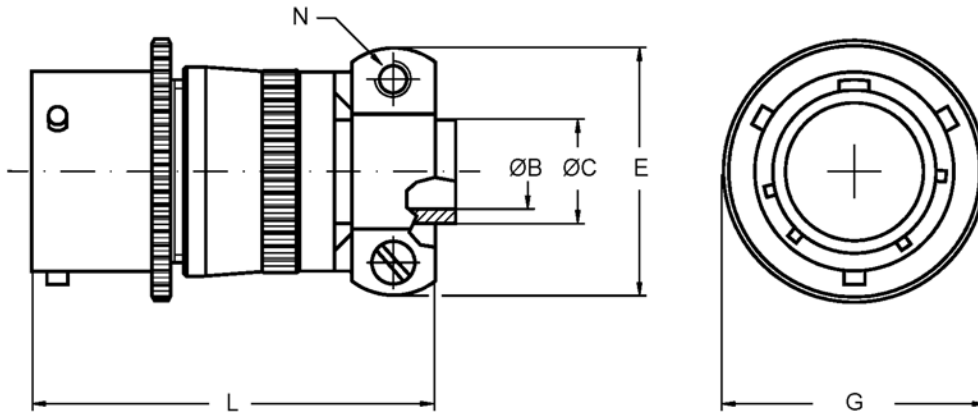
In line receptacle with PHM cable clamp.  
Rubber sleeves included to allow use of  
different diameter cables.  
No grommet supplied.





**In - line receptacle**

**CPT01A...SR**



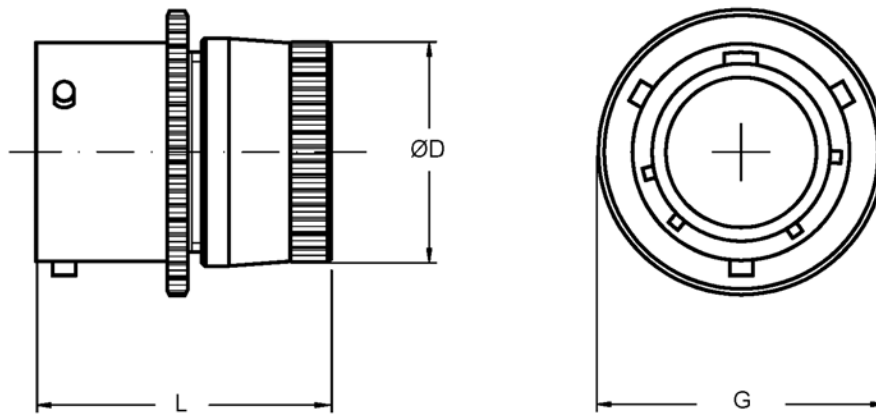
| Shell size | B<br>±0.25 | C<br>min. | E<br>Max. | G<br>±0.1 | L<br>Max. | N      |
|------------|------------|-----------|-----------|-----------|-----------|--------|
| 8          | 3.2        | 6.10      | 20.60     | 17.3      | 45.1      | 6 - 32 |
| 10         | 4.8        | 7.70      | 22.20     | 21.8      | 45.1      | 6 - 32 |
| 12         | 7.9        | 10.90     | 25.40     | 25.1      | 45.1      | 6 - 32 |
| 14         | 9.5        | 14.00     | 28.60     | 28.6      | 45.1      | 6 - 32 |
| 16         | 12.7       | 15.60     | 30.20     | 30.6      | 48.4      | 6 - 32 |
| 18         | 15.9       | 18.80     | 36.50     | 33.2      | 48.4      | 8 - 32 |
| 20         | 15.9       | 18.80     | 36.50     | 36.5      | 54.8      | 8 - 32 |
| 22         | 19.0       | 23.60     | 43.65     | 39.6      | 54.8      | 8 - 32 |
| 24         | 20.3       | 25.15     | 43.65     | 43.1      | 56.4      | 8 - 32 |

In line receptacle with cable clamp and rubber sleeve. No grommet supplied.



**In - line receptacle**

**CPT01E**



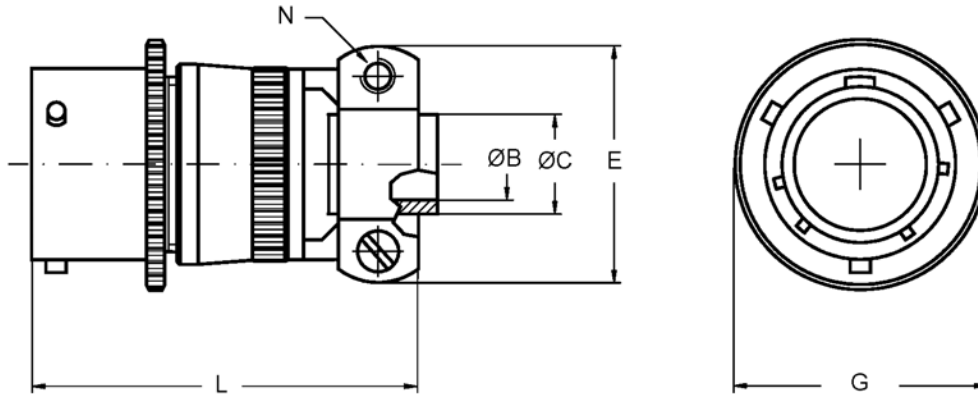
|                   | <b>D</b>    | <b>G</b>    | <b>L</b>    |
|-------------------|-------------|-------------|-------------|
| <b>Shell size</b> | <b>Max.</b> | <b>±0.1</b> | <b>Max.</b> |
| <b>8</b>          | 14.20       | 17.3        | 32.15       |
| <b>10</b>         | 17.40       | 21.8        | 32.15       |
| <b>12</b>         | 20.65       | 25.1        | 32.15       |
| <b>14</b>         | 23.60       | 28.6        | 32.15       |
| <b>16</b>         | 26.85       | 30.6        | 32.15       |
| <b>18</b>         | 29.85       | 33.2        | 32.15       |
| <b>20</b>         | 33.00       | 36.5        | 38.50       |
| <b>22</b>         | 36.30       | 39.6        | 38.50       |
| <b>24</b>         | 39.50       | 43.1        | 40.10       |

In line receptacle with grommet and grommet nut.



In - line receptacle

CPT01E...SR



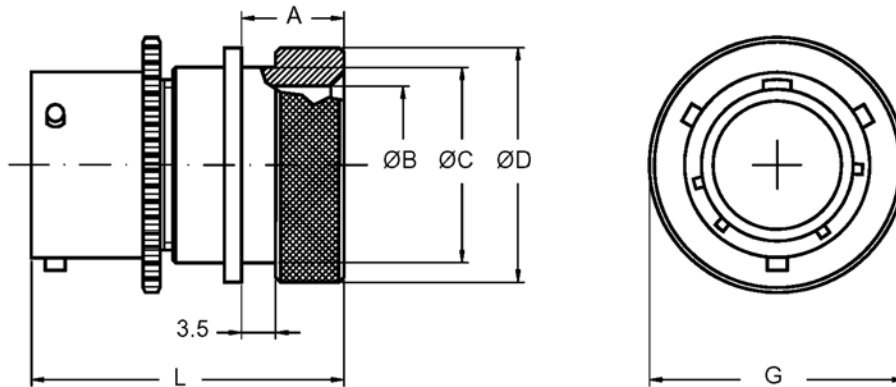
| Shell size | B<br>±0.25 | C<br>min. | E<br>Max. | G<br>±0.1 | L<br>Max. | N      |
|------------|------------|-----------|-----------|-----------|-----------|--------|
| 8          | 3.2        | 6.10      | 20.60     | 17.3      | 45.1      | 6 - 32 |
| 10         | 4.8        | 7.70      | 22.20     | 21.8      | 45.1      | 6 - 32 |
| 12         | 7.9        | 10.90     | 25.40     | 25.1      | 45.1      | 6 - 32 |
| 14         | 9.5        | 14.00     | 28.60     | 28.6      | 45.1      | 6 - 32 |
| 16         | 12.7       | 15.60     | 30.20     | 30.6      | 48.4      | 6 - 32 |
| 18         | 15.9       | 18.80     | 36.50     | 33.2      | 48.4      | 8 - 32 |
| 20         | 15.9       | 18.80     | 36.50     | 36.5      | 54.8      | 8 - 32 |
| 22         | 19.0       | 23.60     | 43.65     | 39.6      | 54.8      | 8 - 32 |
| 24         | 20.3       | 25.15     | 43.65     | 43.1      | 56.4      | 8 - 32 |

In line receptacle with sealing grommet ,  
cable clamp and rubber sleeve for cable  
protection.



**In - line receptacle**

**CPT01G**



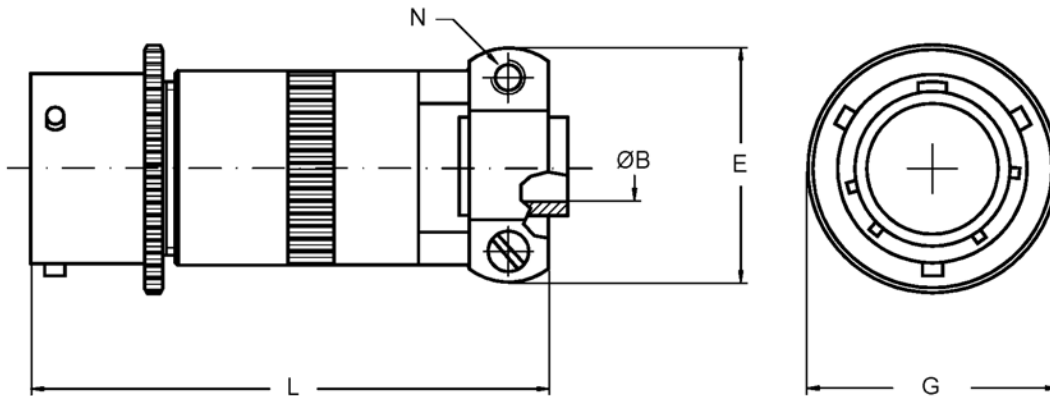
| Size | A<br>±0.1 | ØB<br>+0.1<br>-0 | ØC<br>+0<br>-0.1 | ØD<br>+0<br>-0.3 | L<br>Max. | ØG<br>±0.1 |
|------|-----------|------------------|------------------|------------------|-----------|------------|
| 8    | 12.2      | 8.20             | 13.0             | 15.5             | 39        | 17.3       |
| 10   | 12.2      | 11.40            | 15.8             | 18.3             | 39        | 21.8       |
| 12   | 12.2      | 14.55            | 21.0             | 23.6             | 39        | 25.1       |
| 14   | 12.2      | 17.50            | 21.8             | 24.4             | 39        | 28.6       |
| 16   | 14.5      | 20.60            | 25.9             | 29.7             | 42        | 30.6       |
| 18   | 14.5      | 23.15            | 28.2             | 31.9             | 42        | 33.2       |
| 20   | 15.8      | 26.50            | 32.2             | 36.0             | 47        | 36.5       |
| 22   | 15.8      | 29.60            | 34.5             | 38.4             | 47        | 39.6       |
| 24   | 14.9      | 32.80            | 37.6             | 41.5             | 47        | 43.1       |

In line receptacle with sealing grommet and backshell for heat shrink sleeves .



**In - line receptacle**

**CPT01J**



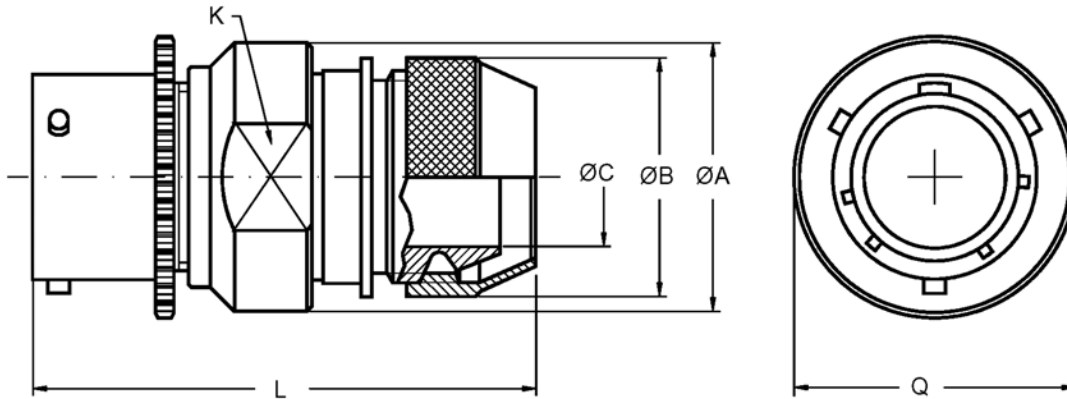
| Shell size | B<br>±0.25 | E<br>Max. | G<br>±0.1 | L<br>Max. | N      |
|------------|------------|-----------|-----------|-----------|--------|
| 8          | 3.2        | 20.60     | 17.3      | 55.45     | 6 - 32 |
| 10         | 4.8        | 22.20     | 21.8      | 55.45     | 6 - 32 |
| 12         | 7.9        | 25.40     | 25.1      | 59.05     | 6 - 32 |
| 14         | 9.5        | 28.60     | 28.6      | 63.95     | 6 - 32 |
| 16         | 12.7       | 30.20     | 30.6      | 72.80     | 6 - 32 |
| 18         | 15.9       | 36.50     | 33.2      | 78.65     | 8 - 32 |
| 20         | 15.9       | 36.50     | 36.5      | 89.70     | 8 - 32 |
| 22         | 19.0       | 43.65     | 39.6      | 93.90     | 8 - 32 |
| 24         | 20.3       | 43.65     | 43.1      | 100.00    | 8 - 32 |

In line receptacle with backshell incorporating a metal sleeve with gland seal and cable clamp. No grommet supplied.



**In - line receptacle**

**CPT01M**



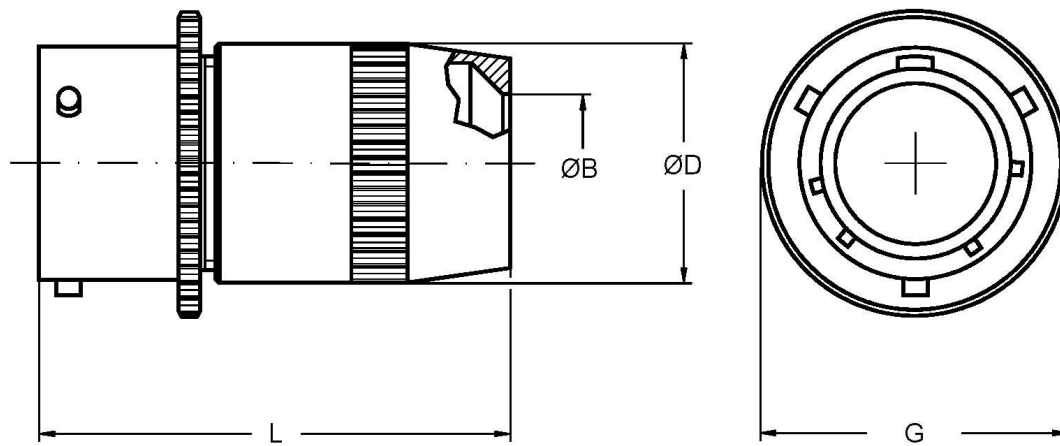
| Shell size | A<br>Max. | B<br>Max. | C<br>min. | K key | L<br>Max | G<br>±0.1 |
|------------|-----------|-----------|-----------|-------|----------|-----------|
| 8          | 19.80     | 16.3      | 6.70      | 18    | 52.0     | 17.3      |
| 10         | 22.50     | 18.4      | 9.30      | 21    | 52.0     | 21.8      |
| 12         | 26.90     | 22.4      | 12.25     | 24    | 52.0     | 25.1      |
| 14         | 29.90     | 25.4      | 15.40     | 28    | 53.0     | 28.6      |
| 16         | 32.85     | 28.4      | 18.50     | 31    | 53.0     | 30.6      |
| 18         | 35.80     | 32.4      | 20.20     | 34    | 53.0     | 33.0      |
| 20         | 39.60     | 34.4      | 23.20     | 37    | 57.0     | 36.5      |
| 22         | 42.90     | 38.4      | 26.05     | 41    | 57.0     | 39.6      |
| 24         | 45.90     | 41.3      | 30.00     | 44    | 58.5     | 43.1      |

In line receptacle with backshell for terminating shielded cable.  
Suitable for heat shrink boots.



**In - line receptacle**

**CPT01W**



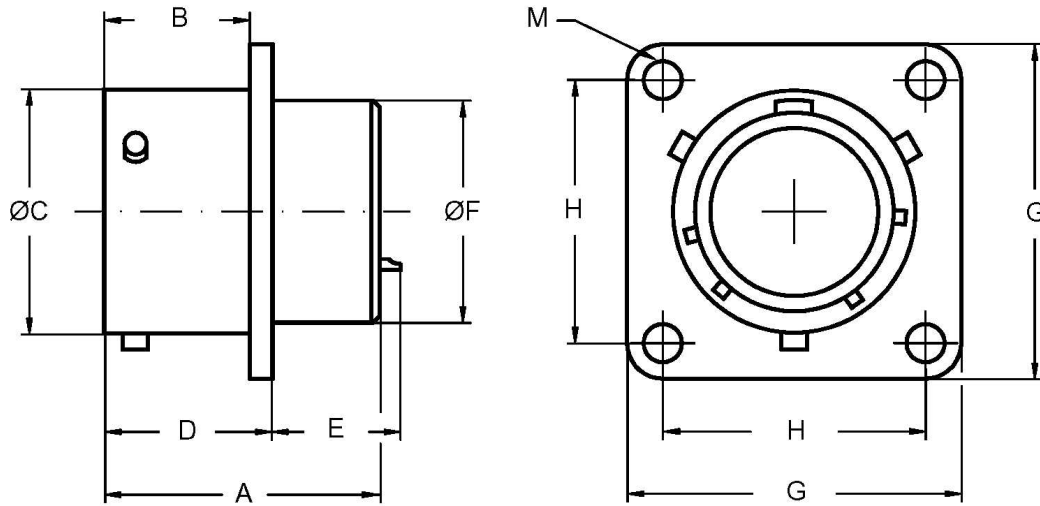
| Shell size | B     |       | D     | G    | L     |
|------------|-------|-------|-------|------|-------|
|            | min.  | Max.  | Max.  | ±0.1 | Max.  |
| 8          | 4.25  | 5.85  | 13.90 | 17.3 | 43.30 |
| 10         | 5.20  | 7.90  | 17.15 | 21.8 | 43.30 |
| 12         | 8.60  | 11.20 | 20.60 | 25.1 | 46.90 |
| 14         | 10.55 | 13.70 | 23.90 | 28.6 | 51.80 |
| 16         | 14.00 | 15.65 | 27.10 | 30.6 | 57.30 |
| 18         | 15.25 | 17.10 | 30.30 | 33.2 | 63.15 |
| 20         | 16.10 | 19.00 | 33.60 | 36.5 | 74.20 |
| 22         | 17.00 | 21.50 | 36.80 | 39.6 | 78.40 |
| 24         | 18.80 | 22.70 | 40.00 | 43.1 | 84.10 |

In line receptacle with backshell incorporating a metal sleeve and gland seal. No grommet supplied.



**Box mounting receptacle**

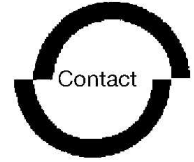
**CPT02A  
CPT02E**



| Shell size | A<br>Max. | B<br>+ 0.25<br>-0 | C<br>+ 0.02<br>-0.12 | D<br>+ 0.6<br>-0.25 | E<br>Max. | F<br>Max. | G<br>± 0.4 | H<br>± 0.1 | M<br>± 0.12 |
|------------|-----------|-------------------|----------------------|---------------------|-----------|-----------|------------|------------|-------------|
| 8          | 21.0      | 10.95             | 12.01                | 12.5                | 11.8      | 11.40     | 20.6       | 15.10      | 3.04        |
| 10         | 21.0      | 10.95             | 14.98                | 12.5                | 11.8      | 14.55     | 23.8       | 18.25      | 3.04        |
| 12         | 21.0      | 10.95             | 19.05                | 12.5                | 11.8      | 17.75     | 26.2       | 20.60      | 3.04        |
| 14         | 21.0      | 10.95             | 22.22                | 12.5                | 11.8      | 20.90     | 28.6       | 23.00      | 3.04        |
| 16         | 21.0      | 10.95             | 25.40                | 12.5                | 11.8      | 24.10     | 31.0       | 24.60      | 3.04        |
| 18         | 21.0      | 10.95             | 28.57                | 12.5                | 11.8      | 27.25     | 33.3       | 27.00      | 3.04        |
| 20         | 27.4      | 14.10             | 31.75                | 16.5                | 13.4      | 30.45     | 36.5       | 29.35      | 3.04        |
| 22         | 27.4      | 14.10             | 34.92                | 16.5                | 13.4      | 33.60     | 39.7       | 31.75      | 3.04        |
| 24         | 28.2      | 15.00             | 38.10                | 17.3                | 12.5      | 36.80     | 42.9       | 34.90      | 3.73        |

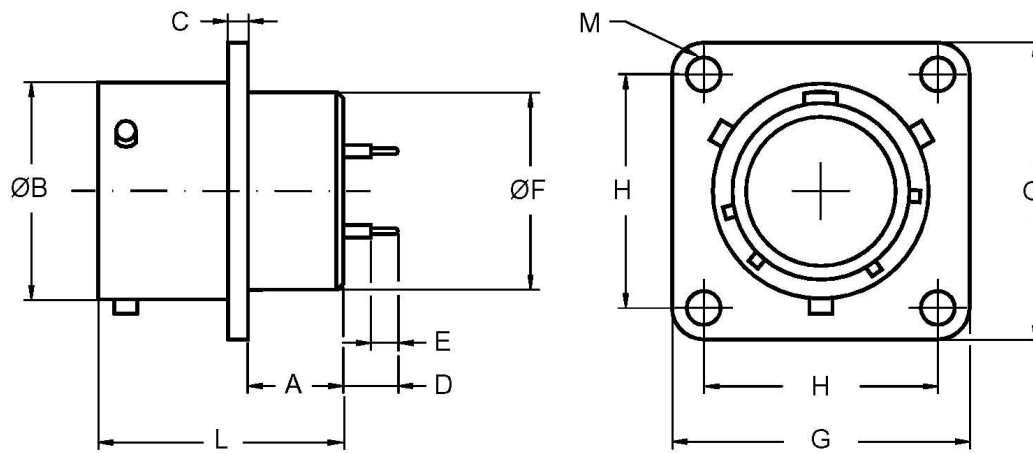
Box mounting receptacle.  
No rear accessory threads.





Box mounting receptacle

CPT02Y

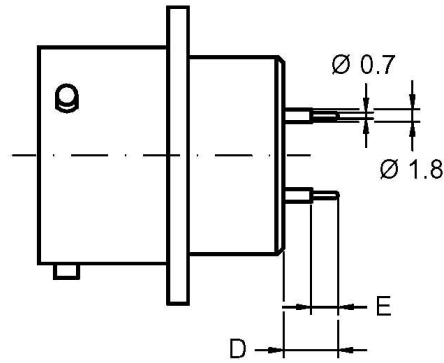


| Shell size | A<br>+0<br>-0.2 | B<br>+0.02<br>-0.12 | C<br>±0.1 | D                              | E                              | F<br>Max. | G<br>±0.4 | H<br>±0.1 | L<br>Max. | M<br>±0.12 |
|------------|-----------------|---------------------|-----------|--------------------------------|--------------------------------|-----------|-----------|-----------|-----------|------------|
| 8          | 6.2             | 12.01               | 1.6       | See the table on the next page | See the table on the next page | 11.40     | 20.6      | 15.10     | 19.5      | 3.04       |
| 10         | 6.2             | 14.98               | 1.6       |                                |                                | 14.55     | 23.8      | 18.25     | 19.5      | 3.04       |
| 12         | 6.2             | 19.05               | 1.6       |                                |                                | 17.75     | 26.2      | 20.60     | 19.5      | 3.04       |
| 14         | 6.2             | 22.22               | 1.6       |                                |                                | 20.90     | 28.6      | 23.00     | 19.5      | 3.04       |
| 16         | 6.2             | 25.40               | 1.6       |                                |                                | 24.10     | 31.0      | 24.60     | 19.5      | 3.04       |
| 18         | 6.2             | 28.57               | 1.6       |                                |                                | 27.25     | 33.3      | 27.00     | 19.5      | 3.04       |
| 20         | 7.5             | 31.75               | 2.4       |                                |                                | 30.45     | 36.5      | 29.35     | 24.5      | 3.04       |
| 22         | 7.5             | 34.92               | 2.4       |                                |                                | 33.60     | 39.7      | 31.75     | 24.5      | 3.04       |
| 24         | 7.5             | 38.10               | 2.4       |                                |                                | 36.80     | 42.9      | 34.90     | 25.5      | 3.73       |

Box mounting receptacle.  
No rear accessory threads.  
Flexible printed wiring terminations.

Box mounting receptacle

CPT02Y



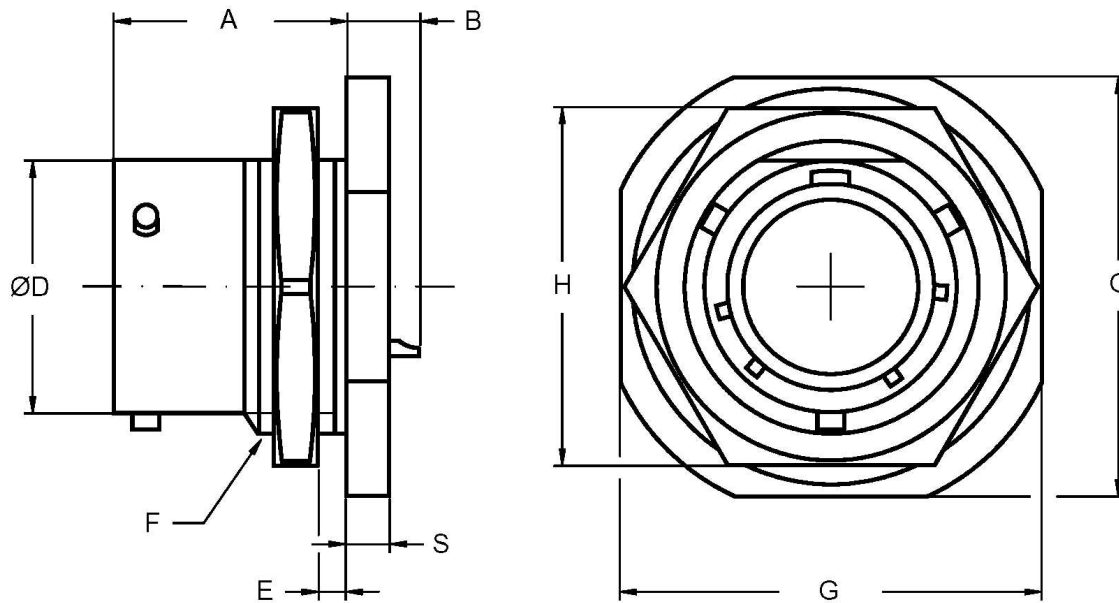
| Shell size | Y         |           | Y1        |           | Y2        |           | YS        |           | YL        |           | YM        |           |
|------------|-----------|-----------|-----------|-----------|-----------|-----------|-----------|-----------|-----------|-----------|-----------|-----------|
|            | D<br>±0.2 | E<br>±0.1 | D<br>±0.2 | E<br>±0.1 | D<br>±0.2 | E<br>±0.1 | D<br>±0.2 | E<br>±0.1 | D<br>±0.2 | E<br>±0.1 | D<br>±0.2 | E<br>±0.1 |
| 8          | 8.6       | 3.6       | 7.4       | 3.2       | 7.8       | 4.8       | 6.4       | 3.2       | 10.9      | 6.0       | 12.4      | 7.2       |
| 10         | 8.6       | 3.6       | 7.4       | 3.2       | 7.8       | 4.8       | 6.4       | 3.2       | 10.9      | 6.0       | 12.4      | 7.2       |
| 12         | 8.6       | 3.6       | 7.4       | 3.2       | 7.8       | 4.8       | 6.4       | 3.2       | 10.9      | 6.0       | 12.4      | 7.2       |
| 14         | 8.6       | 3.6       | 7.4       | 3.2       | 7.8       | 4.8       | 6.4       | 3.2       | 10.9      | 6.0       | 12.4      | 7.2       |
| 16         | 8.6       | 3.6       | 7.4       | 3.2       | 7.8       | 4.8       | 6.4       | 3.2       | 10.9      | 6.0       | 12.4      | 7.2       |
| 18         | 8.6       | 3.6       | 7.4       | 3.2       | 7.8       | 4.8       | 6.4       | 3.2       | 10.9      | 6.0       | 12.4      | 7.2       |
| 20         | 7.8       | 3.6       | 7.6       | 3.2       | -         | -         | 7.5       | 3.2       | 9.3       | 6.0       | -         | -         |
| 22         | 7.8       | 3.6       | 7.6       | 3.2       | -         | -         | 7.5       | 3.2       | 9.3       | 6.0       | -         | -         |
| 24         | 6.7       | 3.6       | 6.5       | 3.2       | -         | -         | 6.4       | 3.2       | 8.2       | 6.0       | -         | -         |

Box mounting receptacle.  
 No rear accessory threads.  
 Flexible printed wiring terminations.  
 Consult factory for non-available contacts.



Jam nut receptacle

CPT07A

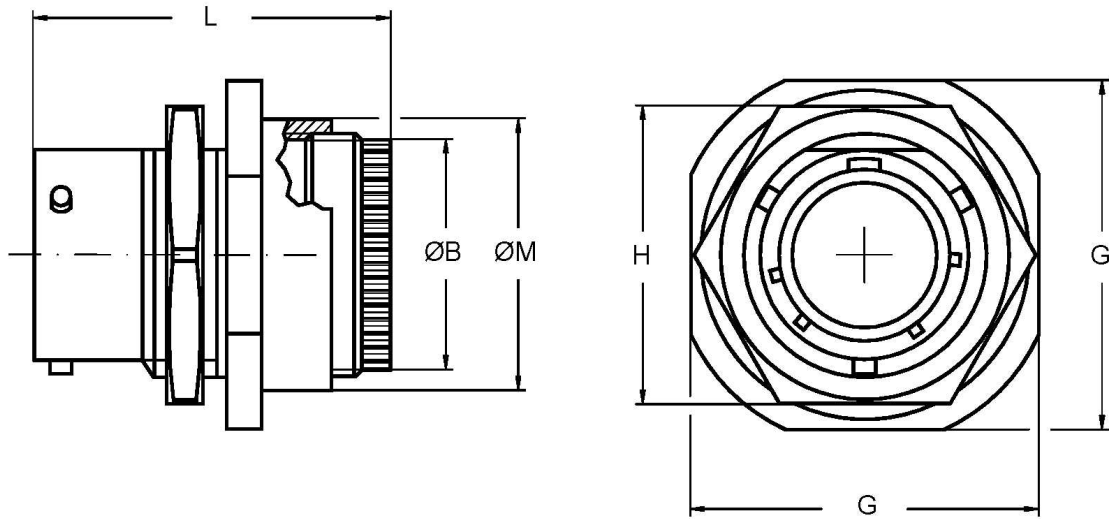


| Shell size | A<br>± 0.4 | B<br>± 1 | D<br>+ 0.02<br>-0.12 | E    |      | F<br>Thread in inches | G<br>± 0.4 | H<br>± 0.4 | S<br>± 0.4 |
|------------|------------|----------|----------------------|------|------|-----------------------|------------|------------|------------|
|            |            |          |                      | min. | Max. |                       |            |            |            |
| 8          | 17.70      | 4.8      | 12.01                | 1.6  | 3.2  | .5625 - 24 UNEF       | 23.8       | 19         | 3.2        |
| 10         | 17.70      | 4.8      | 14.98                | 1.6  | 3.2  | .6875 - 24 UNEF       | 27.0       | 22         | 3.2        |
| 12         | 17.70      | 4.8      | 19.05                | 1.6  | 3.2  | .8750 - 20 UNEF       | 31.7       | 27         | 3.2        |
| 14         | 17.70      | 4.8      | 22.22                | 1.6  | 3.2  | 1.0000 - 20 UNEF      | 34.9       | 30         | 3.2        |
| 16         | 17.70      | 4.8      | 25.40                | 1.6  | 3.2  | 1.1250 - 18 UNEF      | 38.1       | 33         | 3.2        |
| 18         | 17.70      | 4.8      | 28.57                | 1.6  | 3.2  | 1.2500 - 18 UNEF      | 41.3       | 36         | 3.2        |
| 20         | 22.45      | 5.6      | 31.75                | 1.6  | 6.3  | 1.3750 - 18 UNEF      | 46.0       | 40         | 4.0        |
| 22         | 22.45      | 5.6      | 34.92                | 1.6  | 6.3  | 1.5000 - 18 UNEF      | 49.2       | 43         | 4.0        |
| 24         | 23.30      | 4.8      | 38.10                | 1.6  | 6.3  | 1.6250 - 18 UNEF      | 52.4       | 46         | 4.0        |

Single hole fixing receptacle.  
No rear accessory threads.  
Has panel O-Ring seal

**Jam nut receptacle**

**CPT07E**

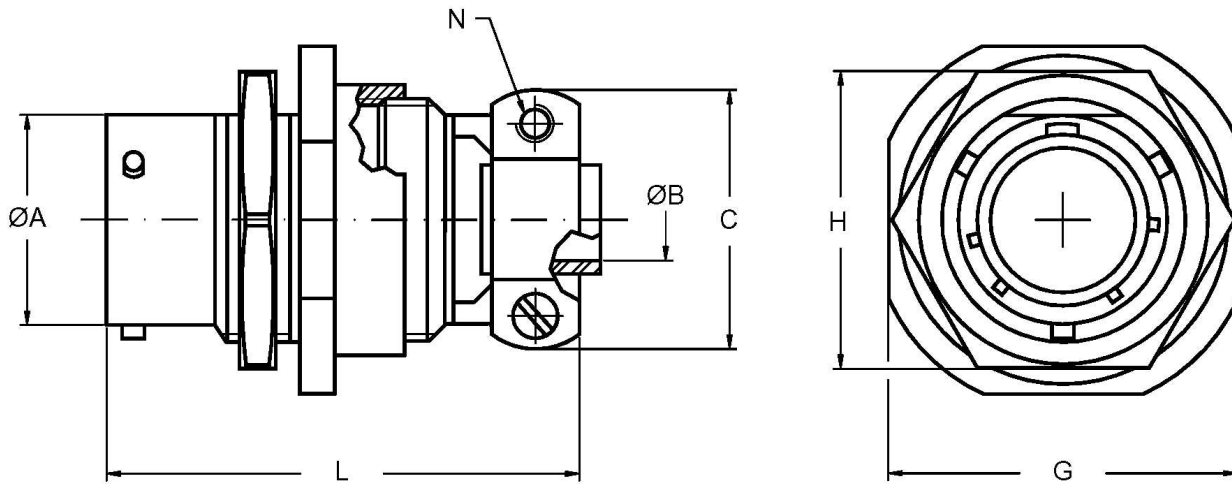


|                   | <b>B</b>    | <b>G</b>     | <b>H</b>     | <b>L</b>    | <b>M</b>    |
|-------------------|-------------|--------------|--------------|-------------|-------------|
| <b>Shell size</b> | <b>Max.</b> | <b>± 0.4</b> | <b>± 0.4</b> | <b>Max.</b> | <b>Max.</b> |
| <b>8</b>          | 13.5        | 23.8         | 19           | 34.40       | 18.5        |
| <b>10</b>         | 16.5        | 27.0         | 22           | 34.40       | 21.7        |
| <b>12</b>         | 19.5        | 31.7         | 27           | 34.40       | 24.9        |
| <b>14</b>         | 22.5        | 34.9         | 30           | 34.40       | 28.0        |
| <b>16</b>         | 25.5        | 38.1         | 33           | 34.40       | 31.2        |
| <b>18</b>         | 29.0        | 41.3         | 36           | 34.40       | 34.4        |
| <b>20</b>         | 31.8        | 46.0         | 40           | 40.75       | 38.4        |
| <b>22</b>         | 35.0        | 49.2         | 43           | 40.75       | 41.5        |
| <b>24</b>         | 38.0        | 52.4         | 46           | 52.30       | 44.7        |

Single hole fixing receptacle.  
With grommet and grommet nut.  
Has panel O-Ring seal.

Jam nut receptacle

CPT07E...SR



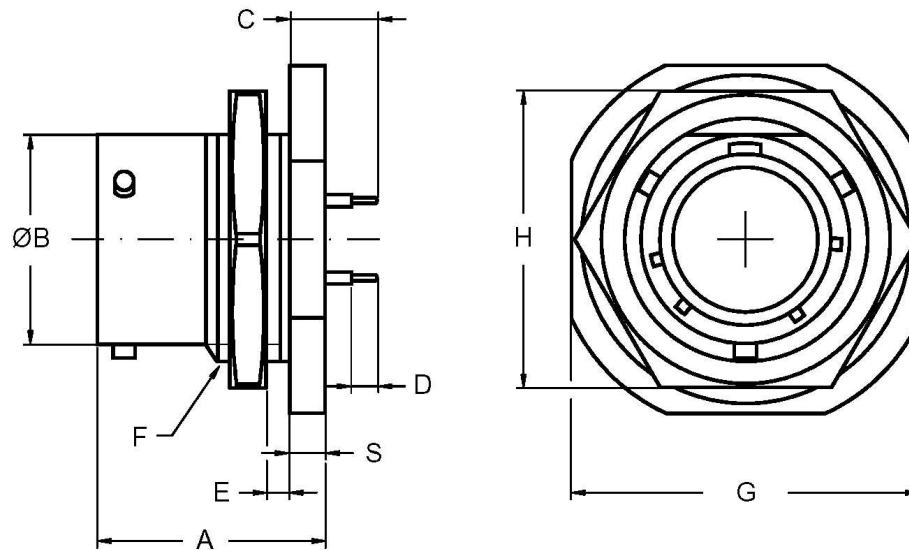
| Shell size | A<br>+0.02<br>-0.12 | B<br>±0.25 | C<br>Max. | G<br>±0.4 | H<br>±0.4 | L<br>Max | N thread |
|------------|---------------------|------------|-----------|-----------|-----------|----------|----------|
| 8          | 12.01               | 3.2        | 20.60     | 23.8      | 19        | 56       | 6 - 32   |
| 10         | 14.98               | 4.8        | 22.20     | 27.0      | 22        | 56       | 6 - 32   |
| 12         | 19.05               | 7.9        | 25.40     | 31.7      | 27        | 56       | 6 - 32   |
| 14         | 22.22               | 9.5        | 28.60     | 34.9      | 30        | 56       | 6 - 32   |
| 16         | 25.40               | 12.7       | 30.20     | 38.1      | 33        | 56       | 6 - 32   |
| 18         | 28.57               | 15.9       | 36.50     | 41.3      | 36        | 58       | 8 - 32   |
| 20         | 31.75               | 15.9       | 36.50     | 46.0      | 40        | 58       | 8 - 32   |
| 22         | 34.92               | 19.0       | 43.65     | 49.2      | 43        | 65       | 8 - 32   |
| 24         | 38.10               | 20.3       | 43.65     | 52.4      | 46        | 65       | 8 - 32   |

Single hole fixing receptacle with sealing grommet , cable clamp and rubber sleeve for cable protection.  
Has panel O-Ring seal .



Jam nut receptacle

CPT07Y



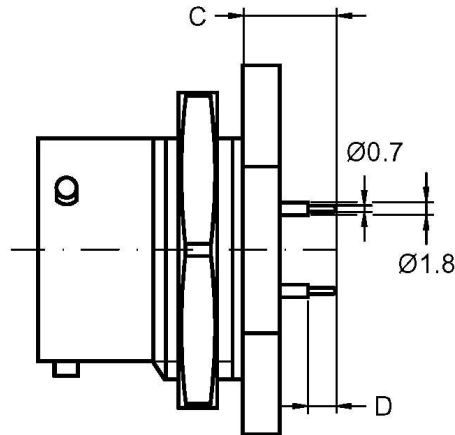
| Shell size | A     | B              | C                              | D                              | E    |      | F                | G    | H    | S    |
|------------|-------|----------------|--------------------------------|--------------------------------|------|------|------------------|------|------|------|
|            | ±0.2  | +0.02<br>-0.12 |                                |                                | min. | Max. | Thread in inches | ±0.4 | ±0.4 | ±0.4 |
| 8          | 20.85 | 12.01          | See the table on the next page | See the table on the next page | 1.6  | 3.2  | .5625 - 24 UNEF  | 23.8 | 19   | 3.2  |
| 10         | 20.85 | 14.98          |                                |                                | 1.6  | 3.2  | .6875 - 24 UNEF  | 27.0 | 22   | 3.2  |
| 12         | 20.85 | 19.05          |                                |                                | 1.6  | 3.2  | .8750 - 20 UNEF  | 31.7 | 27   | 3.2  |
| 14         | 20.85 | 22.22          |                                |                                | 1.6  | 3.2  | 1.0000 - 20 UNEF | 34.9 | 30   | 3.2  |
| 16         | 20.85 | 25.40          |                                |                                | 1.6  | 3.2  | 1.1250 - 18 UNEF | 38.1 | 33   | 3.2  |
| 18         | 20.85 | 28.57          |                                |                                | 1.6  | 3.2  | 1.2500 - 18 UNEF | 41.3 | 36   | 3.2  |
| 20         | 26.40 | 31.75          |                                |                                | 1.6  | 6.3  | 1.3750 - 18 UNEF | 46.0 | 40   | 4.0  |
| 22         | 26.40 | 34.92          |                                |                                | 1.6  | 6.3  | 1.5000 - 18 UNEF | 49.2 | 43   | 4.0  |
| 24         | 26.40 | 38.10          |                                |                                | 1.6  | 6.3  | 1.6250 - 18 UNEF | 52.4 | 46   | 4.0  |

Single hole fixing receptacle with plain shell for flexible printed wiring terminations. Has panel O-Ring seal.



**Jam nut receptacle**

**CPT07Y**

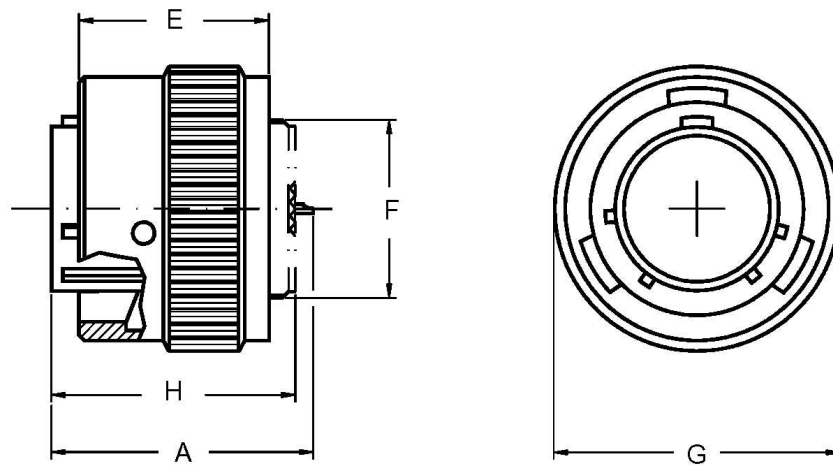


| Shell size | Y         |           | Y1        |           | Y2        |           | YS        |           | YL        |           | YM        |           |
|------------|-----------|-----------|-----------|-----------|-----------|-----------|-----------|-----------|-----------|-----------|-----------|-----------|
|            | C<br>±0.2 | D<br>±0.1 | C<br>±0.2 | D<br>±0.1 | C<br>±0.2 | D<br>±0.1 | C<br>±0.2 | D<br>±0.1 | C<br>±0.2 | D<br>±0.1 | C<br>±0.2 | D<br>±0.1 |
| 8          | 10.0      | 3.6       | 8.9       | 3.2       | 9.4       | 4.8       | 7.8       | 3.2       | 12.5      | 6.0       | 14.0      | 7.2       |
| 10         | 10.0      | 3.6       | 8.9       | 3.2       | 9.4       | 4.8       | 7.8       | 3.2       | 12.5      | 6.0       | 14.0      | 7.2       |
| 12         | 10.0      | 3.6       | 8.9       | 3.2       | 9.4       | 4.8       | 7.8       | 3.2       | 12.5      | 6.0       | 14.0      | 7.2       |
| 14         | 10.0      | 3.6       | 8.9       | 3.2       | 9.4       | 4.8       | 7.8       | 3.2       | 12.5      | 6.0       | 14.0      | 7.2       |
| 16         | 10.0      | 3.6       | 8.9       | 3.2       | 9.4       | 4.8       | 7.8       | 3.2       | 12.5      | 6.0       | 14.0      | 7.2       |
| 18         | 10.0      | 3.6       | 8.9       | 3.2       | 9.4       | 4.8       | 7.8       | 3.2       | 12.5      | 6.0       | 14.0      | 7.2       |
| 20         | 9.6       | 3.6       | 9.3       | 3.2       | -         | -         | 9.3       | 3.2       | 11.1      | 6.0       | -         | -         |
| 22         | 9.6       | 3.6       | 9.3       | 3.2       | -         | -         | 9.3       | 3.2       | 11.1      | 6.0       | -         | -         |
| 24         | 8.8       | 3.6       | 8.5       | 3.2       | -         | -         | 8.5       | 3.2       | 10.3      | 6.0       | -         | -         |

Single hole fixing receptacle with plain shell for flexible printed wiring terminations. Has panel O-Ring seal. Consult factory for non-available contacts.

**Straight plug**

**CPT06A... N0**



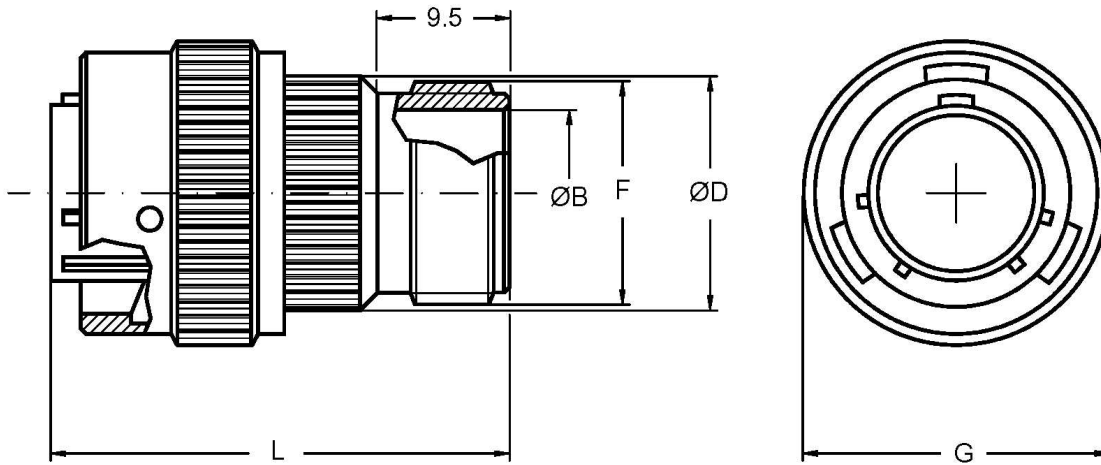
|            | A    | H     | F                | ØG    | E     |
|------------|------|-------|------------------|-------|-------|
| Shell size | Max. | ± 0.2 | Thread in inches | Max.  | ± 0.2 |
| 8          | 25.4 | 21.4  | .4375 - 28 UNEF  | 19.05 | 18    |
| 10         | 25.4 | 21.4  | .5625 - 24 UNEF  | 21.80 | 18    |
| 12         | 25.4 | 21.4  | .6875 - 24 UNEF  | 26.20 | 18    |
| 14         | 25.4 | 21.4  | .8125 - 20 UNEF  | 29.40 | 18    |
| 16         | 25.4 | 21.4  | .9375 - 20 UNEF  | 32.55 | 18    |
| 18         | 25.4 | 21.4  | 1.0625 - 18 UNEF | 35.35 | 18    |
| 20         | 27.8 | 25.4  | 1.1875 - 18 UNEF | 38.90 | 19    |
| 22         | 27.8 | 25.4  | 1.3125 - 18 UNEF | 42.10 | 19    |
| 24         | 27.8 | 27.0  | 1.4375 - 18 UNEF | 45.10 | 20    |

Straight plug without backshell .  
Available with Arctic coupling nut .



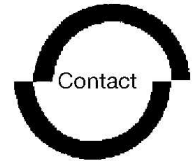
**Straight plug**

**CPT06A**



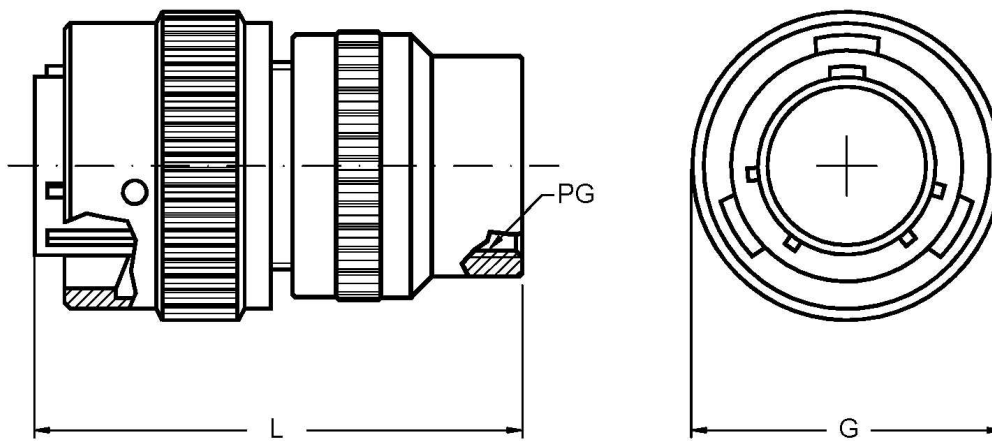
| Shell size | B<br>min. | D<br>Max. | F<br>Thread in inches | G<br>Max. | L<br>Max. |
|------------|-----------|-----------|-----------------------|-----------|-----------|
| 8          | 7.55      | 15.00     | .5000 - 28 UNEF       | 19.05     | 40.90     |
| 10         | 10.70     | 18.20     | .6250 - 24 UNEF       | 21.80     | 40.90     |
| 12         | 13.85     | 21.20     | .7500 - 20 UNEF       | 26.20     | 40.90     |
| 14         | 16.85     | 24.60     | .8750 - 20 UNEF       | 29.40     | 40.90     |
| 16         | 20.00     | 27.60     | 1.0000 - 20 UNEF      | 32.55     | 40.90     |
| 18         | 22.30     | 30.90     | 1.1875 - 18 UNEF      | 35.35     | 40.90     |
| 20         | 25.75     | 33.80     | 1.1875 - 18 UNEF      | 38.90     | 42.10     |
| 22         | 28.80     | 37.10     | 1.4375 - 18 UNEF      | 42.10     | 42.10     |
| 24         | 32.00     | 40.25     | 1.4375 - 18 UNEF      | 45.10     | 43.45     |

Straight plug with general duty backshell  
for cable clamp CM3057-XX A-B-C.  
No grommet supplied



**Straight plug**

**CPT06A...PG\_\_**



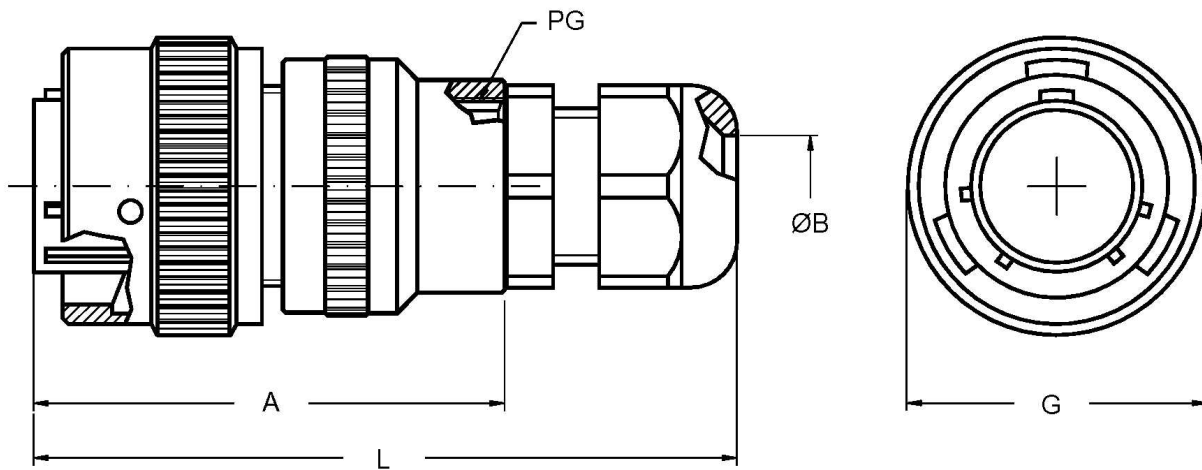
| Shell size | L<br>Max | PG thread      | G<br>Max. |
|------------|----------|----------------|-----------|
| 8          | 40       | 7 / 9          | 19.05     |
| 10         | 40       | 9              | 21.80     |
| 12         | 40       | 11             | 26.20     |
| 14         | 45       | 11 / 13.5 / 16 | 29.40     |
| 16         | 45       | 11 / 13.5 / 16 | 32.55     |
| 18         | 45       | 13.5 / 16      | 35.35     |
| 20         | 52       | 13.5 / 16      | 38.90     |
| 22         | 60       | 13.5 / 16 / 21 | 42.10     |
| 24         | 60       | 13.5 / 16 / 21 | 45.10     |

Straight plug with backshell for use with PG glands (not included). Other PG sizes and types available on request.  
No grommet supplied.



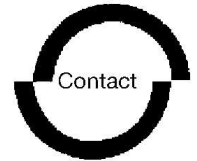
**Straight plug**

**CPT06A...PH\_\_**



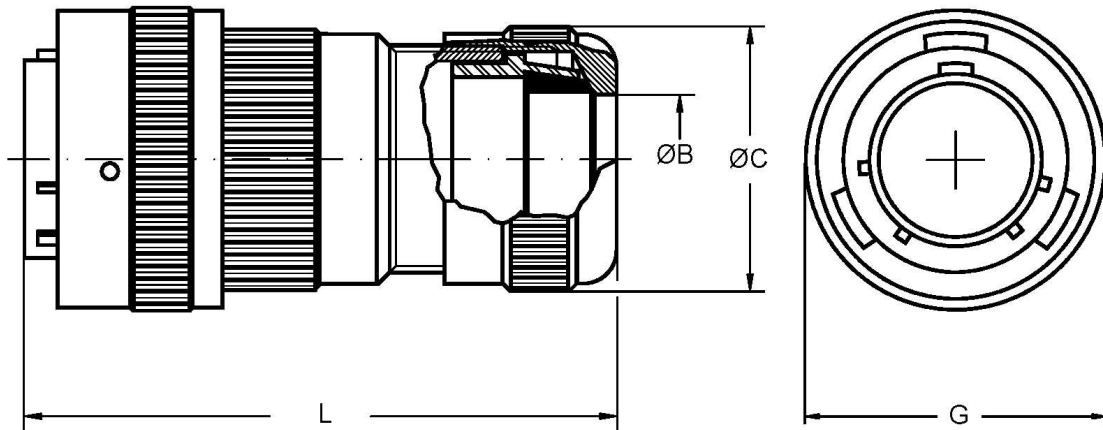
| Shell size | A<br>Max | B<br>min. ÷ max.    | PG thread      | L<br>Max. | G<br>Max |
|------------|----------|---------------------|----------------|-----------|----------|
| 8          | 40       | 3+6.5 / 4+8         | 7 / 9          | 65        | 19.05    |
| 10         | 40       | 4+8                 | 9              | 65        | 21.80    |
| 12         | 40       | 5+10                | 11             | 65        | 26.20    |
| 14         | 45       | 5+10 / 6+12 / 9+14  | 11 / 13.5 / 16 | 75        | 29.40    |
| 16         | 45       | 5+10 / 6+12 / 9+14  | 11 / 13.5 / 16 | 75        | 32.55    |
| 18         | 45       | 6+12 / 9+14         | 13.5 / 16      | 75        | 35.35    |
| 20         | 52       | 6+12 / 9+14         | 13.5 / 16      | 82        | 38.90    |
| 22         | 60       | 6+12 / 9+14 / 13+18 | 13.5 / 16 / 21 | 95        | 42.10    |
| 24         | 60       | 6+12 / 9+14 / 13+18 | 13.5 / 16 / 21 | 95        | 45.10    |

Straight plug with backshell and plastic  
PG cable gland . Other PG sizes and  
types available upon request.  
No grommet supplied.



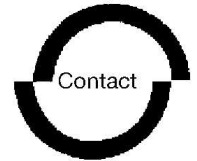
**Straight plug**

**CPT06A...PHM\_\_**



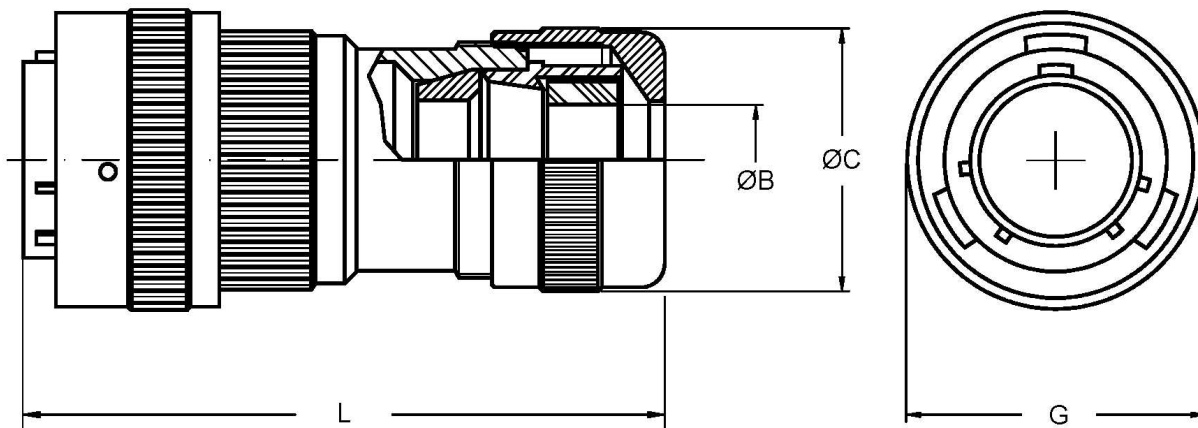
| Shell size | P.N. PHM     | B<br>min. ÷ Max.       | C<br>Max. | G<br>Max. | L<br>Max. |
|------------|--------------|------------------------|-----------|-----------|-----------|
| 8          | 11           | 2+11                   | 15        | 19.05     | 47        |
| 10         | 11           | 2+11                   | 21        | 21.80     | 49        |
| 12         | 11           | 2+11                   | 24        | 26.20     | 58        |
| 14         | 11           | 2+11                   | 24        | 29.40     | 58        |
| 16         | 11           | 2+11                   | 24        | 32.55     | 58        |
| 18         | 11 / 18      | 2+11 / 9+16.5          | 42        | 35.35     | 75        |
| 20         | 18           | 9+16.5                 | 42        | 38.90     | 75        |
| 22         | 18           | 9+16.5                 | 42        | 42.10     | 75        |
| 24         | 18 / 22 / 24 | 9+16.5 / 15+20 / 19+24 | 42        | 45.10     | 75        |

Straight plug with PHM cable clamp .  
 Rubber sleeves included to allow use of  
 different diameter cables.  
 No grommet supplied.



**Straight plug**

**CPT06A...PHM\_\_EMI**

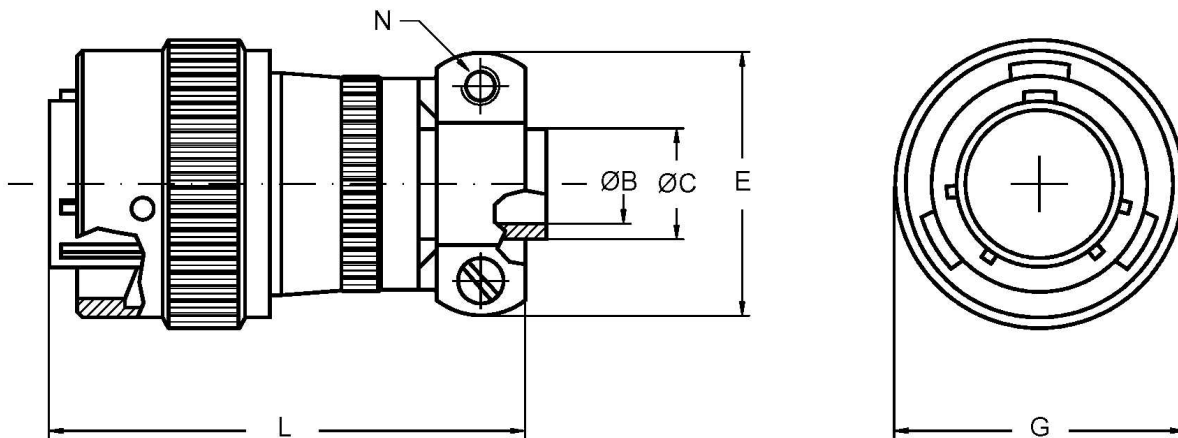


| Shell size | P.N. PHM     | B<br>min. ÷ max.       | D<br>Max. | G<br>Max | L<br>Max. |
|------------|--------------|------------------------|-----------|----------|-----------|
| 8          | 11           | 2+11                   | 15.0      | 19.05    | 60        |
| 10         | 11           | 2+11                   | 21.0      | 21.80    | 60        |
| 12         | 11           | 2+11                   | 24.0      | 26.20    | 70        |
| 14         | 11           | 2+11                   | 24.0      | 29.40    | 70        |
| 16         | 11           | 2+11                   | 24.0      | 32.55    | 70        |
| 18         | 11 / 18      | 2+11 / 9+16.5          | 42.0      | 35.35    | 85        |
| 20         | 18           | 9+16.5                 | 42.0      | 38.90    | 85        |
| 22         | 18           | 9+16.5                 | 42.0      | 42.10    | 85        |
| 24         | 18 / 22 / 24 | 9+16.5 / 15+20 / 19+24 | 42.0      | 45.10    | 85        |

Straight plug with PHM cable clamp.  
 Rubber sleeves included to allow use of  
 different diameter cables.  
 No grommet supplied.

**Straight plug**

**CPT06A...SR**

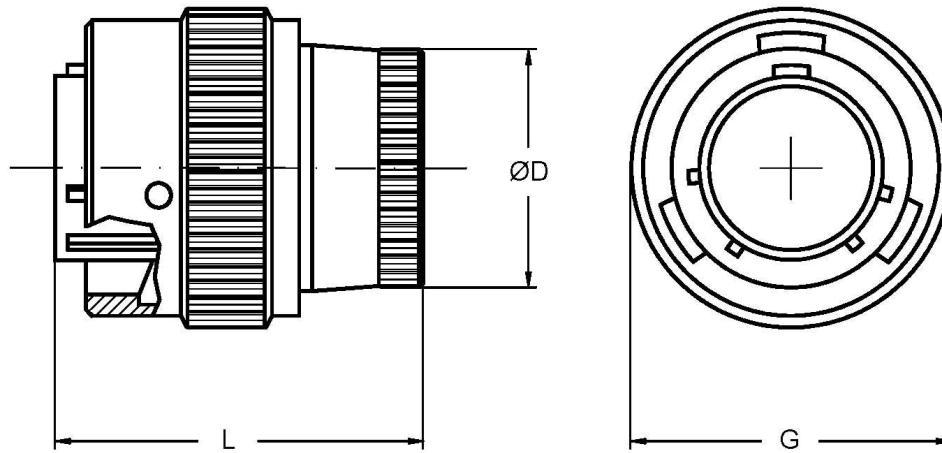


| Shell size | B<br>± 0.25 | C<br>min. | E<br>Max. | G<br>± 0.4 | L<br>Max. | N      |
|------------|-------------|-----------|-----------|------------|-----------|--------|
| 8          | 3.2         | 6.10      | 20.60     | 19.05      | 44.70     | 6 - 32 |
| 10         | 4.8         | 7.70      | 22.20     | 21.80      | 44.70     | 6 - 32 |
| 12         | 7.9         | 10.90     | 25.40     | 26.20      | 44.70     | 6 - 32 |
| 14         | 9.5         | 14.00     | 28.60     | 29.40      | 44.70     | 6 - 32 |
| 16         | 12.7        | 15.60     | 30.20     | 32.55      | 48.10     | 6 - 32 |
| 18         | 15.9        | 18.80     | 36.50     | 35.35      | 48.10     | 8 - 32 |
| 20         | 15.9        | 18.80     | 36.50     | 38.90      | 52.85     | 8 - 32 |
| 22         | 19.0        | 23.60     | 43.65     | 42.10      | 52.85     | 8 - 32 |
| 24         | 20.3        | 25.15     | 43.65     | 45.10      | 54.40     | 8 - 32 |

Straight plug with cable clamp and rubber sleeve. No grommet supplied.

**Straight plug**

**CPT06E**



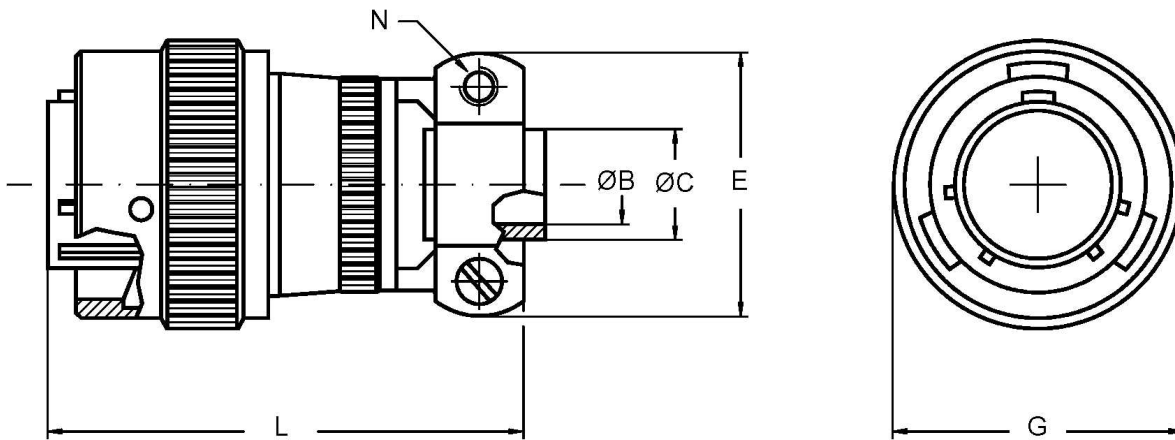
|            | D     | G     | L     |
|------------|-------|-------|-------|
| Shell size | Max.  | ± 0.4 | Max.  |
| 8          | 14.20 | 19.05 | 32.15 |
| 10         | 17.40 | 21.80 | 32.15 |
| 12         | 20.65 | 26.20 | 32.15 |
| 14         | 23.60 | 29.40 | 32.15 |
| 16         | 26.85 | 32.55 | 32.15 |
| 18         | 29.85 | 35.35 | 32.15 |
| 20         | 33.00 | 38.90 | 36.50 |
| 22         | 36.30 | 42.10 | 36.50 |
| 24         | 39.50 | 45.10 | 38.10 |

Straight plug with grommet and grommet nut.



**Straight plug**

**CPT06E...SR**



| Shell size | B<br>± 0.25 | C<br>min. | E<br>Max. | G<br>± 0.4 | L<br>Max. | N      |
|------------|-------------|-----------|-----------|------------|-----------|--------|
| 8          | 3.2         | 6.10      | 20.60     | 19.05      | 44.70     | 6 - 32 |
| 10         | 4.8         | 7.70      | 22.20     | 21.80      | 44.70     | 6 - 32 |
| 12         | 7.9         | 10.90     | 25.40     | 26.20      | 44.70     | 6 - 32 |
| 14         | 9.5         | 14.00     | 28.60     | 29.40      | 44.70     | 6 - 32 |
| 16         | 12.7        | 15.60     | 30.20     | 32.55      | 48.10     | 6 - 32 |
| 18         | 15.9        | 18.80     | 36.50     | 35.35      | 48.10     | 8 - 32 |
| 20         | 15.9        | 18.80     | 36.50     | 38.90      | 52.85     | 8 - 32 |
| 22         | 19.0        | 23.60     | 43.65     | 42.10      | 52.85     | 8 - 32 |
| 24         | 20.3        | 25.15     | 43.65     | 45.10      | 54.40     | 8 - 32 |

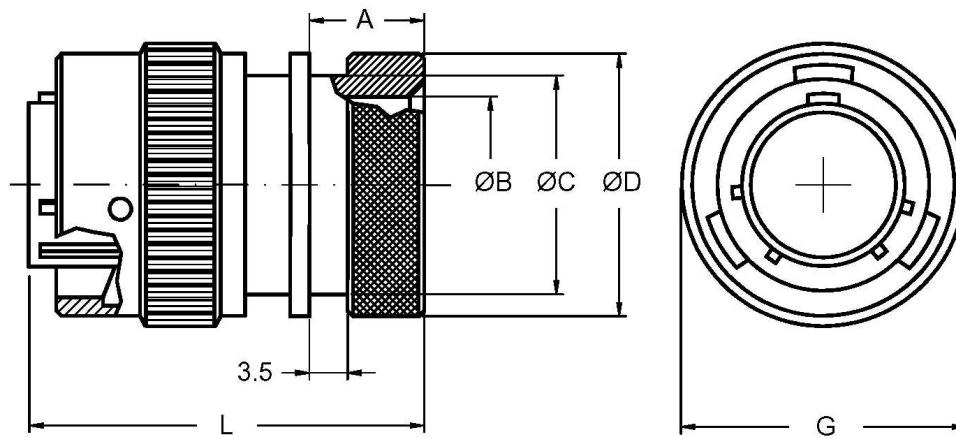
Straight plug with sealing grommet ,  
cable clamp and rubber sleeve for cable  
protection.





**Straight plug**

**CPT06G**

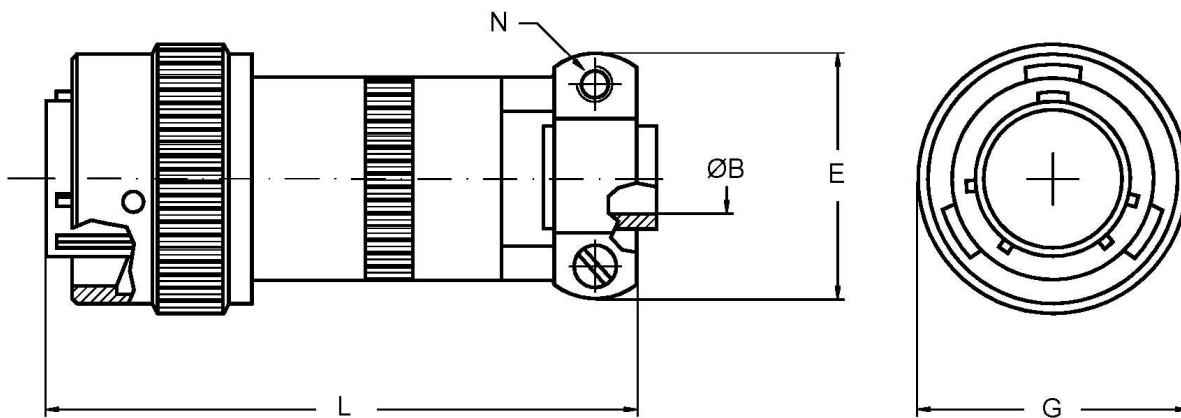


| Size | A<br>+ 0.1 | ØB<br>+ 0.1<br>- 0 | ØC<br>+ 0<br>- 0.1 | ØD<br>+ 0<br>- 0.3 | L<br>Max. | ØG<br>Max. |
|------|------------|--------------------|--------------------|--------------------|-----------|------------|
| 8    | 12.2       | 8.20               | 13.0               | 15.5               | 39        | 19.05      |
| 10   | 12.2       | 11.40              | 15.8               | 18.3               | 39        | 21.80      |
| 12   | 12.2       | 14.55              | 21.0               | 23.6               | 39        | 26.20      |
| 14   | 12.2       | 17.50              | 21.8               | 24.4               | 39        | 29.40      |
| 16   | 14.5       | 20.60              | 25.9               | 29.7               | 42        | 32.55      |
| 18   | 14.5       | 23.15              | 28.2               | 31.9               | 42        | 35.35      |
| 20   | 15.8       | 26.50              | 32.2               | 36.0               | 47        | 38.90      |
| 22   | 15.8       | 29.60              | 34.5               | 38.4               | 47        | 42.10      |
| 24   | 14.9       | 32.80              | 37.6               | 41.5               | 47        | 45.10      |

Straight plug with sealing grommet and backshell for heat shrink sleeves.

**Straight plug**

**CPT06J**

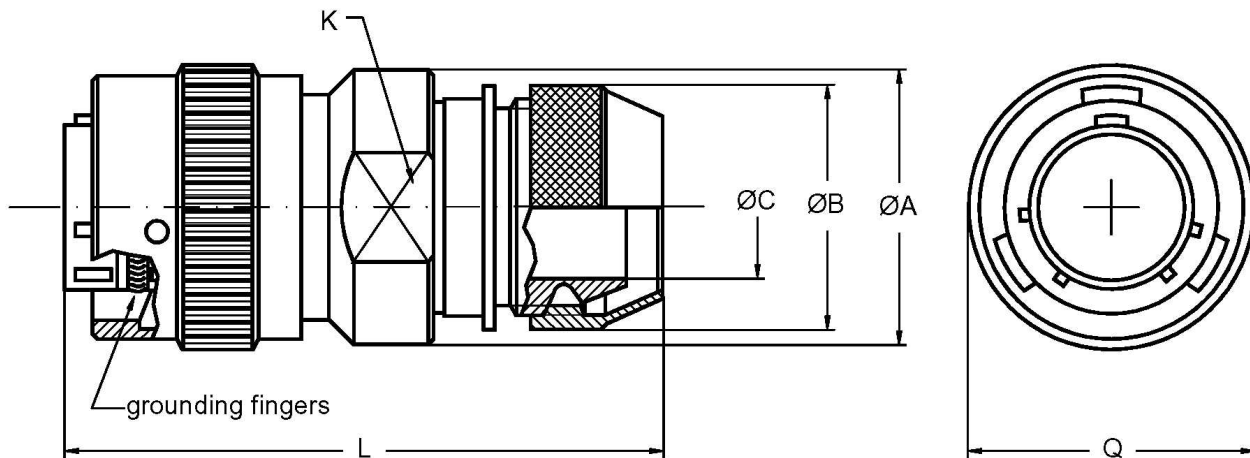


| Shell size | B<br>± 0.25 | E<br>Max. | G<br>± 0.4 | L<br>Max. | N      |
|------------|-------------|-----------|------------|-----------|--------|
| 8          | 3.2         | 20.60     | 19.05      | 53        | 6 - 32 |
| 10         | 4.8         | 22.20     | 21.80      | 53        | 6 - 32 |
| 12         | 7.9         | 25.40     | 26.20      | 57        | 6 - 32 |
| 14         | 9.5         | 28.60     | 29.40      | 62        | 6 - 32 |
| 16         | 12.7        | 30.20     | 32.55      | 70        | 6 - 32 |
| 18         | 15.9        | 36.50     | 35.35      | 76        | 8 - 32 |
| 20         | 15.9        | 36.50     | 38.90      | 86        | 8 - 32 |
| 22         | 19.0        | 43.65     | 32.10      | 90        | 8 - 32 |
| 24         | 20.3        | 43.65     | 45.10      | 96        | 8 - 32 |

Straight plug with backshell incorporating a metal sleeve with gland seal and cable clamp. No grommet supplied.

**Straight plug**

**CPT06M  
CPTG06M**

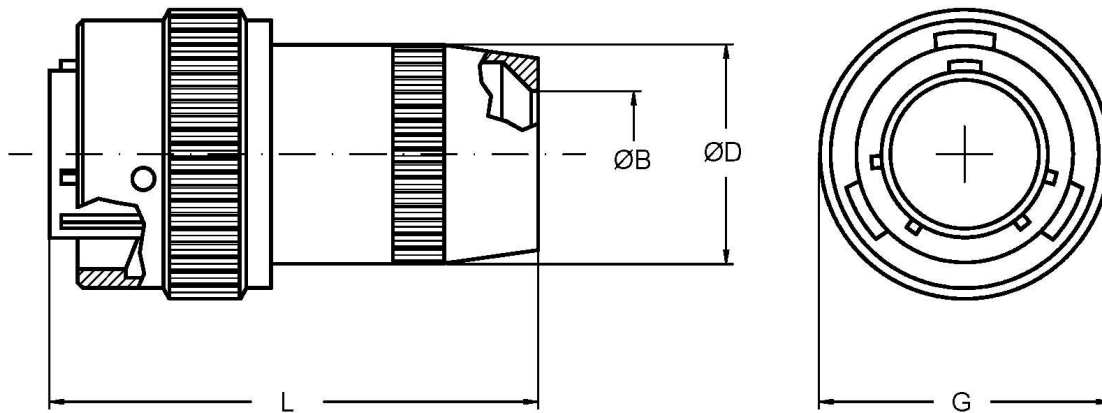


| Shell size | A<br>Max. | B<br>Max. | C<br>min. | K key | L<br>Max | Q<br>Max. |
|------------|-----------|-----------|-----------|-------|----------|-----------|
| 8          | 19.80     | 16.3      | 6.70      | 18    | 52.0     | 19.05     |
| 10         | 22.50     | 18.4      | 9.30      | 21    | 52.0     | 21.80     |
| 12         | 26.90     | 22.4      | 12.25     | 24    | 52.0     | 26.20     |
| 14         | 29.90     | 25.4      | 15.40     | 28    | 53.0     | 29.40     |
| 16         | 32.85     | 28.4      | 18.50     | 31    | 53.0     | 32.55     |
| 18         | 35.80     | 32.4      | 20.20     | 34    | 53.0     | 35.35     |
| 20         | 39.60     | 34.4      | 23.20     | 37    | 57.0     | 38.90     |
| 22         | 42.90     | 38.4      | 26.05     | 41    | 57.0     | 42.10     |
| 24         | 45.90     | 41.3      | 30.00     | 44    | 58.5     | 45.10     |

Straight plug with backshell for terminating shielded cable.  
 Suitable for heat shrink boots.  
 Can be ordered with grounding fingers with Pt.No. CPTG06M .

**Straight plug**

**CPT06W**

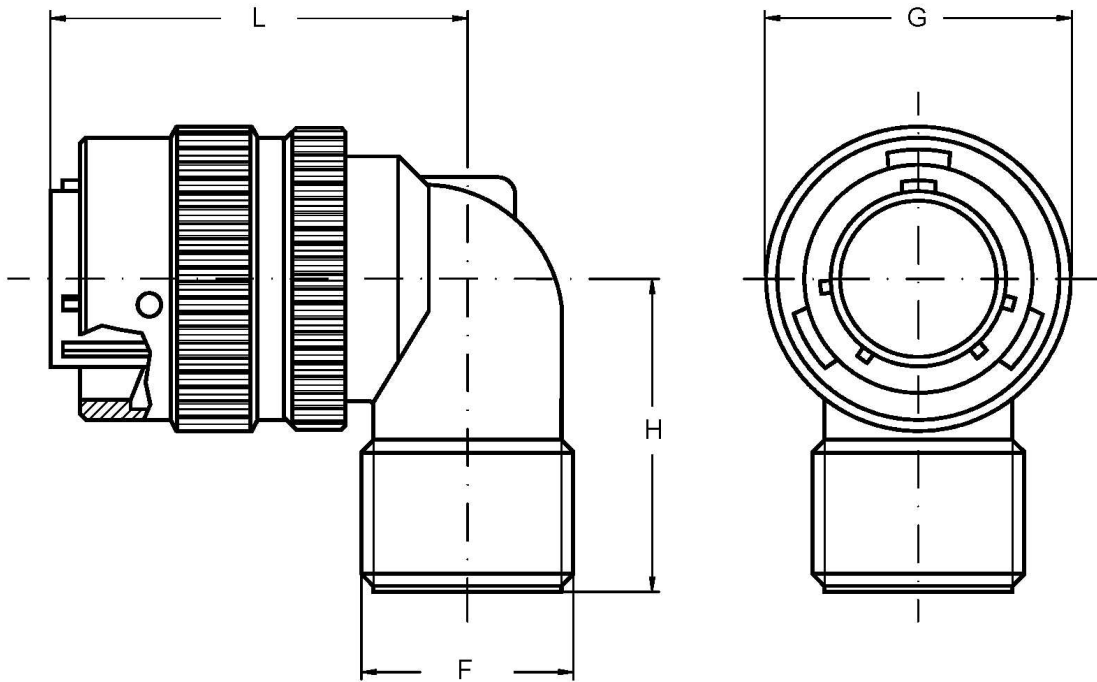


| Shell size | B     |       | D     | G     | L     |
|------------|-------|-------|-------|-------|-------|
|            | min.  | Max.  | Max.  | ± 0.4 | Max.  |
| 8          | 4.25  | 5.85  | 13.90 | 19.05 | 43.30 |
| 10         | 5.20  | 7.90  | 17.15 | 21.80 | 43.30 |
| 12         | 8.60  | 11.20 | 20.60 | 26.20 | 46.90 |
| 14         | 10.55 | 13.70 | 23.90 | 29.40 | 51.80 |
| 16         | 14.00 | 15.65 | 27.10 | 32.55 | 57.30 |
| 18         | 15.25 | 17.10 | 30.30 | 35.35 | 63.15 |
| 20         | 16.10 | 19.00 | 33.60 | 38.90 | 72.20 |
| 22         | 17.00 | 21.50 | 36.80 | 42.10 | 76.20 |
| 24         | 18.80 | 22.70 | 40.00 | 45.10 | 81.55 |

Straight plug with backshell incorporating a metal sleeve and gland seal. No grommet supplied.

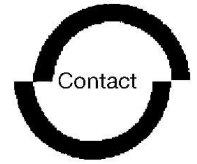
90° plug

CPT08AM

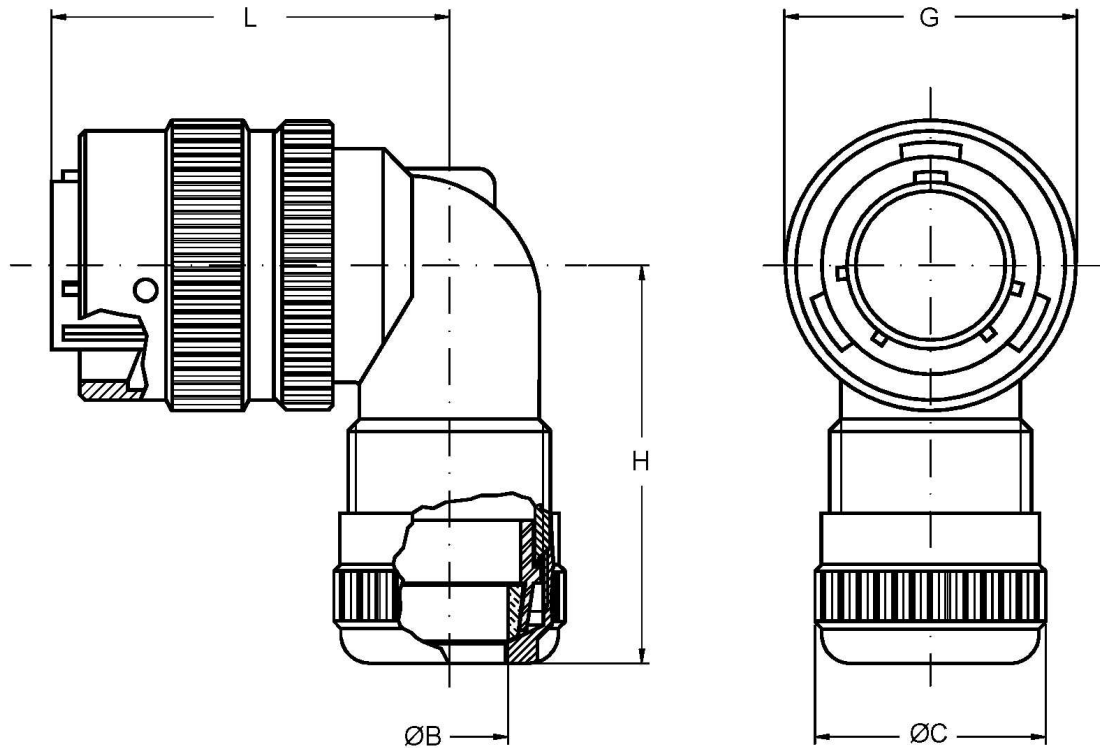


| Shell size | F<br>Thread in inches | G<br>Max. | H<br>± 1 | L<br>± 1 |
|------------|-----------------------|-----------|----------|----------|
| 8          | .5000 - 28 UNEF       | 19.05     | 19       | 32       |
| 10         | .6250 - 24 UNEF       | 21.80     | 24       | 32       |
| 12         | .7500 - 20 UNEF       | 26.20     | 27       | 35       |
| 14         | .8750 - 20 UNEF       | 29.40     | 28       | 38       |
| 16         | 1.0000 - 20 UNEF      | 32.55     | 30       | 41       |
| 18         | 1.1875 - 18 UNEF      | 35.35     | 32       | 44       |
| 20         | 1.1875 - 18 UNEF      | 38.90     | 34       | 48       |
| 22         | 1.4375 - 18 UNEF      | 42.10     | 36       | 51       |
| 24         | 1.4375 - 18 UNEF      | 45.10     | 39       | 56       |

Plug with 90° backshell for cable clamp  
CM3057-XX A-B-C.  
No grommet supplied.

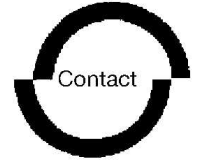


90° plug  
CPT08A...PHM



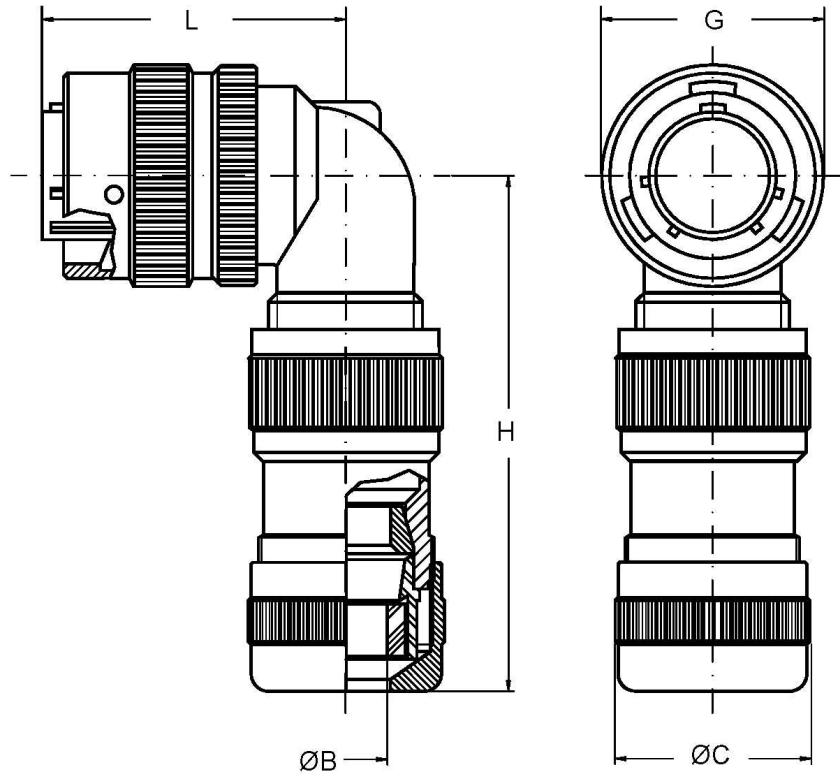
| Shell size | P.N. PHM     | B<br>min. ÷ Max.       | C<br>Max. | G<br>Max. | H<br>Max. | L<br>±1 |
|------------|--------------|------------------------|-----------|-----------|-----------|---------|
| 8          | 11           | 2+11                   | 15        | 19.05     | 40        | 32      |
| 10         | 11           | 2+11                   | 21        | 21.80     | 40        | 32      |
| 12         | 11           | 2+11                   | 24        | 26.20     | 43        | 35      |
| 14         | 11           | 2+11                   | 24        | 29.40     | 46        | 38      |
| 16         | 11           | 2+11                   | 24        | 32.55     | 53        | 41      |
| 18         | 11 / 18      | 2+11 / 9+16.5          | 42        | 35.35     | 53        | 44      |
| 20         | 18           | 9+16.5                 | 42        | 38.90     | 53        | 48      |
| 22         | 18           | 9+16.5                 | 42        | 42.10     | 56        | 51      |
| 24         | 18 / 22 / 24 | 9+16.5 / 15+20 / 19+24 | 42        | 45.10     | 56        | 56      |

Plug with 90° backshell and PHM cable clamp .  
 The PHM cable clamp assures an excellent mechanical and waterproof sealing if used with the correct neoprene sealing sleeves .  
 No grommet supplied .



90° plug

CPT08A...PHM\_\_EMI



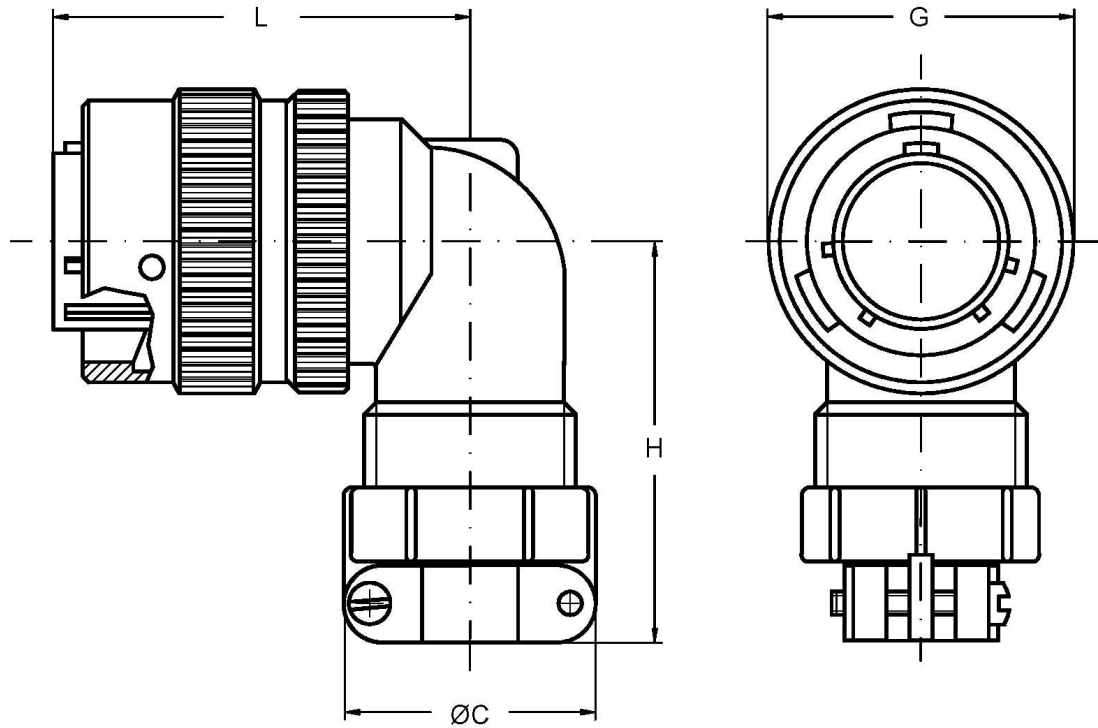
| Shell size | P.N. PHM     | B<br>min. ÷ Max.       | C<br>Max. | G<br>Max. | H<br>Max. | L<br>±1 |
|------------|--------------|------------------------|-----------|-----------|-----------|---------|
| 8          | 11           | 2+11                   | 15        | 19.05     | 60        | 32      |
| 10         | 11           | 2+11                   | 21        | 21.80     | 60        | 32      |
| 12         | 11           | 2+11                   | 24        | 26.20     | 63        | 35      |
| 14         | 11           | 2+11                   | 24        | 29.40     | 66        | 38      |
| 16         | 11           | 2+11                   | 24        | 32.55     | 73        | 41      |
| 18         | 11 / 18      | 2+11 / 9+16.5          | 42        | 35.35     | 73        | 44      |
| 20         | 18           | 9+16.5                 | 42        | 38.90     | 73        | 48      |
| 22         | 18           | 9+16.5                 | 42        | 42.10     | 76        | 51      |
| 24         | 18 / 22 / 24 | 9+16.5 / 15+20 / 19+24 | 42        | 45.10     | 76        | 56      |

Plug with 90° backshell and PHM cable clamp .  
 The PHM cable clamp assures an excellent mechanical and waterproof sealing if used with the correct neoprene sealing sleeves .  
 No grommet supplied .



90° plug

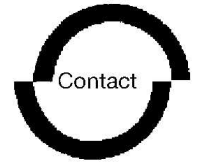
CPT08EM



|            | C    | G     | H   | L   |
|------------|------|-------|-----|-----|
| Shell size | Max. | Max.  | ± 1 | ± 1 |
| 8          | 17.5 | 19.05 | 37  | 32  |
| 10         | 22.0 | 21.80 | 37  | 32  |
| 12         | 27.0 | 26.20 | 40  | 35  |
| 14         | 28.0 | 29.40 | 43  | 38  |
| 16         | 33.0 | 32.55 | 50  | 41  |
| 18         | 35.0 | 35.35 | 50  | 44  |
| 20         | 35.0 | 38.90 | 50  | 48  |
| 22         | 43.0 | 42.10 | 53  | 51  |
| 24         | 43.0 | 45.10 | 53  | 56  |

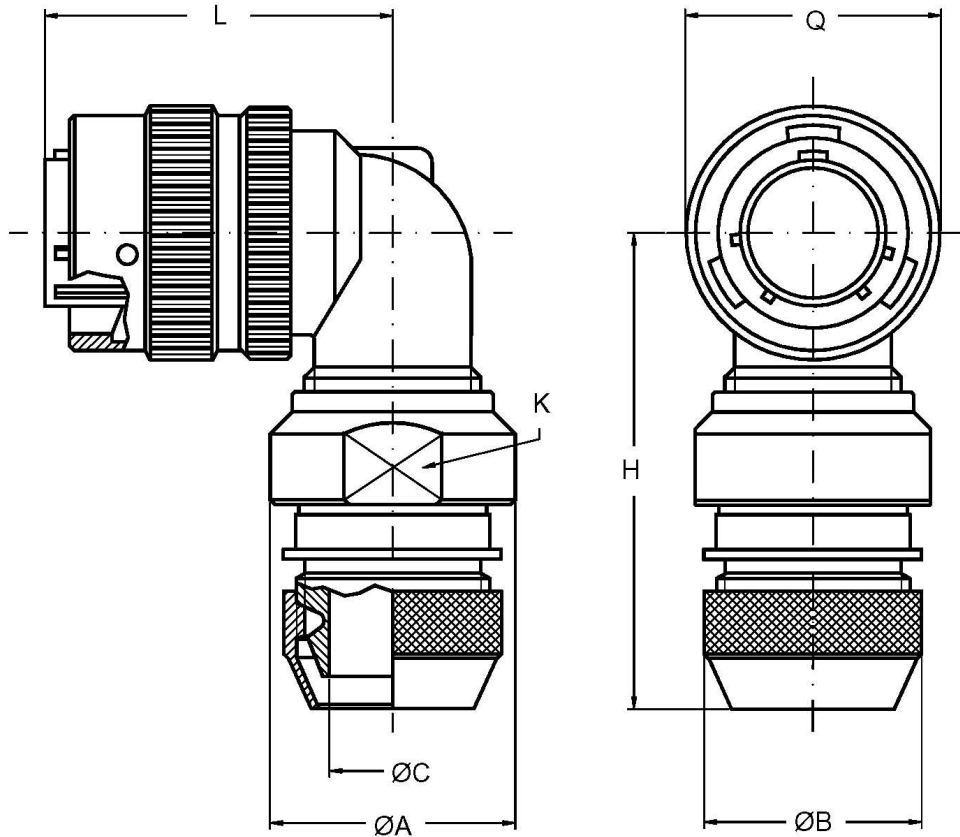
Plug with 90° backshell , sealing grommet and cable clamp.





90° plug

CPT08M  
CPTG08M

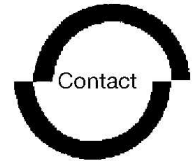


| Shell size | A<br>Max. | B<br>Max. | C<br>min. | H<br>Max. | K key | L<br>Max | Q<br>Max. |
|------------|-----------|-----------|-----------|-----------|-------|----------|-----------|
| 8          | 19.80     | 16.3      | 6.70      | 55        | 18    | 52.0     | 19.05     |
| 10         | 22.50     | 18.4      | 9.30      | 60        | 21    | 52.0     | 21.80     |
| 12         | 26.90     | 22.4      | 12.25     | 63        | 24    | 52.0     | 26.20     |
| 14         | 29.90     | 25.4      | 15.40     | 65        | 28    | 53.0     | 29.40     |
| 16         | 32.85     | 28.4      | 18.50     | 67        | 31    | 53.0     | 32.55     |
| 18         | 35.80     | 32.4      | 20.20     | 69        | 34    | 53.0     | 35.35     |
| 20         | 39.60     | 34.4      | 23.20     | 71        | 37    | 57.0     | 38.90     |
| 22         | 42.90     | 38.4      | 26.05     | 73        | 41    | 57.0     | 42.10     |
| 24         | 45.90     | 41.3      | 30.00     | 76        | 44    | 58.5     | 45.10     |

Plug with 90° backshell for terminating shielded cable.

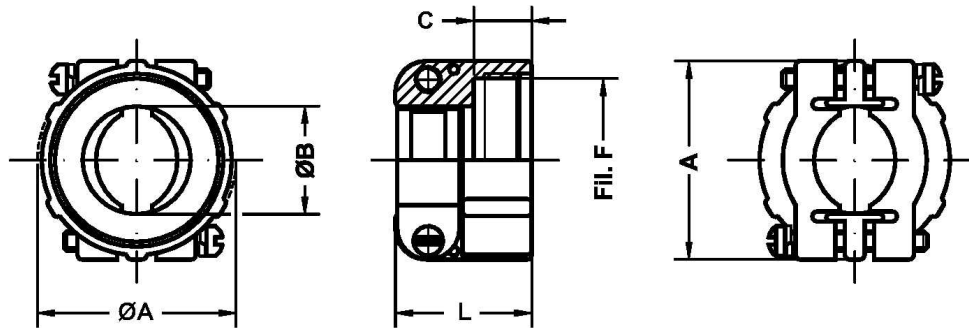
Suitable for heat shrink boots.

Can be ordered with grounding fingers with Pt.No. CPTG08M .



**Cable clamp**

**CM3057-XXA**

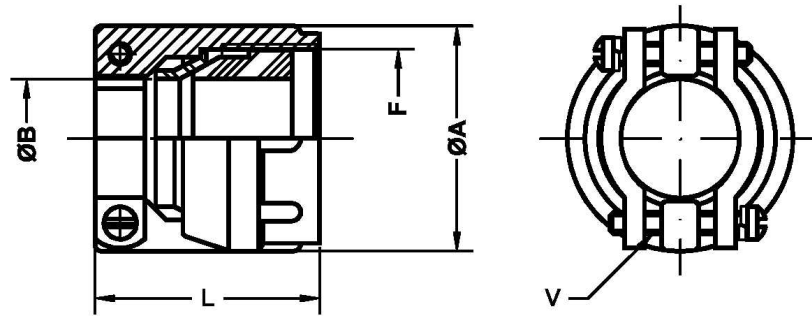


| Contact P/N  | Connector size | Sleeve to use | A  | B    | C    | F thread        | L    |
|--------------|----------------|---------------|----|------|------|-----------------|------|
| CM3057 - 3A  | 8              | CM3420 - 3    | 18 | 6.8  | 10.2 | 0.5000 - 28UNEF | 20.6 |
| CM3057 - 4A  | 10             | CM3420 - 4    | 25 | 8.2  | 10.2 | 0.6250 - 24UNEF | 21.0 |
| CM3057 - 6A  | 12             | CM3420 - 6    | 27 | 11.2 | 10.2 | 0.7500 - 20UNEF | 22.2 |
| CM3057 - 8A  | 14             | CM3420 - 8    | 28 | 14.2 | 10.2 | 0.8750 - 20UNEF | 24.0 |
| CM3057 - 10A | 16             | CM3420 - 10   | 33 | 16.0 | 10.2 | 1.0000 - 20UNEF | 28.5 |
| CM3057 - 12A | 18             | CM3420 - 12   | 35 | 19.0 | 10.2 | 1.1875 - 18NEF  | 24.0 |
| CM3057 - 12A | 20             | CM3420 - 12   | 35 | 19.0 | 10.2 | 1.1875 - 18NEF  | 24.0 |
| CM3057 - 16A | 22             | CM3420 - 16   | 43 | 23.8 | 10.5 | 1.4375 - 18NEF  | 26.0 |
| CM3057 - 16A | 24             | CM3420 - 16   | 43 | 23.8 | 10.5 | 1.4375 - 18NEF  | 26.0 |

General duty cable clamp suitable for jacketed cable or wires protected by tubing.

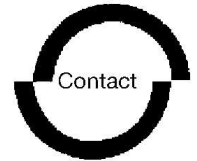
**Cable clamp**

**CM3057-XXC**



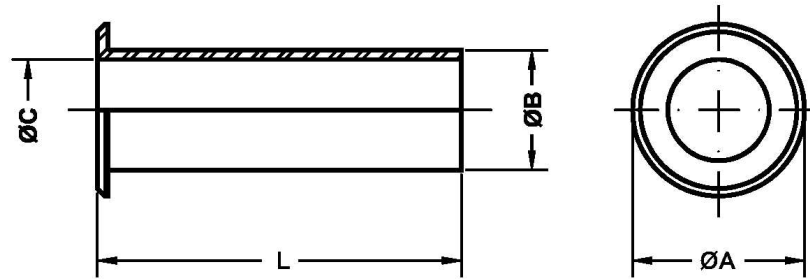
| Contact P/N  | Conn. size | Sleeve to use           | A    | B     |       | F thread        | L    | V thread  |
|--------------|------------|-------------------------|------|-------|-------|-----------------|------|-----------|
|              |            |                         |      | min.  | Max.  |                 |      |           |
| CM3057 - 3C  | 8          | CM3420 - 3A             | 20.0 | 0.68  | 5.56  | 0.5000 - 28UNEF | 33.2 | 6 - 32 NC |
| CM3057 - 4C  | 10         | CM3420 - 4A             | 22.6 | 2.38  | 7.93  | 0.6250 - 24UNEF | 32.3 | 6 - 32 NC |
| CM3057 - 6C  | 12         | CM3420 - 4A / 6A        | 25.8 | 5.84  | 11.12 | 0.7500 - 20UNEF | 32.3 | 6 - 32 NC |
| CM3057 - 8C  | 14         | CM3420 - 6A / 8A        | 28.1 | 8.00  | 13.84 | 0.8750 - 20UNEF | 32.3 | 6 - 32 NC |
| CM3057 - 10C | 16         | CM3420 - 6A / 10A       | 31.0 | 9.60  | 15.87 | 1.0000 - 20UNEF | 35.3 | 6 - 32 NC |
| CM3057 - 12C | 18         | CM3420 - 8A / 12A       | 37.3 | 11.30 | 19.00 | 1.1875 - 18NEF  | 35.7 | 8 - 32 NC |
| CM3057 - 12C | 20         | CM3420 - 8A / 12A       | 37.3 | 11.30 | 19.00 | 1.1875 - 18NEF  | 35.7 | 8 - 32 NC |
| CM3057 - 16C | 22         | CM3420 - 8A / 12A / 16A | 42.0 | 15.50 | 23.80 | 1.4375 - 18NEF  | 38.5 | 8 - 32 NC |
| CM3057 - 16C | 24         | CM3420 - 8A / 12A / 16A | 42.0 | 15.50 | 23.80 | 1.4375 - 18NEF  | 38.5 | 8 - 32 NC |

Waterproof cable clamp suitable for jacketed cable or wires protected by tubing. Assures watertight integrity of connector.

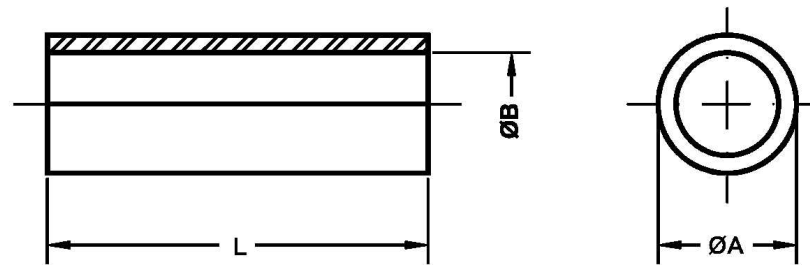


Neoprene sleeve

CM 3420 - XX  
CM 3420 - XXA



| Contact P/N | A<br>±0.1 | B<br>±0.1 | C<br>±0.1 | L<br>±0.1 |
|-------------|-----------|-----------|-----------|-----------|
| CM3420 - 3  | 9.5       | 5.33      | 3.30      | 73.0      |
| CM3420 - 4  | 12.8      | 7.67      | 5.58      | 69.8      |
| CM3420 - 6  | 15.7      | 10.84     | 7.92      | 66.8      |
| CM3420 - 8  | 18.8      | 14.02     | 11.09     | 63.5      |
| CM3420 - 10 | 22.0      | 15.62     | 14.27     | 60.3      |
| CM3420 - 12 | 27.0      | 18.79     | 15.87     | 57.1      |
| CM3420 - 16 | 33.3      | 23.54     | 19.05     | 53.9      |



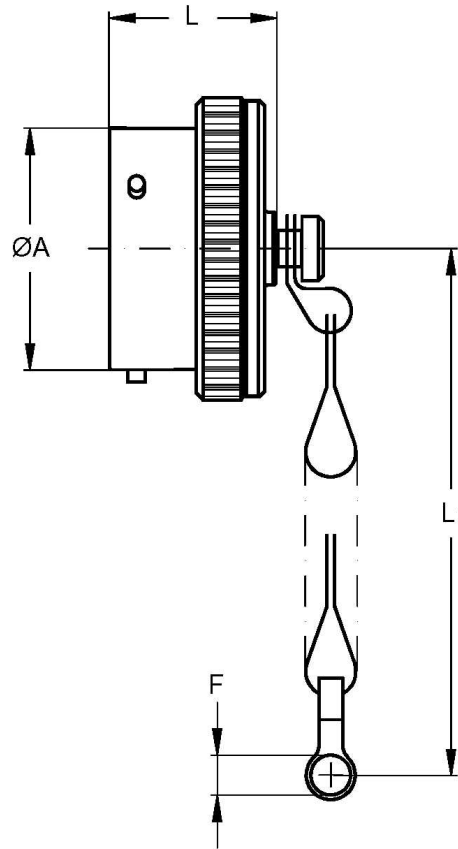
| Contact P/N  | A<br>±0.1 | B<br>±0.1 | L<br>±0.1 |
|--------------|-----------|-----------|-----------|
| CM3420 - 3A  | 5.30      | 2.90      | 50.5      |
| CM3420 - 4A  | 7.63      | 5.56      | 50.5      |
| CM3420 - 6A  | 10.50     | 7.93      | 50.5      |
| CM3420 - 8A  | 13.50     | 11.10     | 50.5      |
| CM3420 - 10A | 15.70     | 11.10     | 50.5      |
| CM3420 - 12A | 18.50     | 13.74     | 50.9      |
| CM3420 - 16A | 23.60     | 19.00     | 50.9      |

CM3420-XX : Neoprene sleeve for protection and reduction , used with class A cable clamps .

CM3420-XXA : Neoprene sleeve for protection and reduction , used with class C cable clamps .

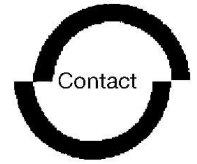
Protective caps for plugs

CPT3180-XXC



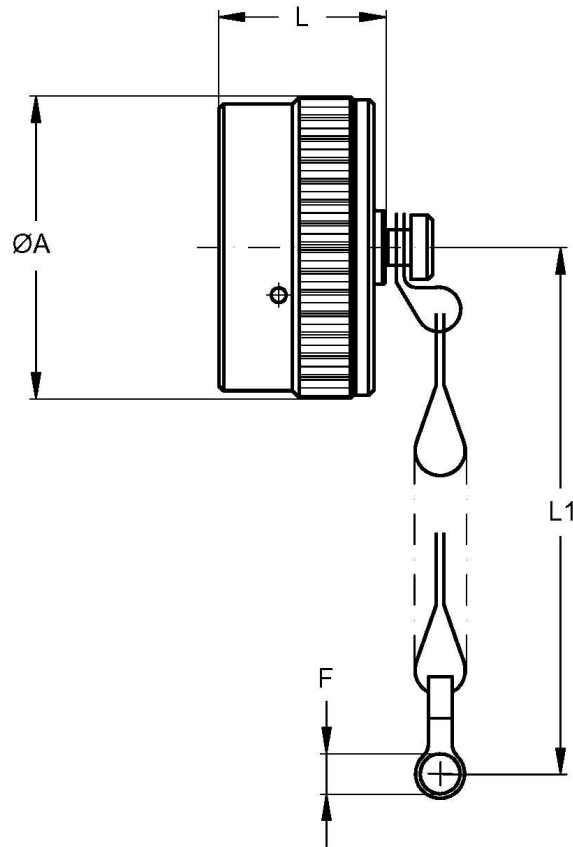
| P/N         | Shell size | A<br>+ 0.02<br>-0.12 | F<br>+ 0.2<br>0 | L<br>+ 0.6<br>-0.4 | L1<br>min. |
|-------------|------------|----------------------|-----------------|--------------------|------------|
| CPT3180- 8C | 8          | 12.01                | 4.3             | 13.5               | 76.2       |
| CPT3180-10C | 10         | 14.98                | 4.3             | 13.5               | 76.2       |
| CPT3180-12C | 12         | 19.05                | 4.3             | 13.5               | 88.9       |
| CPT3180-14C | 14         | 22.22                | 4.3             | 13.5               | 88.9       |
| CPT3180-16C | 16         | 25.40                | 4.3             | 13.5               | 88.9       |
| CPT3180-18C | 18         | 28.57                | 4.3             | 13.5               | 88.9       |
| CPT3180-20C | 20         | 31.75                | 4.3             | 15.1               | 101.6      |
| CPT3180-22C | 22         | 34.92                | 4.3             | 15.1               | 101.6      |
| CPT3180-24C | 24         | 38.10                | 4.3             | 15.9               | 101.6      |

Metal caps and stainless steel chains for plugs.



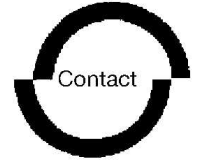
Protective caps for receptacles

CPT3181-XXC



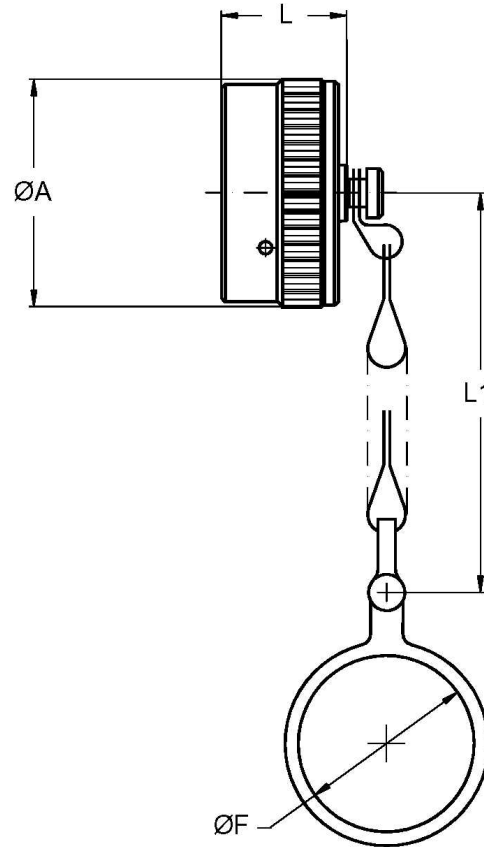
| P/N         | Shell size | A<br>Max. | F<br>+ 0.2<br>-0 | L<br>+ 0.5<br>-0 | L1<br>min. |
|-------------|------------|-----------|------------------|------------------|------------|
| CPT3181- 8C | 8          | 17.95     | 4.3              | 14.50            | 76.2       |
| CPT3181-10C | 10         | 20.70     | 4.3              | 14.50            | 76.2       |
| CPT3181-12C | 12         | 25.40     | 4.3              | 14.50            | 88.9       |
| CPT3181-14C | 14         | 28.65     | 4.3              | 14.50            | 88.9       |
| CPT3181-16C | 16         | 31.90     | 4.3              | 14.50            | 88.9       |
| CPT3181-18C | 18         | 34.70     | 4.3              | 14.50            | 88.9       |
| CPT3181-20C | 20         | 38.00     | 4.3              | 14.50            | 101.6      |
| CPT3181-22C | 22         | 41.25     | 4.3              | 14.50            | 101.6      |
| CPT3181-24C | 24         | 44.40     | 4.3              | 15.55            | 101.6      |

Metal caps and stainless steel chains for receptacles.



Protective caps for receptacles

CPT3181-XXN

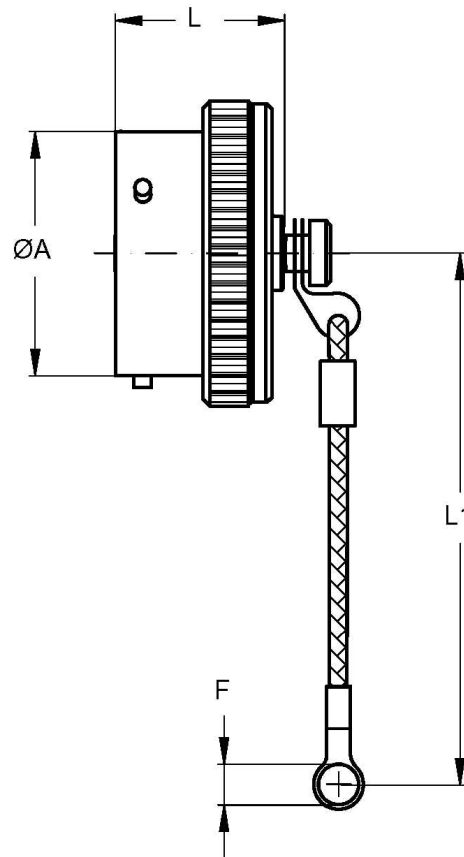


| P/N         | Shell size | A<br>Max. | F<br>+0.2<br>-0.1 | L<br>+0.25<br>-0 | L1<br>±3 |
|-------------|------------|-----------|-------------------|------------------|----------|
| CPT3181- 8N | 8          | 17.95     | 14.70             | 14.50            | 76.2     |
| CPT3181-10N | 10         | 20.70     | 17.85             | 14.50            | 76.2     |
| CPT3181-12N | 12         | 25.40     | 22.65             | 14.50            | 88.9     |
| CPT3181-14N | 14         | 28.65     | 25.80             | 14.50            | 88.9     |
| CPT3181-16N | 16         | 31.90     | 29.00             | 14.50            | 88.9     |
| CPT3181-18N | 18         | 34.70     | 32.15             | 14.50            | 88.9     |
| CPT3181-20N | 20         | 38.00     | 35.35             | 14.50            | 101.6    |
| CPT3181-22N | 22         | 41.25     | 38.50             | 14.50            | 101.6    |
| CPT3181-24N | 24         | 44.40     | 41.00             | 15.55            | 101.6    |

Metal caps and stainless steel chains for receptacles.

Protective caps for plugs

CPT3180-XXCF



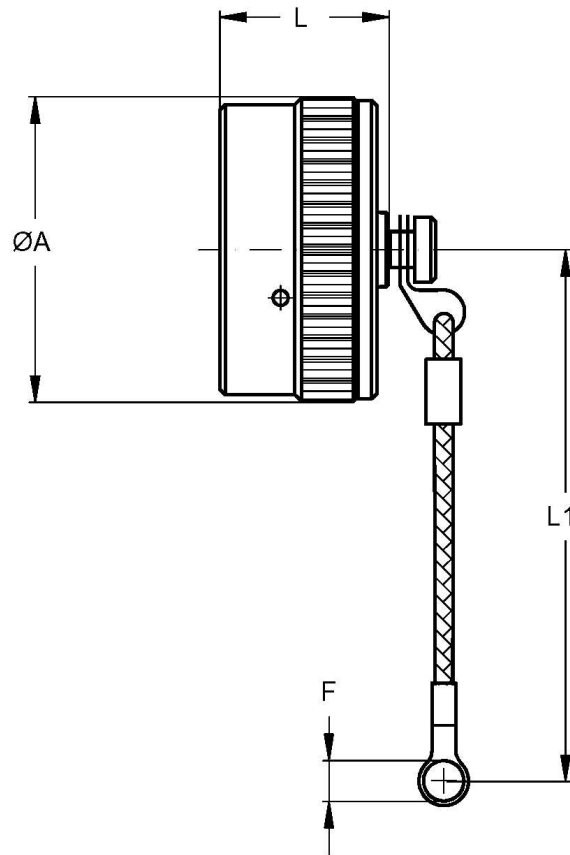
| P/N          | Shell size | A<br>+ 0.02<br>-0.12 | F<br>+ 0.2<br>0 | L<br>+ 0.6<br>-0.4 | L1<br>min. |
|--------------|------------|----------------------|-----------------|--------------------|------------|
| CPT3180- 8CF | 8          | 12.01                | 4.3             | 13.5               | 76.2       |
| CPT3180-10CF | 10         | 14.98                | 4.3             | 13.5               | 76.2       |
| CPT3180-12CF | 12         | 19.05                | 4.3             | 13.5               | 88.9       |
| CPT3180-14CF | 14         | 22.22                | 4.3             | 13.5               | 88.9       |
| CPT3180-16CF | 16         | 25.40                | 4.3             | 13.5               | 88.9       |
| CPT3180-18CF | 18         | 28.57                | 4.3             | 13.5               | 88.9       |
| CPT3180-20CF | 20         | 31.75                | 4.3             | 15.1               | 101.6      |
| CPT3180-22CF | 22         | 34.92                | 4.3             | 15.1               | 101.6      |
| CPT3180-24CF | 24         | 38.10                | 4.3             | 15.9               | 101.6      |

Metal caps and nylon cord for plugs.



Protective caps for receptacles

CPT3181-XXCF



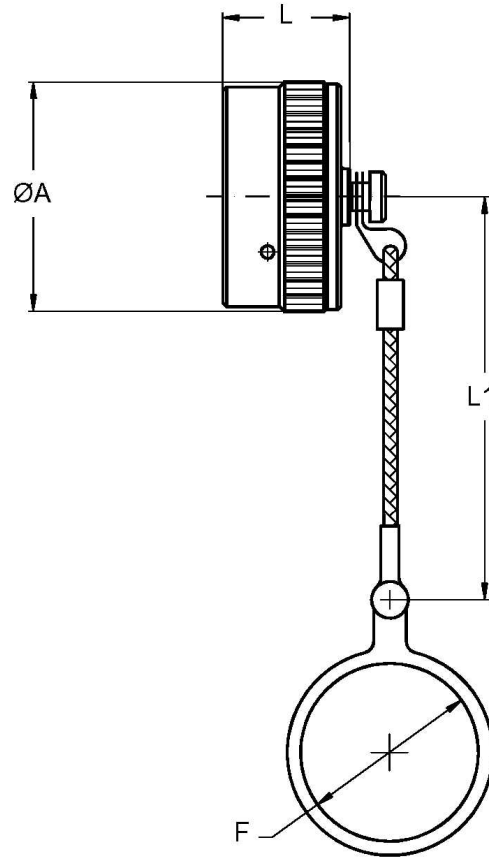
| P/N          | Shell size | A<br>Max. | F<br>+ 0.2<br>-0 | L<br>+ 0.5<br>-0 | L1<br>min. |
|--------------|------------|-----------|------------------|------------------|------------|
| CPT3181- 8CF | 8          | 17.95     | 4.3              | 14.50            | 76.2       |
| CPT3181-10CF | 10         | 20.70     | 4.3              | 14.50            | 76.2       |
| CPT3181-12CF | 12         | 25.40     | 4.3              | 14.50            | 88.9       |
| CPT3181-14CF | 14         | 28.65     | 4.3              | 14.50            | 88.9       |
| CPT3181-16CF | 16         | 31.90     | 4.3              | 14.50            | 88.9       |
| CPT3181-18CF | 18         | 34.70     | 4.3              | 14.50            | 88.9       |
| CPT3181-20CF | 20         | 38.00     | 4.3              | 14.50            | 101.6      |
| CPT3181-22CF | 22         | 41.25     | 4.3              | 14.50            | 101.6      |
| CPT3181-24CF | 24         | 44.40     | 4.3              | 15.55            | 101.6      |

Metal caps and nylon cord for flange mounting receptacles.



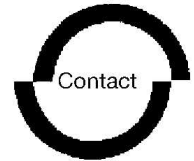
Protective caps for receptacles

CPT3181-XXNF



| P/N          | Shell size | A<br>Max. | F<br>+ 0.2<br>-0.1 | L<br>+ 0.25<br>-0 | L1<br>± 3 |
|--------------|------------|-----------|--------------------|-------------------|-----------|
| CPT3181- 8NF | 8          | 17.95     | 14.70              | 14.50             | 76.2      |
| CPT3181-10NF | 10         | 20.70     | 17.85              | 14.50             | 76.2      |
| CPT3181-12NF | 12         | 25.40     | 22.65              | 14.50             | 88.9      |
| CPT3181-14NF | 14         | 28.65     | 25.80              | 14.50             | 88.9      |
| CPT3181-16NF | 16         | 31.90     | 29.00              | 14.50             | 88.9      |
| CPT3181-18NF | 18         | 34.70     | 32.15              | 14.50             | 88.9      |
| CPT3181-20NF | 20         | 38.00     | 35.35              | 14.50             | 101.6     |
| CPT3181-22NF | 22         | 41.25     | 38.50              | 14.50             | 101.6     |
| CPT3181-24NF | 24         | 44.40     | 41.00              | 15.55             | 101.6     |

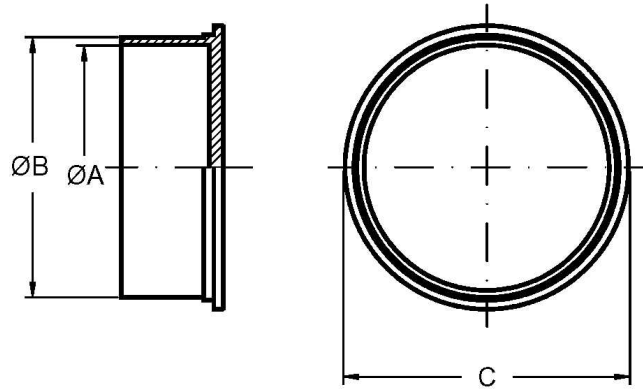
Metal caps and nylon cord for single hole mounting receptacles.



**Protective plastic caps**

**CM 90376-XX R**

**CM 90376-XX Y**



| P/N          | Shell size    | A<br>±0.25 | B<br>±0.25 | C<br>±0.78 |
|--------------|---------------|------------|------------|------------|
| CM 90376- 8R | Receptacle 8  | 12.19      | 13.71      | 18.79      |
| CM 90376-10R | Receptacle 10 | 15.36      | 16.89      | 21.33      |
| CM 90376-14Y | Receptacle 12 | 18.28      | 19.68      | 24.63      |
| CM 90376-16Y | Receptacle 14 | 21.59      | 22.98      | 28.57      |
| CM 90376-18Y | Receptacle 16 | 24.71      | 26.28      | 30.98      |
| CM 90376-20Y | Peceptacle 18 | 27.76      | 29.33      | 33.78      |
| CM 90376-22Y | Peceptacle 20 | 31.26      | 33.04      | 37.21      |
| CM 90376-24Y | Receptacle 22 | 34.03      | 35.81      | 40.38      |
| CM 90376-24R | Receptacle 24 | 37.16      | 38.93      | 43.18      |

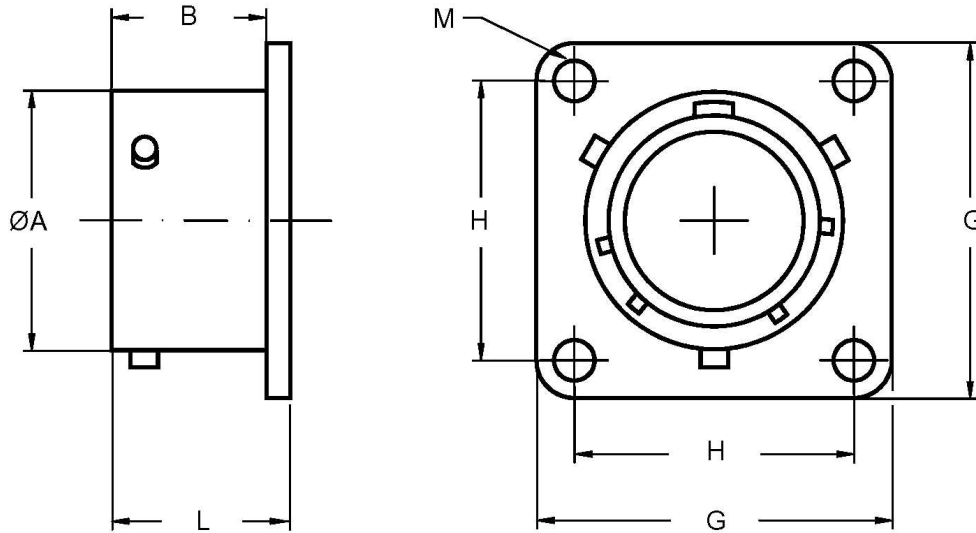
| P/N          | Shell size | A<br>±0.25 | B<br>±0.25 | C<br>±0.78 |
|--------------|------------|------------|------------|------------|
| CM 90376- 8Y | Plug 8     | 10.49      | 12.26      | 17.01      |
| CM 90376- 8R | Plug 10    | 13.46      | 15.11      | 19.05      |
| CM 90376-12Y | Plug 12    | 16.63      | 18.16      | 21.84      |
| CM 90376-12R | Plug 14    | 19.93      | 21.46      | 26.18      |
| CM 90376-16Y | Plug 16    | 22.68      | 24.46      | 28.57      |
| CM 90376-16R | Plug 18    | 26.11      | 27.63      | 31.75      |
| CM 90376-18R | Plug 20    | 29.21      | 30.86      | 35.71      |
| CM 90376-20R | Plug 22    | 32.25      | 34.03      | 38.10      |
| CM 90376-22R | Plug 24    | 35.30      | 37.08      | 41.65      |

Plastic caps for protection against dust and limited damage .

**Dummy receptacle**

**CPT3115-XX**

**CPT3115A-XX**



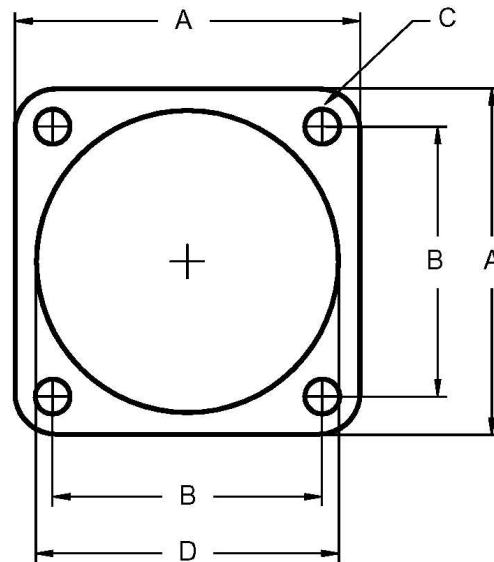
| Shell size | A<br>+0.02<br>-0.12 | B<br>+0.25<br>-0 | G<br>$\pm 0.4$ | H<br>$\pm 0.1$ | L<br>+0.6<br>-0.25 | M<br>$\pm 0.12$ |
|------------|---------------------|------------------|----------------|----------------|--------------------|-----------------|
| 8          | 12.01               | 10.95            | 20.6           | 15.10          | 12.5               | 3.04            |
| 10         | 14.98               | 10.95            | 23.8           | 18.25          | 12.5               | 3.04            |
| 12         | 19.05               | 10.95            | 26.2           | 20.60          | 12.5               | 3.04            |
| 14         | 22.22               | 10.95            | 28.6           | 23.00          | 12.5               | 3.04            |
| 16         | 25.40               | 10.95            | 31.0           | 24.60          | 12.5               | 3.04            |
| 18         | 28.57               | 10.95            | 33.3           | 27.00          | 12.5               | 3.04            |
| 20         | 31.75               | 14.10            | 36.5           | 29.35          | 16.5               | 3.04            |
| 22         | 34.92               | 14.10            | 39.7           | 31.75          | 16.5               | 3.04            |
| 24         | 38.10               | 15.00            | 42.9           | 39.40          | 17.3               | 3.73            |

CPT3115-XX : Dummy receptacle with rear base and seal . Conforms to MIL-C-26482 .

CPT3115A-XX : Dummy receptacle without rear base and seal .

**Flange mounting gasket**

**CPT 10-101949-XX**

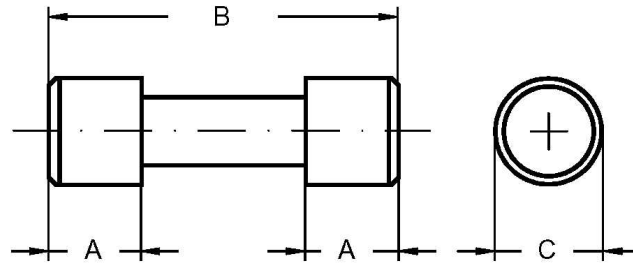


| P/N              | Shell size | A<br>± 0.5 | B<br>± 1 | C<br>± 0.7 | D<br>± 0.5 |
|------------------|------------|------------|----------|------------|------------|
| CPT 10-101949- 8 | 8          | 20.6       | 15.10    | 3.3        | 12.7       |
| CPT 10-101949-10 | 10         | 23.8       | 18.25    | 3.3        | 15.9       |
| CPT 10-101949-12 | 12         | 26.2       | 20.60    | 3.3        | 19.1       |
| CPT 10-101949-14 | 14         | 28.6       | 23.00    | 3.3        | 22.3       |
| CPT 10-101949-16 | 16         | 31.0       | 24.60    | 3.3        | 25.5       |
| CPT 10-101949-18 | 18         | 33.3       | 27.00    | 3.3        | 28.6       |
| CPT 10-101949-20 | 20         | 36.5       | 29.35    | 3.3        | 31.8       |
| CPT 10-101949-22 | 22         | 39.7       | 31.75    | 3.3        | 35.0       |
| CPT 10-101949-24 | 24         | 42.9       | 34.90    | 4.0        | 38.2       |

Flange mounting neoprene gasket for box mounting receptacles. Shielded versions are available upon request.

**Grommet sealing plugs**

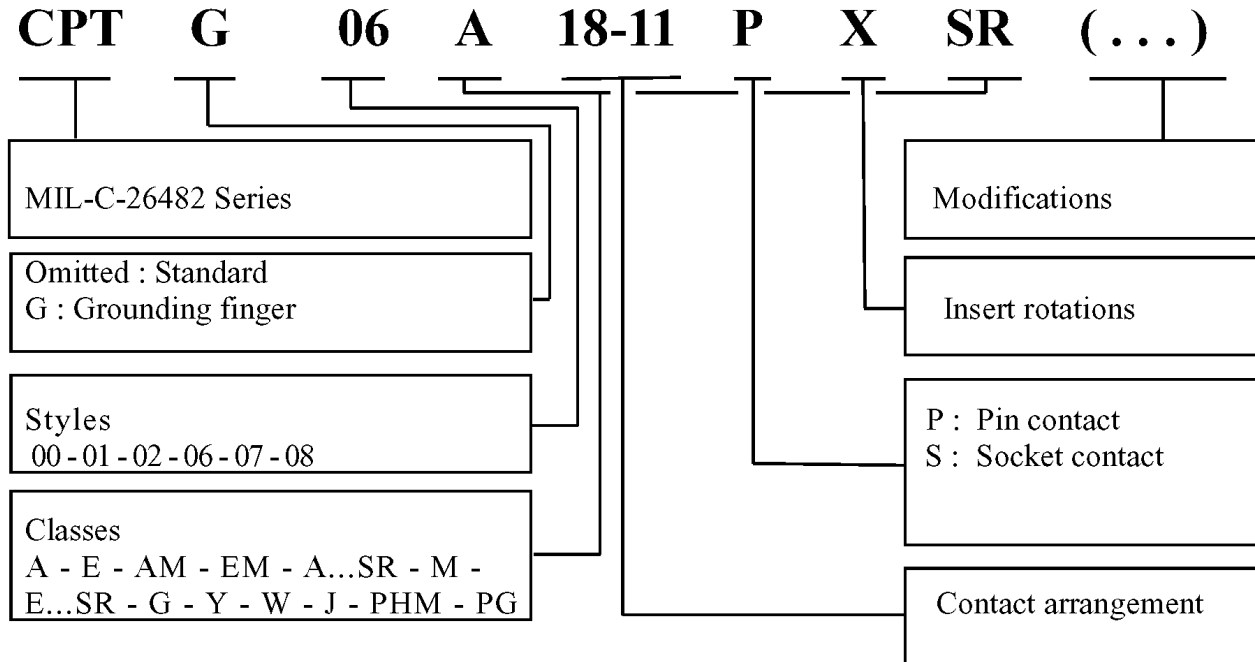
**CPT 10-101033**



| P/N              | Hole size | A<br>±0.13 | B<br>±0.25 | C<br>±0.13 | Colour |
|------------------|-----------|------------|------------|------------|--------|
| CPT 10-101033-11 | 20        | 2.92       | 9.53       | 2.92       | Red    |
| CPT 10-101033-12 | 16        | 3.17       | 11.91      | 3.68       | Blue   |

Plastic grommet sealing plugs for use in empty grommet thru holes.

**How to order**



**Modifications**

**Contacts**

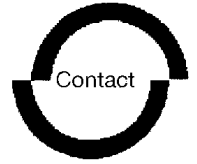
Omitted for standard version ( solder contacts )  
C Connector with crimp contacts

**Shells**

Omitted for standard version  
N Connector with nickel plating  
P Connector with cationic electro deposition plating  
G Connector with Cadmium free plating

**Assembly with accessories**

Omitted for standard version (...)  
N0 Connector less backshell  
NXXX = Suffix to identify a custom designed connector



**Notes**



**Notes**