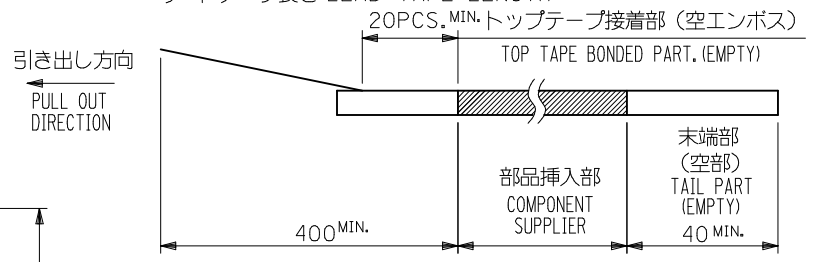
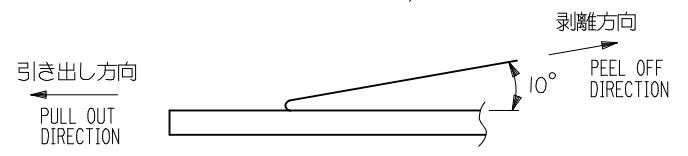


NOTES

- 製品詳細寸法については図面 SD-53794-001 を参照下さい。  
RE DETAILED DIMENSION, SEE SD-53794-001
- 梱包数量：3000個/リール  
NUMBER OF CONNECTORS : 3000PCS/REEL
- リードテープ長さ LEAD TAPE LENGTH

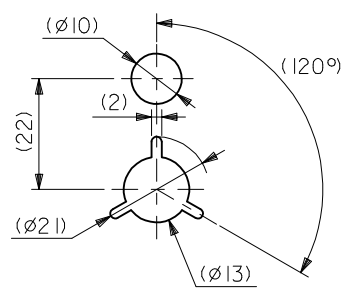
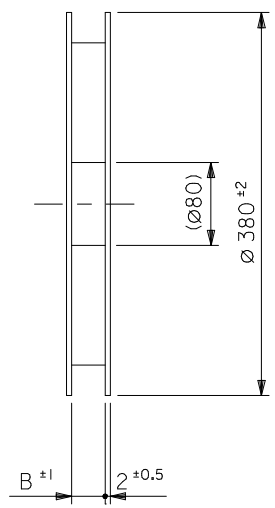
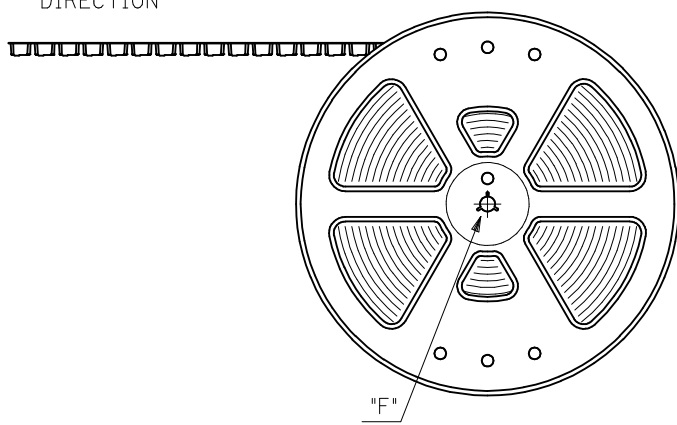


- トップテープの剥離強度：0.1N ~ 0.7N(10.2gf ~ 71.4gf)  
(剥離方向は下図参照)  
尚、本規格値は出荷時に適用。(但し、輸送時に剥離が発生しないこと。)  
PEELING OFF FORCE OF TOP TAPE : 0.1N ~ 0.7N(10.2gf ~ 71.4gf)  
(PEELING DIRECTION AS SHOWN IN FOLLOWING FIG.)  
THIS REQUIREMENT SHOULD BE APPLIED AT SHIPMENT.  
PEEL OFF SHOULD NOT BE ALLOWED , DURING TRANSPORTATION.



- 材料 (MATERIAL)  
キャリアテープ (CARRIER TAPE) : ポリプロピレン (POLYPROPYLENE)  
トップテープ (TOPTAPE) : PET , PE , PEF  
リール (REEL) : ポリスチレン (P.S) <リサイクル材を含む>  
POLYSTYREN(PS) <RECYCLE MATERIAL CONTAINED>

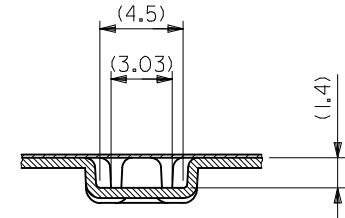
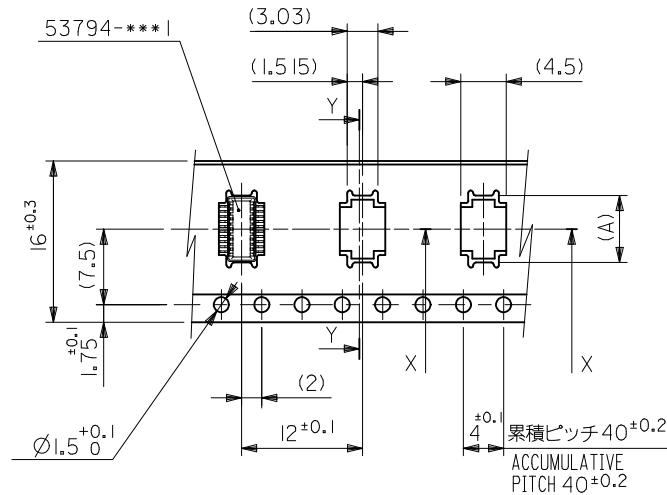
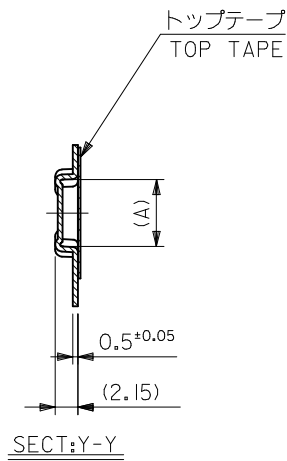
引き出し方向  
PULL OUT  
DIRECTION



DETAIL "F"

REVISED EC NO: J2008-4454 DRWN:NAKURAA 2008/07/23 CHKD:T. HARUYAMA 2008/07/23 APPR:NUKITA 2008/09/26	GENERAL TOLERANCES (UNLESS SPECIFIED)		DIMENSION STYLE MM ONLY	SCALE ---	DESIGN UNITS METRIC	THIRD ANGLE PROJECTION
	10 UNDER	±0.2	DRAWN BY T. YASUI	DATE '96/5/28	TITLE 0.5 BTB CONN PLUG HGT=1.5 EMBSTP PKG	
	10 OVER 30 UNDER	±0.25	CHECKED BY T. ITO	DATE '00/12/6	MOLEX INCORPORATED	
	30 OVER	±0.3	APPROVED BY M. FUKUSHIMA	DATE '00/12/6	DOCUMENT NO. SD-53794-002	SHEET NO. 1 OF 3
	ANGULAR ±3 °		MATERIAL NO. SEE TABLE	THIS DRAWING CONTAINS INFORMATION THAT IS PROPRIETARY TO MOLEX INCORPORATED AND SHOULD NOT BE USED WITHOUT WRITTEN PERMISSION		
	DRAFT WHERE APPLICABLE MUST REMAIN WITHIN DIMENSIONS		SIZE A3			

引き出し方向  
PULL OUT DIRECTION

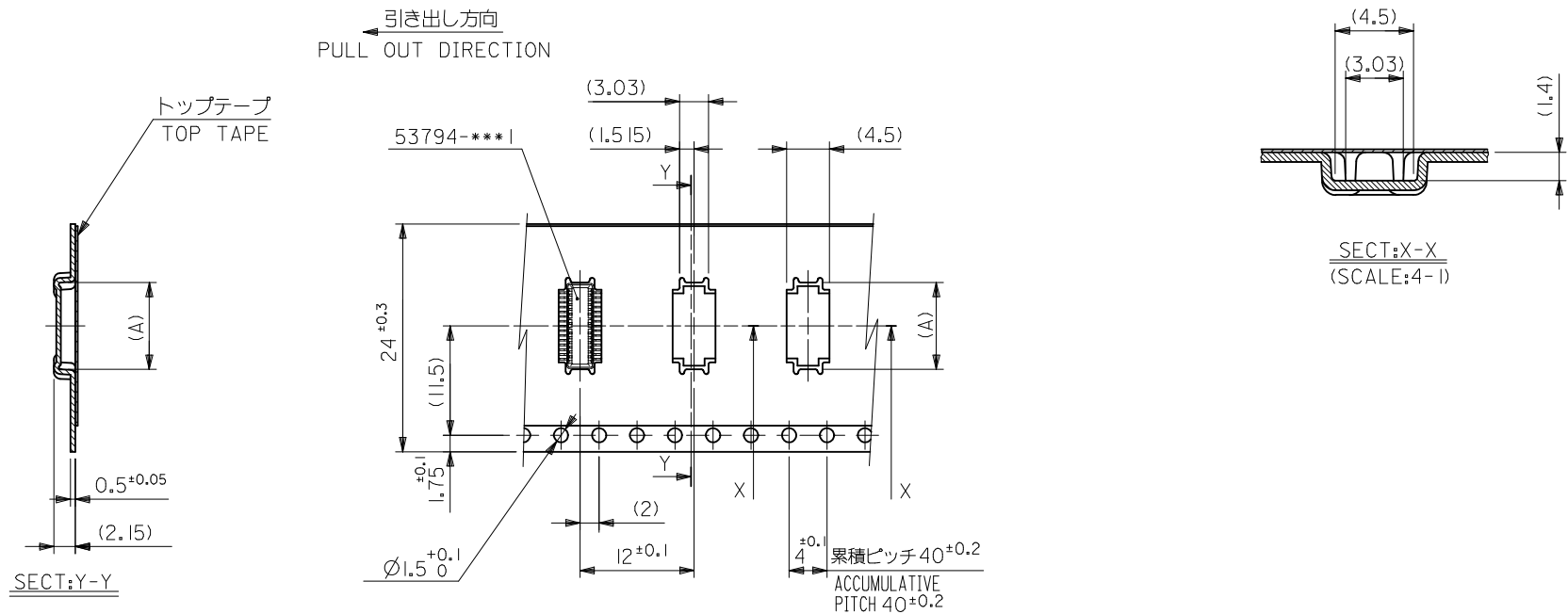


SECT:X-X  
(SCALE:4-1)

16mm幅キャリアテープ  
16mm WIDTH CARRIER TAPE

16	17.5	6.65	53794-0208	20
キャリアテープ幅 CARRIER TAPE WIDTH	B	(A)	MATERIAL NO.	種数 CKT.
			MODEL NO.	53794-***8

REVISED EC NO: J2008-4454 DRWN:NAKURAA 2008/07/23 CHKD:T. HARUYAMA 2008/07/23 APPR:NUKITA 2008/09/26	GENERAL TOLERANCES (UNLESS SPECIFIED)		DIMENSION STYLE MM ONLY	SCALE ---	DESIGN UNITS METRIC	THIRD ANGLE PROJECTION
	10 UNDER	± ---	DRAWN BY T. YASUI	DATE '96/5/28	TITLE 0.5 BTB CONN PLUG HGT=1.5 EMBSTP PKG	
	10 OVER 30 UNDER	± ---	CHECKED BY T. ITO	DATE '00/12/6	APPROVED BY M. FUKUSHIMA	
	30 OVER	± ---	DATE '00/12/6	DATE '00/12/6	MATERIAL NO. SEE TABLE	
ANGULAR	± --- °	DRAFT WHERE APPLICABLE MUST REMAIN WITHIN DIMENSIONS		DOCUMENT NO. SD-53794-002		SHEET NO. 2 OF 3
SIZE A3	THIS DRAWING CONTAINS INFORMATION THAT IS PROPRIETARY TO MOLEX INCORPORATED AND SHOULD NOT BE USED WITHOUT WRITTEN PERMISSION					



24mm幅キャリアテープ  
24mm WIDTH CARRIER TAPE

24	25.5	14.15	53794-0508	50
		11.65	53794-0408	40
キャリアテープ幅 CARRIER TAPE WIDTH	B	(A)	MATERIAL NO.	種数 CKT.
			MODEL NO.	53794-***8

REVISED EC NO: J2008-4454 DRWN:NAKAMURA 2008/07/23 CHKD:T. HARUYAMA 2008/07/23 APPR:NUKITA 2008/09/26	DESCRIPTION	GENERAL TOLERANCES (UNLESS SPECIFIED)	DIMENSION STYLE MM ONLY	SCALE ---	DESIGN UNITS METRIC	THIRD ANGLE PROJECTION
	REV	10 UNDER	± ---	DRAWN BY T. YASUI	DATE '96/5/28	TITLE 0.5 BTB CONN PLUG HGT=1.5 EMBSTP PKG
		10 OVER 30 UNDER	± ---	CHECKED BY T. ITO	DATE '00/12/6	MOLEX INCORPORATED DOCUMENT NO. SD-53794-002 SHEET NO. 3 OF 3
		30 OVER	± ---	APPROVED BY M. FUKUSHIMA	DATE '00/12/6	
		ANGULAR ± --- °	MATERIAL NO.	SEE TABLE		
		DRAFT WHERE APPLICABLE MUST REMAIN WITHIN DIMENSIONS	SIZE A3	THIS DRAWING CONTAINS INFORMATION THAT IS PROPRIETARY TO MOLEX INCORPORATED AND SHOULD NOT BE USED WITHOUT WRITTEN PERMISSION		