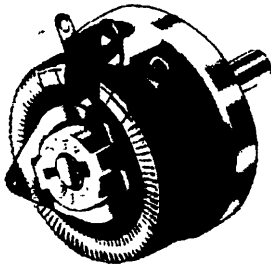




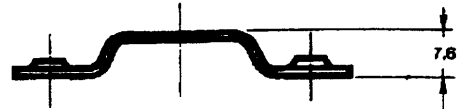
RT25 RTE25

wirewound rheostat / potentiometer

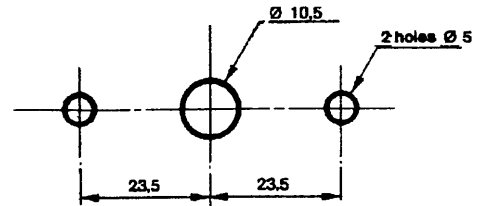
25 W at 25°C
18 W at 25°C
CCTU 05-03B (PA1)



ADAPTATION BOARD

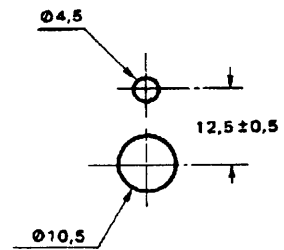
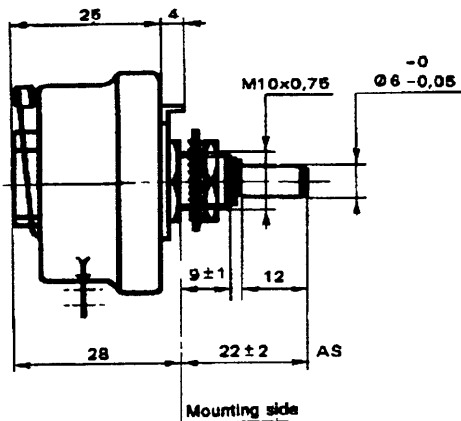
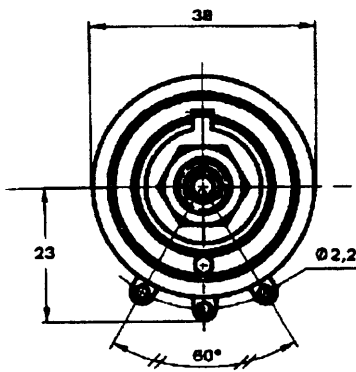


PANEL CUT OUT DETAILS



RT25-PA1

PANEL CUT OUT DETAILS



Dimensions in mm

SPECIFICATIONS

MECHANICAL

MECHANICAL PROTECTION... RT25 vitreous
RTE25 lacquered
MECHANICAL TRAVEL... 300° ± 5°
OPERATING TORQUE... 1 to 10 Ncm
END STOP TORQUE... 50 Ncm
UNIT WEIGHT... 80 g

ENVIRONMENTAL

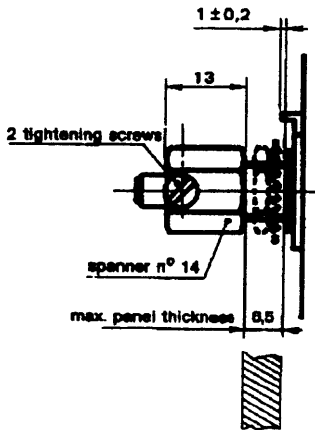
TEMPERATURE RANGE... RT25 -55°C +320°C
RTE25 -55°C +220°C
CLIMATIC CATEGORY... CCTU 454
CEI 55 / 200 / 56

ELECTRICAL

OHMIC RANGE... RT25 1 Ω - 4.7 kΩ
RTE25 > 5 kΩ - 13.5 kΩ
TOLERANCE standard... ±10%
POWER RATING... RT25 25 W at 25°C
RTE25 18 W at 25°C
VARIATION LAW standard... linear
on request... sectorial winding
DIELECTRIC STRENGTH... 1000 V RMS
INSULATION RESISTANCE... 10⁹ MΩ (500 V CC)

LOCKING DEVICE

This is supplied as an option.
The available spindle length is according to the panel thickness.



ADAPTATION BOARD

This enables 2 points mounting instead of bush mounting. The adaptation board is supplied as an option with 2 mounting screws. Consequently, the available spindle length is reduced by 9,5 mm.

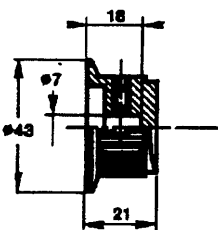
SPINDLES

Table 1

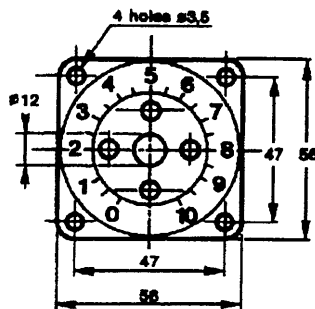
Ø mm	Distance to mounting plate mm	Screw driver slot	Code
6	22	with	ASF
	25	without	AM
		with	AMF
6	50	without	AL
	22	without	AS

For any special requirement on request : spindle flats, etc., please supply detailed drawing.

COMMAND SHAFTS
29JF (option)



DIAL:
CG57 (option)



PARTICULAR CHARACTERISTICS

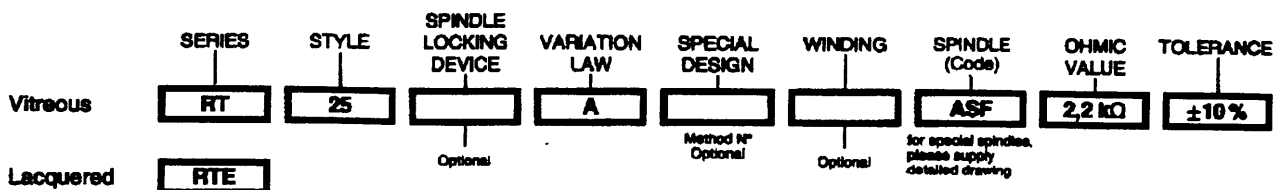
Table 2

Nominal Resistance Ω	Max. service voltage V	Max. current through wiper mA
1	5	5000
1,5	6,12	4080
2,2	7,42	3370
3,3	9,08	2750
4,7	10,8	2300
6,8	13	1920
10	15,8	1580
15	19,4	1290
22	23,5	1070
33	28,7	870
47	34,3	730
68	41,2	605
100	50	500
150	61,2	408
220	74,2	337
330	90,8	275
470	108	230
680	130	192
1k	158	158
1,5k	194	129
2,2k	235	107
3,3k	287	87
4,7k	343	73

MARKING

- SFERNICE trademark
- series
- style
- power rating in watts
- ohmic value in Ω or kΩ
- tolerance in %
- maximum current in A
- manufacturing date

ORDERING PROCEDURE



OPTIONS



VISHAY S.A.
International Department
199, Boulevard de la Madeleine
B.P. 1158
F 06003 NICE CEDEX 1
Tel. : (33) 04 93 37 27 27
Fax. : (33) 04 93 37 27 26