



# Product Specification Bulletin

70W

Double Ended Compact

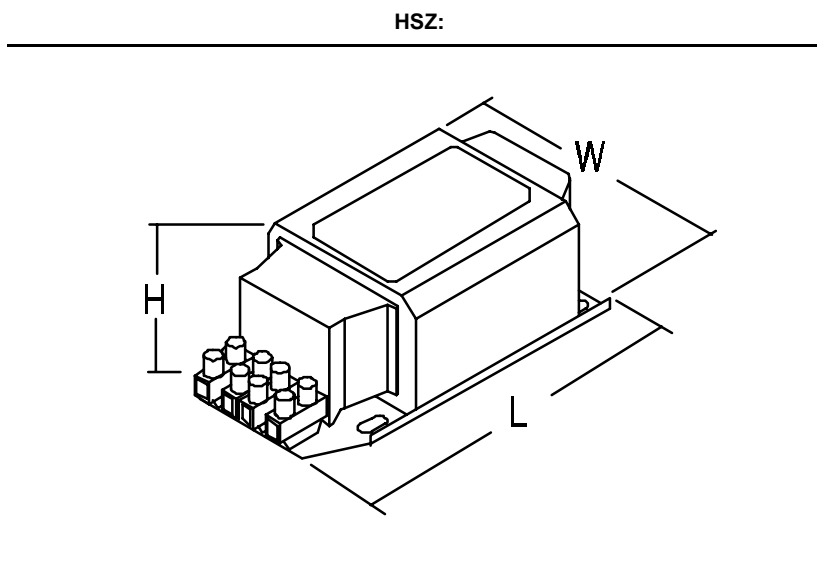
**UNI-FORM**<sup>®</sup>  
PULSE START SYSTEM

50 Hz  
Reactor Ballast

IEC 60922: 1997

**HSZ070245**

Input Volts	240
Line Current ( Amps )	
<i>Operating</i>	0.39
<i>Open Circuit</i>	0.75
<i>Starting</i>	0.78
Regulation	
<i>Line Volts</i>	±6%
<i>Lamp Watts</i>	±10%
Temperature Ratings	
<i>tw (°C)</i>	140
<i>Dt (°C)</i>	60
<i>ta (°C)</i>	-
Input Watts	85 W
NOM. Open Circuit Voltage	240
Power Factor	0.90
Current Crest Factor	< 1.6
MIN. Ambient Starting Temp.	-40°C
Recommended Fuse (Amps)	4
Dimensions	
<i>Length (mm)</i>	118
<i>Width (mm)</i>	66
<i>Height (mm)</i>	46
<i>Weight (kg)</i>	1.5
<i>Fixing Centers</i>	52 x 75-86
CAPACITOR Specifications	
<i>Microfarads</i>	10.0 uf
<i>Volts (min.)</i>	250 V



Capacitor:	Ignitor:
<p>Plastic Dry Film Capacitor</p> <p><b>KPC102255</b></p>	<p><b>PXE100255</b></p>
Temp Rating: -25°C /+85°C	Max Case Temp 105 °C
Height (mm) 76	Internal Temp 15 °C
Dia/Oval Dim (mm) 30	Max Capacitance 100 PF.

Revision: 08-Dec-00 YC95-1

**Ballasts**  
Data is based upon tests performed by Venture Lighting in a controlled environment and is representative of relative performance. Actual performance can vary depending on operating conditions. Specifications are subject to change without notice.

