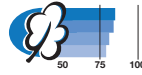
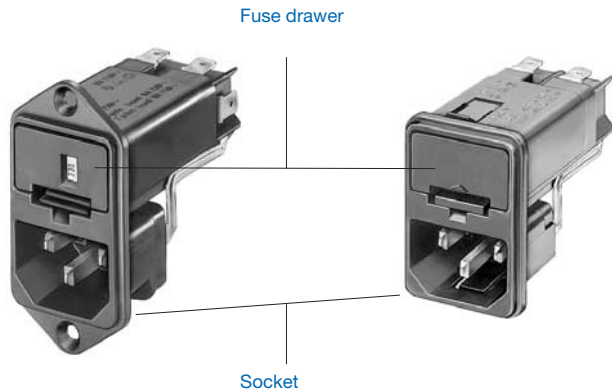



Power entry module Type KEC

- Panel mount: screw-on version, front or rear-side / snap-in version, front-side
- 3 functions: appliance inlet, fuseholder with interchangeable fuse drawer for 5 x 20 or 6,3 x 32 mm fuses, with or without voltage selector (step switch)
- Version with line filter/shield see page 110


Characteristics

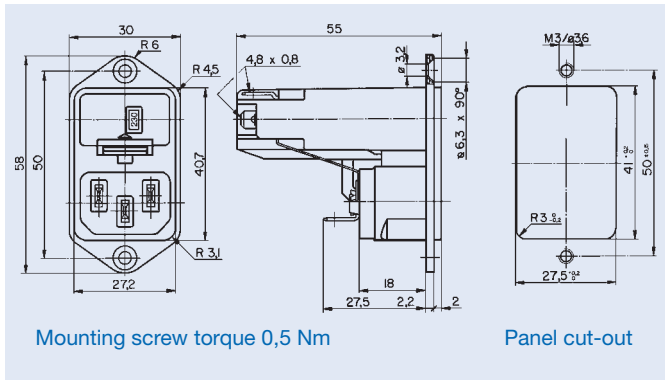
- Versions available with or without internal connections
- The fuse drawer “Fingerrip” can be removed by hand
- For added safety “Extra-Safe” fuse drawers are available
Extra-safe fuse drawers satisfy international standards for medical equipment. The drawer can only be removed with the aid of a tool
- The fuseholder is accessible from the equipment front
- Qualified for use in equipment according to IEC/EN 60950

Technical data

Rated voltage	250 VAC
Rated currents	10 A; VDE, SEV, Semko 13 A; UL 16 A; CSA 1-pole 10 A; CSA 2-pole
Dielectric strength (50 Hz, 1 Min.)	> 3 kV between L-N > 4 kV between L/N-PE
Allowable ambient air temperatures T _a	–25 °C to + 70 °C
Degree of protection (front side)	IP40 acc. to IEC 60529
Protection class	suitable for equipment with prot. cl. I, acc. to IEC 61140
Terminals	quick-connect 4,8 x 0,8 mm/tin-plated
Panel thickness s	screw-on: max. 8 mm snap-in: 1,5/2/2,5 mm
Materials: Housing	Thermoplastic, black, UL94 V-0
Appliance-inlet	 acc. to IEC/EN 60320-1/C14, protection class I, pin-temperature 70 °C (cold condition)
Fuseholder	1- or 2-pole, shocksafe category PC2 acc. to IEC/EN 60127-6, for fuse-links 5 x 20 or 6,3 x 32 mm
Rated power acceptance at ambient air temp. T _a 23 °C	5 x 20: 2,5 W (1-pole)/2 W (2-pole) per p. 6,3 x 32: 3,15 W (1-pole)/2,5 W (2-pole) per pole
Admissible power acceptance at higher T _a	see derating curves. Take note of the information on page 195
Voltage selector	optional, step switch, 2–4 positions

Dimensions

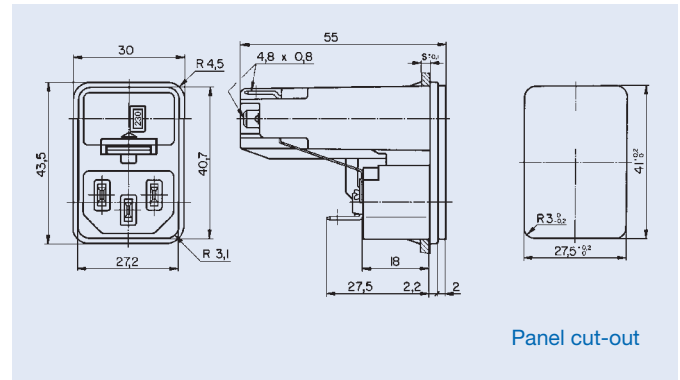
Screw-on mounting



Mounting screw torque 0,5 Nm

Panel cut-out

Snap-in mounting

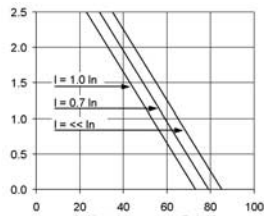


Panel cut-out

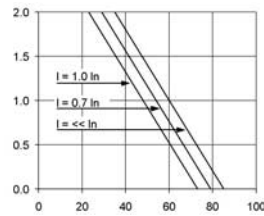
Derating curves for fuseholder

Admissible power acceptance in Watt /

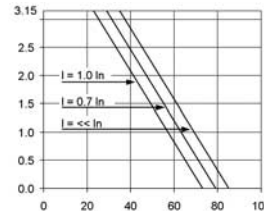
Fuses 5 x 20 mm
1-pole



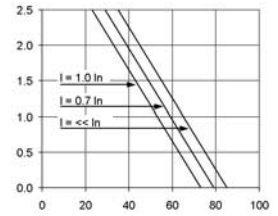
2-pole
(per pole)



Fuses 6,3 x 32 mm
1-pole



2-pole
(per pole)



Ambient air temperature T_a °C

Diagramme

	without internal connections voltage selector 4 positions	with internal connections voltage selector 4 positions	Voltage selector 3 positions	Voltage selector 2 positions	without voltage selector
1-pole					
2-pole					

Order Numbers for socket

Fuse drawer must be ordered separately

Fuseholder		Voltage selector				internal connections		Screw	Snap-in, panel thickness s		
1-pole	2-pole	without	2 digit	3 digit	4 digit	with	without		1,5 mm	2,0 mm	2,5 mm
4303.0031	4303.0001	•				•		•			
4303.0032	4303.0002	•				•			•		
4303.0033	4303.0003	•				•				•	
4303.0034	4303.0004	•				•					•
4303.0211	4303.0181		•			•		•			
4303.0212	4303.0182		•			•			•		
4303.0213	4303.0183		•			•				•	
4303.0214	4303.0184		•			•					•
4303.0091	4303.0061			•	•	•		•			
4303.0092	4303.0062			•	•	•			•		
4303.0093	4303.0063			•	•	•				•	
4303.0094	4303.0064			•	•	•					•
4303.1031	4303.1001	•					•	•			
4303.1032	4303.1002	•					•		•		
4303.1033	4303.1003	•					•			•	
4303.1034	4303.1004	•					•				•
4303.1091	4303.1061			•	•		•	•			
4303.1092	4303.1062			•	•		•		•		
4303.1093	4303.1063			•	•		•			•	
4303.1094	4303.1064			•	•		•				•
4303.1211	4303.1181		•				•	•			
4303.1212	4303.1182		•				•		•		
4303.1213	4303.1183		•				•			•	
4303.1214	4303.1184		•				•				•

Order Numbers for fuse drawer (Fingerrip and Extra-Safe)

(to types KEC, KFC, KD, CD)

Voltage markings Terminal no.	Type	5 x 20 mm		2-pole with shorting bar in the neutral side	6,3 x 32 mm (1/4" x 1/4")		2-pole with shorting bar in the neutral side
		1-pole	2-pole		1-pole	2-pole	
1 2 3 4 KEC 3 4 5 6 KD							
«XX» see table below	Fingerrip	4303.2114.XX	4303.2014.XX	4303.2036.XX	4303.2614.XX	4303.2514.XX	4303.2536.XX
	Extra-Safe	4303.2124.XX	4303.2024.XX	4303.2037.XX	4303.2624.XX	4303.2524.XX	4303.2537.XX
without voltage selector	Fingerrip	4303.2406	4303.2401	4303.2411	4303.2906	4303.2901	4303.2911
	Extra-Safe	4303.2408	4303.2403	4303.2413	4303.2908	4303.2903	4303.2913

Index	Voltage markings / terminal no.				KEC KD
	1	2	3	4	
XX	3	4	5	6	
00	-	-	-	-	
01	100	120	220	240	
02	110	150	220	-	
03	110	-	220	-	
04	110	220	240	-	
05	115	-	230	-	
06	117	220	240	-	
07	100	117	220	-	
08	110 V	-	220 V	-	
09	220	-	240	-	
10	115	220	240	-	
11	110	120	220	240	

Index	Voltage markings / terminal no.				KEC KD
	1	2	3	4	
XX	3	4	5	6	
12	115	230	240	-	
13	100	110	220	240	
14	100	117	220	240	
15	100	115	230	-	
16	100	120	230	240	
17	115	120	230	240	
18	115	-	240	-	
19	220	120	240	230	
20	100	120	230	-	
21	100	-	220	-	
22	100	120	220	230	
23	100	110	120	-	

Other versions on request:

- for protection class II
- Fuse drawer with other voltage values

Accessories see page 171