

**MICRO SWITCH**  
a Honeywell Division

SWITCH - ENCLOSED

CATALOG LISTING  
DTE6-2RN

FED. MFG. CODE 91929

CATALOG LISTING  
DTE6-2RN

ISSUE  
M  
13

REVISIONS	DATE	BY	CHKD
A	00-73751	S A V	8 OCT 92
B	00-73655	S M	21 APR 93
C	00-77179B	K D R	21 FEB 94
D	0016895		

VKR  
18NOV05

CHECK

W L S

21 FEB 94

CHECK

W L S

21 FEB 94

CHECK

W L S

21 FEB 94

CHECK

W L S

21 FEB 94

CHECK

W L S

21 FEB 94

DDM/CAD  
DRAWN

REPLACES

RELEASE NO.

CHECK

BP

CHECK

W L S

21 FEB 94

CHECK

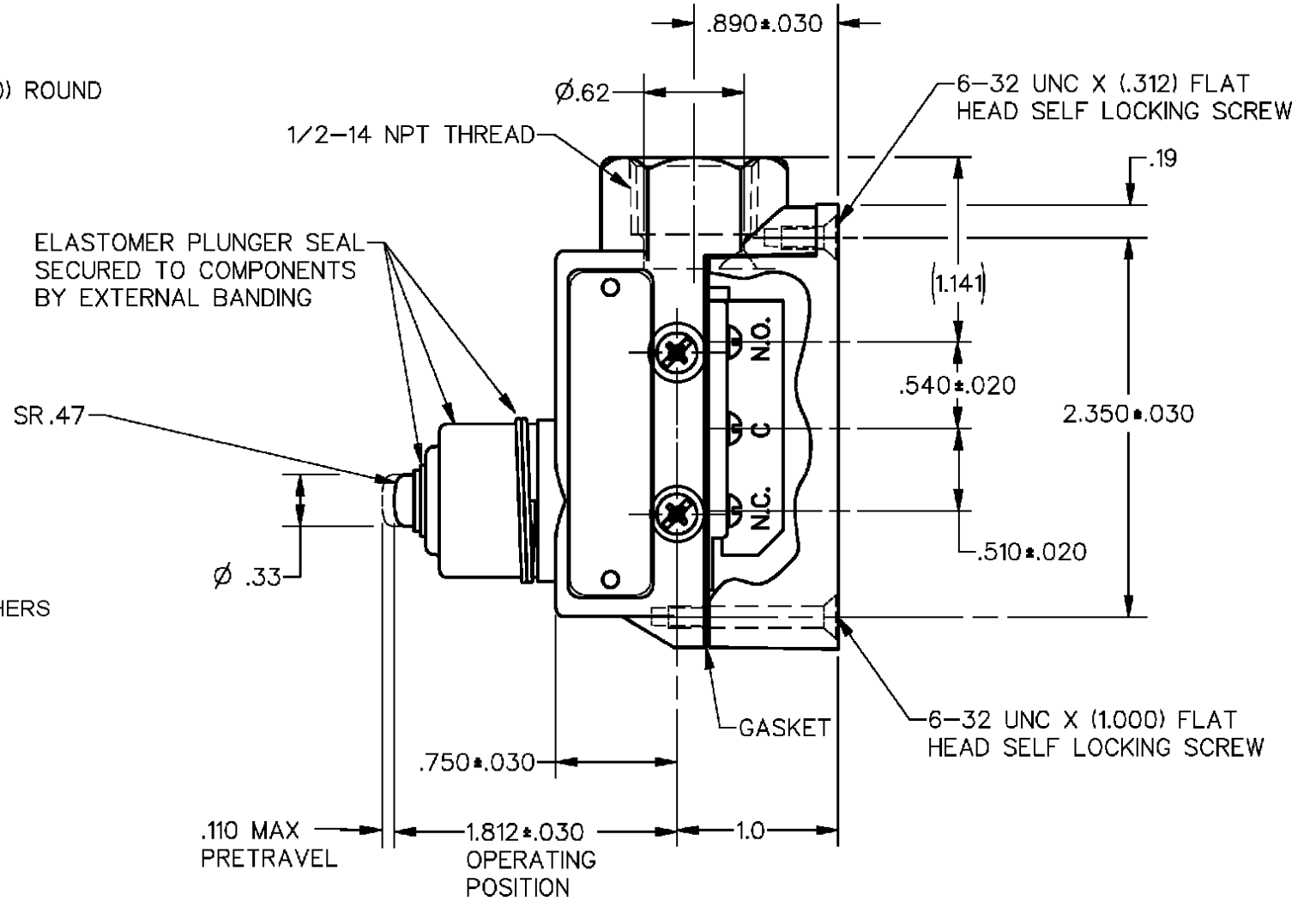
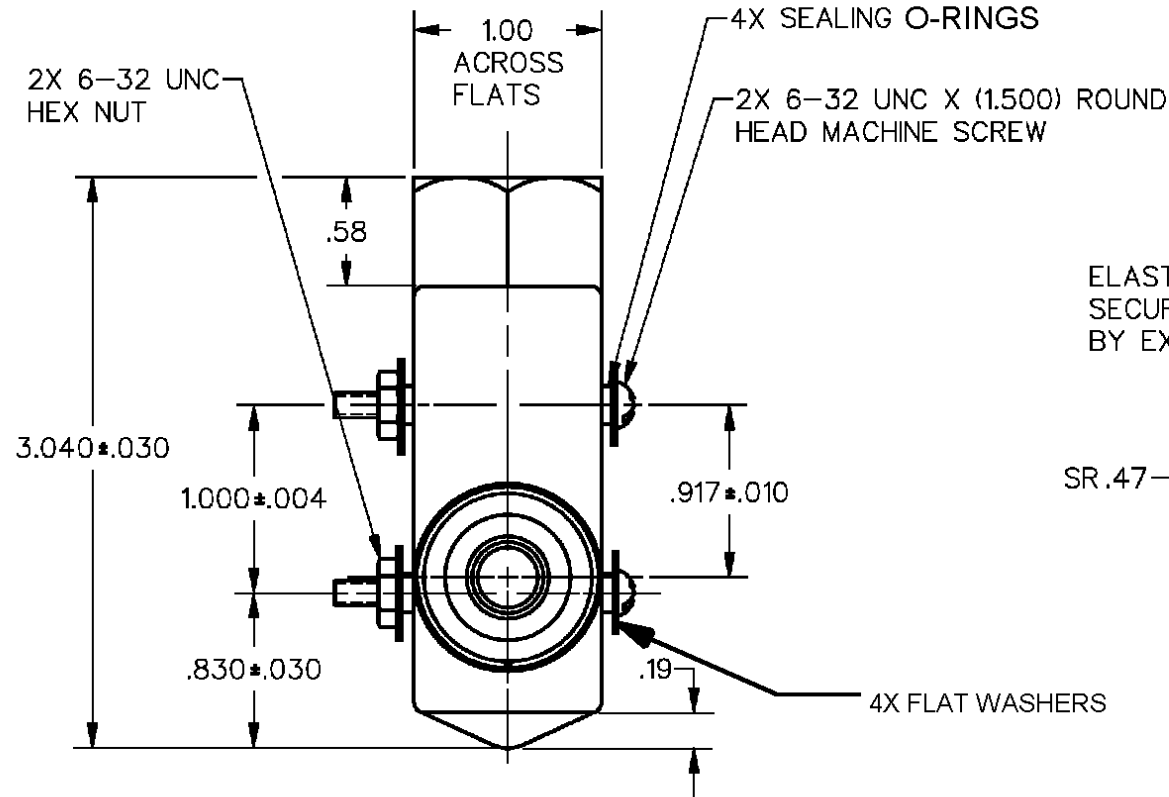
W L S

21 FEB 94

CHECK

W L S

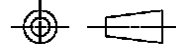
21 FEB 94



NOTE  
1 - 6X 4-40 UNC X (.125) TERMINAL SCREW AND LOCKWASHER  
2 - SEAL RATING : NEMA 1.3  
IP 54

THIS DRAWING COVERS A PROPRIETARY ITEM AND IS THE PROPERTY OF MICRO SWITCH, A DIVISION OF HONEYWELL. THIS DRAWING IS NOT TO BE COPIED OR USED WITHOUT THE APPROVAL OF MICRO SWITCH

THIRD ANGLE PROJECTION



**CHARACTERISTICS**

OPERATING FORCE ———— 26-59 OZ  
DIFFERENTIAL TRAVEL ———— .060 MAX  
OVERTRAVEL ———— .125 MIN  
BASIC SWITCH REPLACEMENT ——— DT-2R-A7

**ELECTRICAL DATA**

CONTACT ARRANGEMENT  
D P D T  
L59 10A 125 OR 250 VAC  
0.3A 125 VDC, 0.15A 250 VDC

SCALE FULL

DO NOT SCALE PRINT

UNLESS OTHERWISE SPECIFIED TOLERANCES ARE

ONE PLACE (.0) ± .030  
TWO PLACE (.00) ± .015  
THREE PLACE (.000) ± .005  
ANGLES ±

WEIGHT .56 LB



ANSI Y14.5M-1982 APPLIES