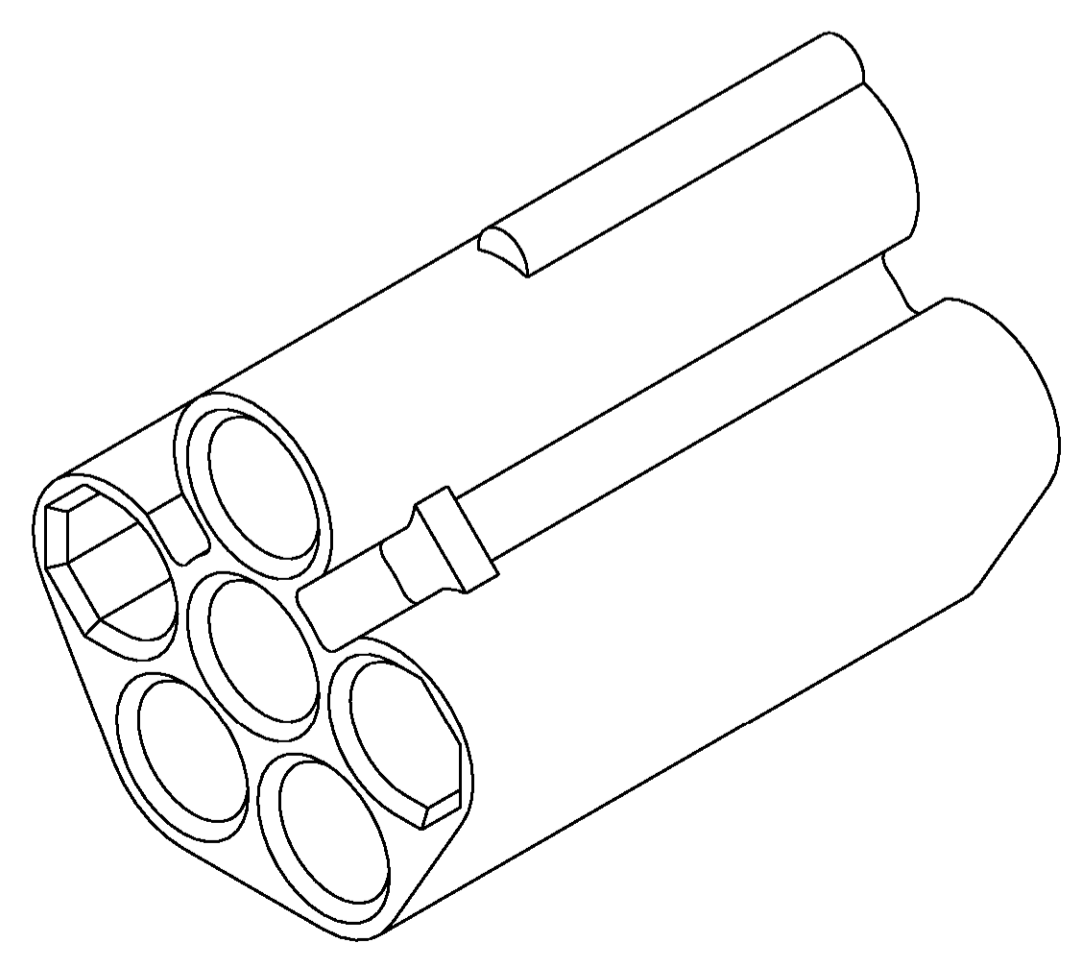
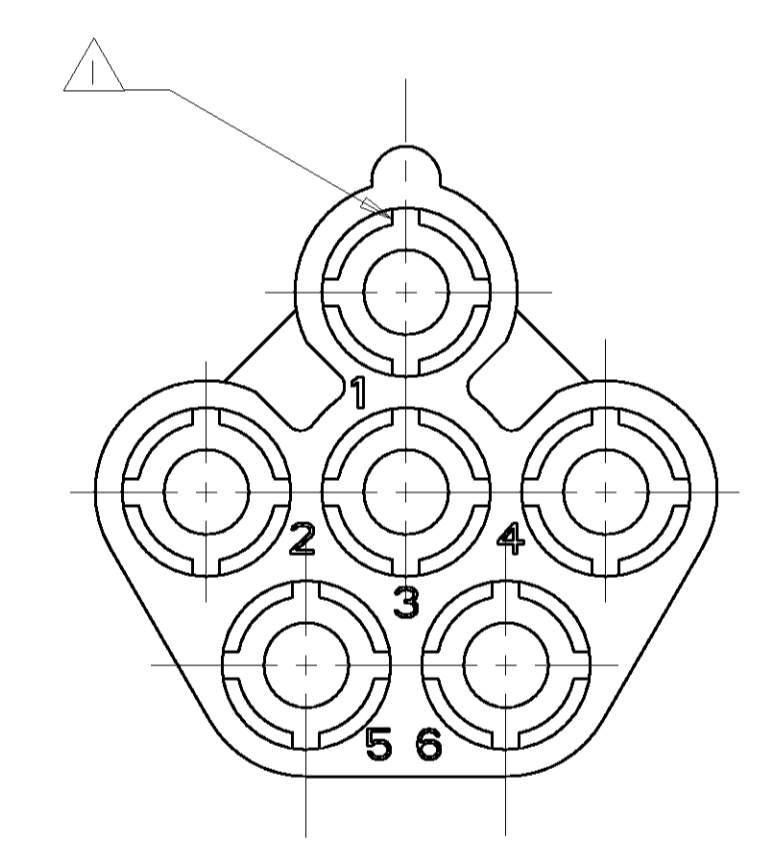
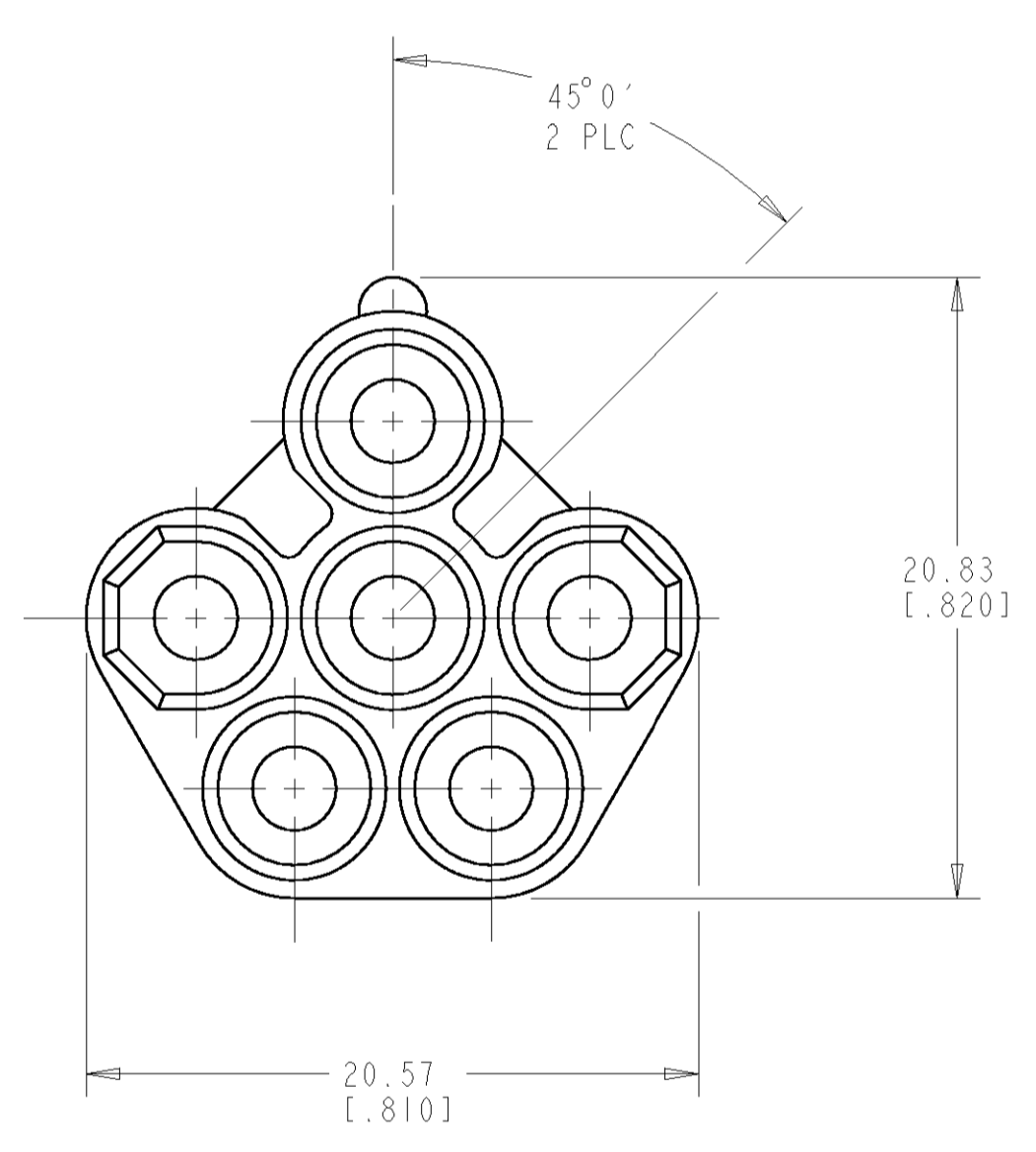
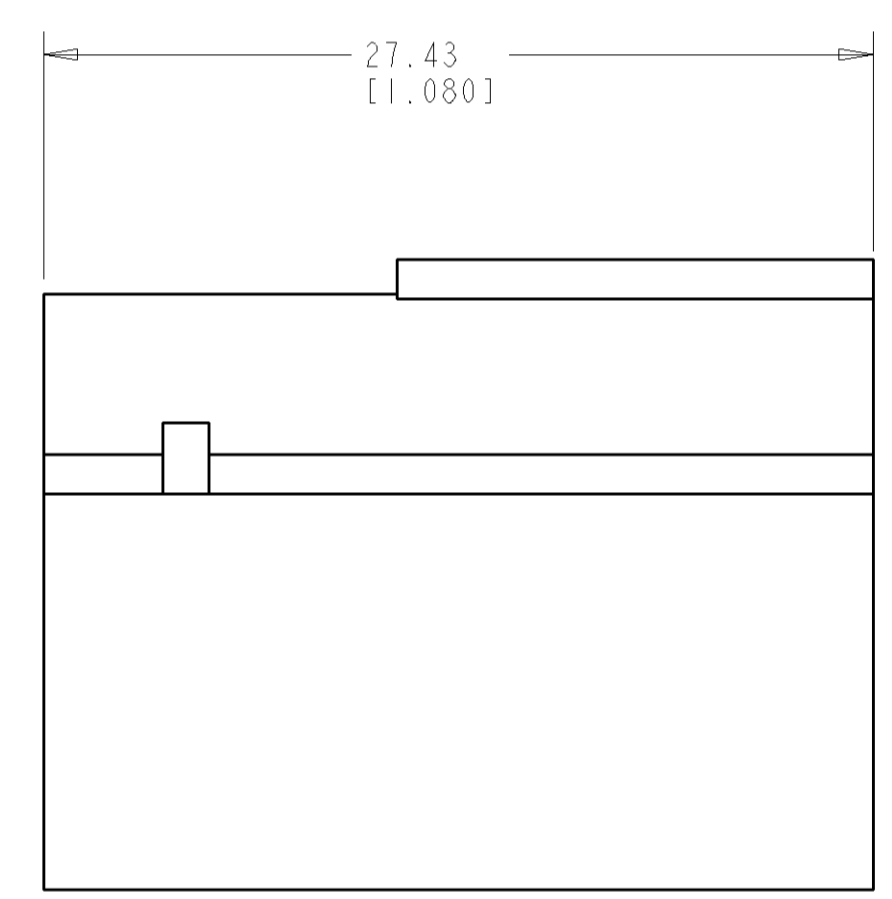
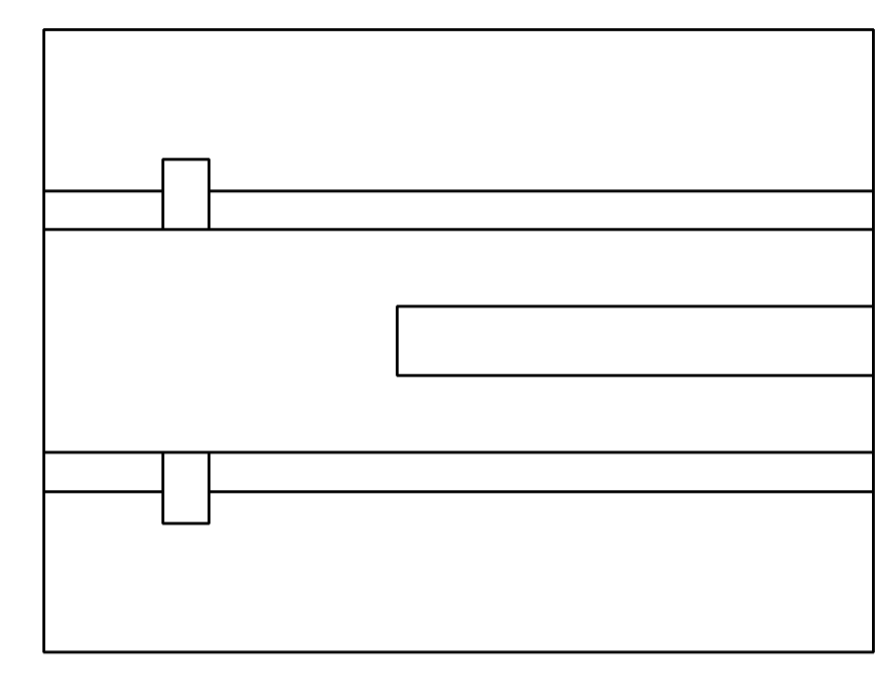


LOC	DIST	REVISIONS					
		P.	LTR	DESCRIPTION	DATE	DWN	APVD
CM	53	B		REVISED PER 0638-0556-01	15-OCT-01	KW	SR

△ FOUR RIBS EQUALLY SPACED. NO SPECIFIC ORIENTATION.



3-DIMENSIONAL MODEL
SCALE 4:1

NATURAL	794912-1
COLOR	PART NUMBER

<small>THIS DRAWING IS UNPUBLISHED. RELEASED FOR PUBLICATION. ALL RIGHTS RESERVED. THIS DRAWING IS THE PROPERTY OF TICO ELECTRONICS CORPORATION. IT IS TO BE KEPT IN CONFIDENTIALITY AND NOT TO BE REPRODUCED OR TRANSMITTED IN ANY FORM OR BY ANY MEANS, ELECTRONIC OR MECHANICAL, INCLUDING PHOTOCOPYING, RECORDING, OR BY ANY INFORMATION STORAGE AND RETRIEVAL SYSTEM. WITHOUT THE WRITTEN PERMISSION OF TICO ELECTRONICS CORPORATION.</small>		DWN R. WHITAKER 23-MAR-2001	AMP Incorporated Harrisburg, PA 17105-3608
DIMENSIONS: mm [INCHES]		CHK S. RIDGILL 23-MAR-2001	AMP CAP, CIRCULAR, 6 CIRCUIT, UNIVERSAL MATE-N-LOK™
TOLERANCES UNLESS OTHERWISE SPECIFIED: 0 PLC ± 1 PLC ± 2 PLC ±0.13(.005) 3 PLC ± 4 PLC ± ANGLES ±		APVD S. RIDGILL 23-MAR-2001	
MATERIAL NYLON, UL 94V-2		FINISH -	PRODUCT SPEC APPLICATION SPEC WEIGHT CUSTOMER DRAWING
SCALE 4:1		SIZE CAGE CODE DRAWING NO A 00779 C-794912	RESTRICTED TO SHEET 1 OF 1 REV B

