

DATA

Independent 130

Maximum independence with the multifunctional ERSA gas soldering sets



original size

Technical data:

Rating: 25 - 130 W
 Heating time: 183°C in approx. 30 sec.
 Sold. tip temp.: approx. 580°C max.
 Weight: 121 g
 Ignition: piezo ignition, operates on butane gas

Order nos.:

OG13400141 Gas soldering set Independent 130 „Profi Set“



consisting of:

- OG130KN Gas soldering iron Independent 130 with chisel-shaped soldering tip OG132KN, 2.4 mm
- OG132CN Chisel-shaped sold. tip, 1.0 mm
- OG132AN Chisel-shaped sold. tip, 3.2 mm
- OG132VN Chisel-shaped sold. tip, 4.8 mm
- OG132BE Flame nozzle
- OG132HE Hot gas nozzle
- OG132MN Hot blade
- OG132RE Deflector to shrink heat-shrinkable sleeves
- 0006 Cleaning sponge
- OG156 Sponge container

Order nos.:

OG13400041 Gas soldering set Independent 130 „Basic Set“

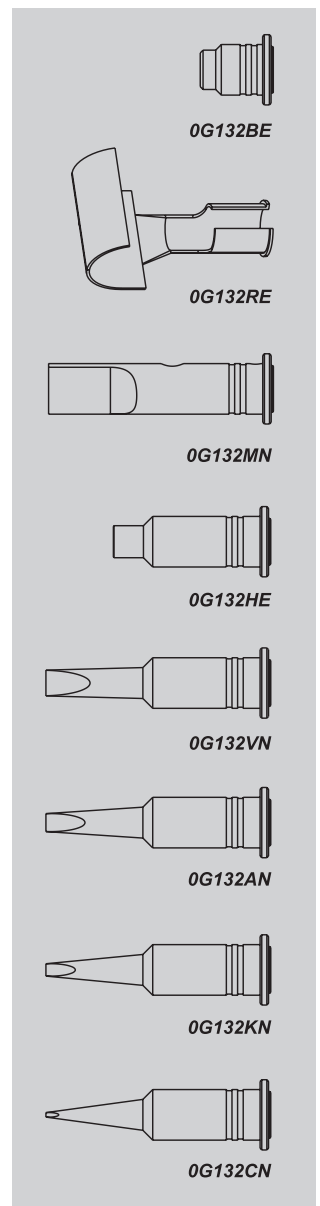


consisting of:

- OG130KN Gas soldering iron Independent 130 with chisel-shaped soldering tip OG132KN, 2.4 mm
- OG132CN Chisel-shaped soldering tip, 1.0 mm
- 0006 Cleaning sponge
- OG156 Sponge container

Accessories:

- OG 806 K Gas cartridge, 65 ml



ERSA GmbH
 Otto-Schott-Straße 3-7
 P.O.Box 1261
 97862 Wertheim/Germany
 Tel: +49(0)9342/800-0
 Fax: +49(0)9342/800-250
 e-mail: info@ersa.de
 http://www.ersa.de

A Kurtz Company