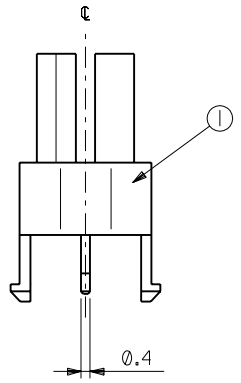
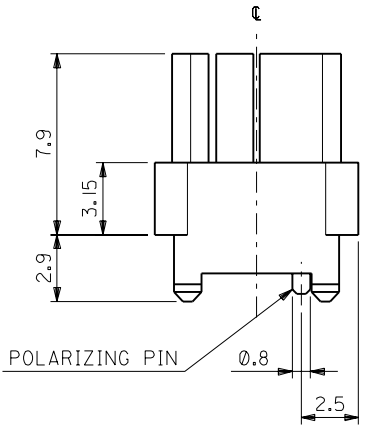
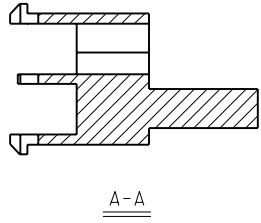
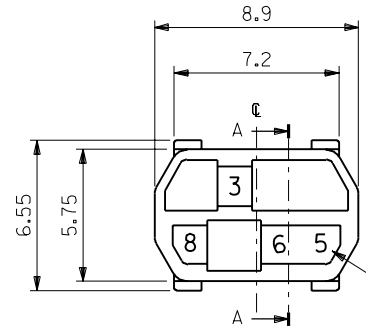


DWG. NO. SD-51166-001

番号 NO.	部品 PART NAME	材質 MATERIAL
①	プラグ コーディング キー PLUG CODING KEY	ナイロン, ガラス充填, UL94V-0 PA, GLASS FILLED, UL94V-0

注記
NOTE

△ ID MUNBERを表わす。
例) 本図の ID MUNBERは "3568".



51165-1235	OCHRE YELLOW	4678	51166-4678
↑ -1247	PASTEL ORANGE	3568	↑ -3568
-1256	STEEL BLUE	3478	-3478
-1258	SLATE GRAY	3467	-3467
-1278	CADMIUM YELLOW	3456	-3456
-1346	RESEDA GREEN	2578	-2578
-1347	OCEAN BLUE	2568	-2568
-1348	EMERALD GREEN	2567	-2567
-1358	YELLOW ORANGE	2467	-2467
-1367	HEATHER VIOLET	2458	-2458
-1458	STONE GRAY	2367	-2367
-1578	PURPLE RED	2346	-2346
-2345	SALMON PINK	1678	-1678
-2348	BRILLIANT BLUE	1567	-1567
-2378	PASTEL GREEN	1456	-1456
-2478	BLUE LILAC	1356	-1356
-3457	OLIVE YELLOW	1268	-1268
-3567	STRAWBERRY RED	1248	-1248
-4567	ULTRAMARINE BLUE	1238	-1238
↓ -4578	NUT BROWN	1236	↓ -1236
51165-4678	GREEN BROWN	1235	51166-1235
REC. KEY MATERIAL NO.	COLOR	ID MUNBER	MATERIAL NO.

DO NOT SCALE DRAWING

EC NO. DRWN: CHK: APPR:	EC NO. DRWN: CHK: APPR:	EC NO. DRWN: CHK: APPR:	REVISED EC No. JD2001-0420 DRWN: S.ANDO '00/09/18 CHK: A.NODA '00/09/18 APPR: H.IKESUGI '00/09/18	RELEASED EC No. JD2001-0125 DRWN: S.ANDO '00/07/31 CHK: A.NODA '00/07/31 APPR: H.IKESUGI '00/07/31	MATERIAL 材料	FINISH 仕上げ	WIRE RANGE 適用電線範囲	INS. RANGE 被覆外径
			A	0				

GENERAL TOLERANCES: (UNLESS SPECIFIED) 一般公差	SCALE 5-1	DESIGN UNITS <input checked="" type="checkbox"/> mm <input type="checkbox"/> INCH	DIMENSIONS: <input type="checkbox"/> mm <input type="checkbox"/> INCH <input checked="" type="checkbox"/> mm ONLY	SHT REV
10 UNDER 未満	±0.2	DRAWN BY & DATE S. Ando '00/07/31	THIRD ANGLE PROJECTION	REVISE ON CAD ONLY
10 OVER 以上	±0.25	CHECKED BY & DATE A. Noda '00/07/31		TITLE: "MZP" B/B CONN. PLUG CODING KEY
30 OVER 以上	±0.3	APPROVED BY & DATE S. Ando '00/07/31		
ANGLE 角度	±3°	CAD FILENAME SD-51166-001.S01	MOLEX INCORPORATED	MATERIAL NO. SEE TABLE
THIS DRAWING CONTAINS INFORMATION THAT IS PROPRIETARY TO MOLEX INCORPORATED AND SHOULD NOT BE USED WITHOUT WRITTEN PERMISSION.			DRAWING NO. SD-51166-001	SHEET NO. 1 OF 1
			SIZE B	

SD-51166-001.S01