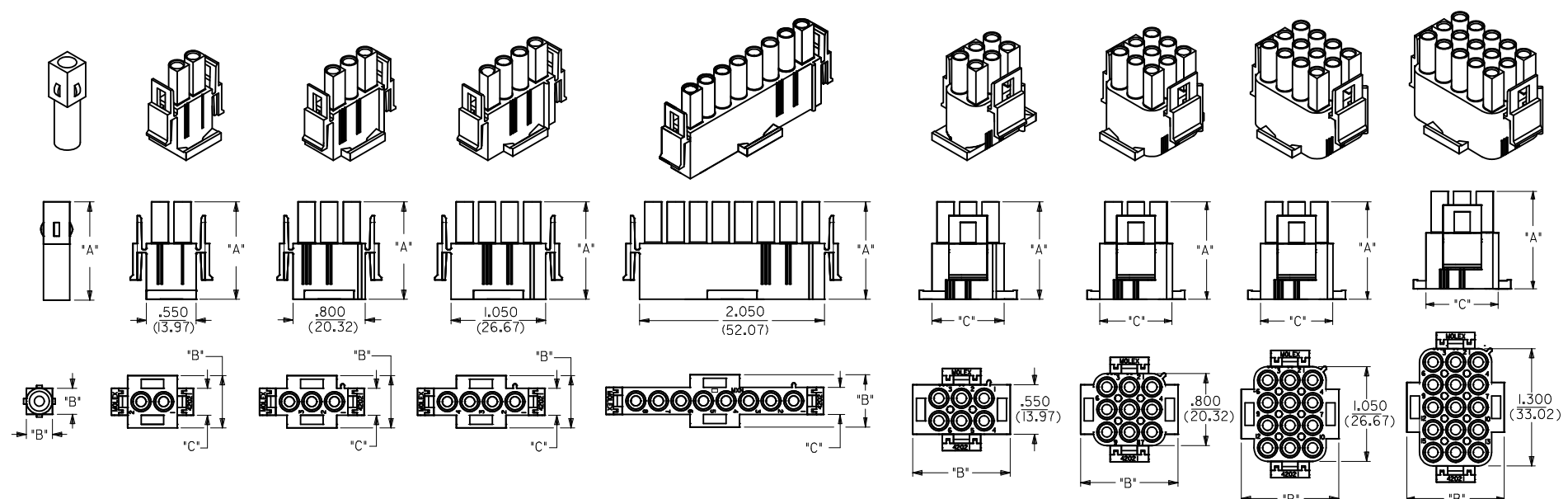


13 12 11 10 9 8 7 6 5 4 3 2 1



ENTER DESCRIPTION EC NO: 12010-0674 DRWN: SNS01 CHKD: GWF APPR: KRASAD 2010/06/11 87/11/16 2010/06/22	QUALITY SYMBOLS ▽=0 ▽=0	GENERAL TOLERANCES (UNLESS SPECIFIED) <table border="1"> <tr> <td></td> <td>mm</td> <td>INCH</td> </tr> <tr> <td>4 PLACES</td> <td>± .01</td> <td>± .0005</td> </tr> <tr> <td>3 PLACES</td> <td>± .02</td> <td>± .001</td> </tr> <tr> <td>2 PLACES</td> <td>± .05</td> <td>± .002</td> </tr> <tr> <td>1 PLACE</td> <td>± .10</td> <td>± .004</td> </tr> <tr> <td colspan="2">ANGULAR</td> <td>± .5°</td> </tr> </table>		mm	INCH	4 PLACES	± .01	± .0005	3 PLACES	± .02	± .001	2 PLACES	± .05	± .002	1 PLACE	± .10	± .004	ANGULAR		± .5°	DIMENSION STYLE IN/MM	SCALE 1:1	DESIGN UNITS INCH	THIRD ANGLE PROJECTION
		mm	INCH																					
	4 PLACES	± .01	± .0005																					
	3 PLACES	± .02	± .001																					
	2 PLACES	± .05	± .002																					
1 PLACE	± .10	± .004																						
ANGULAR		± .5°																						
DESCRIPTION C5	DRAFT WHERE APPLICABLE MUST REMAIN WITHIN DIMENSIONS	DRAWN BY: RK DATE: 87/11/16 CHECKED BY: GWF DATE: 87/11/16 APPROVED BY: GWF DATE: 87/11/16	TITLE HOUSING, PLUG .084/(2.13) DIA. SERIES	MATERIAL NO. SEE TABLE	DOCUMENT NO. SD-42021-**	SHEET NO. 1 OF 2																		
THIS DRAWING CONTAINS INFORMATION THAT IS PROPRIETARY TO MOLEX INCORPORATED AND SHOULD NOT BE USED WITHOUT WRITTEN PERMISSION																								

12 11 10 9 8 7 6 5 4 3 2 1

PART NO.	ENG. NO.	CIRCUIT SIZE	MATERIAL (SEE NOTE 1)	DIM. "A"	DIM. "B"	DIM. "C"	STATUS
050-84-1010	42021-1A	1	A				ACTIVE
050-84-1011	42021-1B	1	B	1.090	.290	----	VOID
050-84-1015	42021-1C	1	C	(27.69)	(7.37)		ACTIVE
366430001	36643-001	1	E				ACTIVE
050-84-1020	42021-2A	2	A				ACTIVE
050-84-1021	42021-2B	2	B	1.087	.580	.300	VOID
050-84-1025	42021-2C	2	C	(27.61)	(14.73)	(7.62)	ACTIVE
366430002	36643-002	2	E				ACTIVE
050-84-1030	42021-3A	3	A				ACTIVE
050-84-1031	42021-3B	3	B	1.087	.580	.300	VOID
050-84-1035	42021-3C	3	C	(27.61)	(14.73)	(7.62)	ACTIVE
366430003	36643-003	3	E				ACTIVE
050-84-1040	42021-4A	4	A				ACTIVE
050-84-1041	42021-4B	4	B	1.087	.580	.300	VOID
050-84-1045	42021-4C	4	C	(27.61)	(14.73)	(7.62)	ACTIVE
366430004	36643-004	4	E				ACTIVE
050-84-1060	42021-6A	6	A				ACTIVE
050-84-1061	42021-6B	6	B	1.087	1.080	.800	VOID
050-84-1065	42021-6C	6	C	(27.61)	(27.43)	(20.32)	ACTIVE
366430005	36643-005	6	E				ACTIVE
PRELIMINARY	42021-8A	8	A	1.087	.580	.300	ACTIVE
PRELIMINARY	42021-8B	8	B	(27.61)	(14.73)	(7.62)	ACTIVE
PRELIMINARY	42021-8C	8	C				ACTIVE
050-84-1090	42021-9A	9	A				ACTIVE
050-84-1091	42021-9B	9	B	1.087	1.080	.800	VOID
050-84-1095	42021-9C	9	C	(27.61)	(27.43)	(20.32)	ACTIVE
366430006	36643-006	9	E				ACTIVE
050-84-1120	42021-12A	12	A				ACTIVE
050-84-1121	42021-12B	12	B	1.087	1.080	.800	VOID
050-84-1125	42021-12C	12	C	(27.61)	(27.43)	(20.32)	ACTIVE
366430007	36643-007	12	E				ACTIVE
050-84-1150	42021-15A	15	A				ACTIVE
050-84-1151	42021-15B	15	B	1.087	1.080	.800	VOID
050-84-1155	42021-15C	15	C	(27.61)	(27.43)	(20.32)	ACTIVE
366430008	36643-008	15	E				ACTIVE
366480001	36648-001	1	D		.290(7.37)	----	ACTIVE
366480002	36648-002	2	D	1.079	.580	.300	ACTIVE
366480003	36648-003	3	D	(27.43)	(14.73)	(7.62)	ACTIVE
366480004	36648-004	4	D				ACTIVE
366480005	36648-005	6	D				ACTIVE
366480006	36648-006	9	D	1.079	1.080	.800	ACTIVE
366480007	36648-007	12	D	(27.43)	(27.43)	(20.32)	ACTIVE
366480008	36648-008	15	D				ACTIVE
366410001	36641-001	4	D	1.090	.580(14.73)	.300(7.62)	OBSOLETE
366410002	36641-002	9	D	(27.69)	1.080(27.43)	.800(20.32)	OBSOLETE

NOTES:

1) MATERIAL CODES:

- "A"= NYLON TYPE 6/6, 94V-2
COLOR: NATURAL (WHITE/TRANSLUCENT)
- "B"= NYLON TYPE 6/6, 94V-0
COLOR: (BRICK RED)
- "C"= NYLON TYPE 6/6, 94V-0
COLOR: NATURAL (WHITE)
- "D"= NYLON, 94V-2
COLOR: BLACK (ZYTEL 101F)
- "E"= NYLON 94V-2
COLOUR:NATURAL
GLOW WIRE COMPATIBLE WITH CTI OF 325 VOLTS,
ACCORDING TO IEC 60335-4TH EDITION

2) UNLESS OTHERWISE INDICATED, DIMENSIONS ARE FOR REFERENCE ONLY.

3) PLUG HOUSINGS MATE WITH :
- CAP HOUSINGS, .084/(2.13) DIA. SERIES: (42022-***)
- HEADER ASSEMBLY HOUSINGS, .084/(2.13) DIA. SERIES: (A-42002-*****)

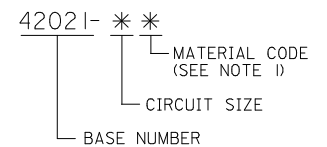
4) HOUSINGS DESIGNED TO BE USED WITH TERMINALS :
- PINS, .084/(2.13) DIA. SERIES: (42023-****)
- SOCKETS, .084/(2.13) DIA. SERIES: (42024-****)

5) CONTACTS ARE ON .250/(6.35) GRID CENTERLINE SPACING.

6) PRODUCT SPECIFICATION PS-42022-0001 APPLIES.

7) LEGEND SCHEME IS NOT APPLICABLE FOR GLOW WIRE COMPATIBLE PART NUMBERS

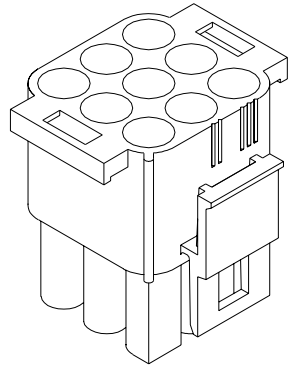
LEGEND:



PART NO.	ENG. NO.	CIRCUIT SIZE	MATERIAL (SEE NOTE 1)	DIM. "A"	DIM. "B"	DIM. "C"	STATUS
050-84-1010	42021-1A	1	A				ACTIVE
050-84-1011	42021-1B	1	B	1.090	.290	----	VOID
050-84-1015	42021-1C	1	C	(27.69)	(7.37)		ACTIVE
366430001	36643-001	1	E				ACTIVE
050-84-1020	42021-2A	2	A				ACTIVE
050-84-1021	42021-2B	2	B	1.087	.580	.300	VOID
050-84-1025	42021-2C	2	C	(27.61)	(14.73)	(7.62)	ACTIVE
366430002	36643-002	2	E				ACTIVE
050-84-1030	42021-3A	3	A				ACTIVE
050-84-1031	42021-3B	3	B	1.087	.580	.300	VOID
050-84-1035	42021-3C	3	C	(27.61)	(14.73)	(7.62)	ACTIVE
366430003	36643-003	3	E				ACTIVE
050-84-1040	42021-4A	4	A				ACTIVE
050-84-1041	42021-4B	4	B	1.087	.580	.300	VOID
050-84-1045	42021-4C	4	C	(27.61)	(14.73)	(7.62)	ACTIVE
366430004	36643-004	4	E				ACTIVE
050-84-1060	42021-6A	6	A				ACTIVE
050-84-1061	42021-6B	6	B	1.087	1.080	.800	VOID
050-84-1065	42021-6C	6	C	(27.61)	(27.43)	(20.32)	ACTIVE
366430005	36643-005	6	E				ACTIVE
PRELIMINARY	42021-8A	8	A	1.087	.580	.300	ACTIVE
PRELIMINARY	42021-8B	8	B	(27.61)	(14.73)	(7.62)	ACTIVE
PRELIMINARY	42021-8C	8	C				ACTIVE
050-84-1090	42021-9A	9	A				ACTIVE
050-84-1091	42021-9B	9	B	1.087	1.080	.800	VOID
050-84-1095	42021-9C	9	C	(27.61)	(27.43)	(20.32)	ACTIVE
366430006	36643-006	9	E				ACTIVE
050-84-1120	42021-12A	12	A				ACTIVE
050-84-1121	42021-12B	12	B	1.087	1.080	.800	VOID
050-84-1125	42021-12C	12	C	(27.61)	(27.43)	(20.32)	ACTIVE
366430007	36643-007	12	E				ACTIVE
050-84-1150	42021-15A	15	A				ACTIVE
050-84-1151	42021-15B	15	B	1.087	1.080	.800	VOID
050-84-1155	42021-15C	15	C	(27.61)	(27.43)	(20.32)	ACTIVE
366430008	36643-008	15	E				ACTIVE
366480001	36648-001	1	D		.290(7.37)	----	ACTIVE
366480002	36648-002	2	D	1.079	.580	.300	ACTIVE
366480003	36648-003	3	D	(27.43)	(14.73)	(7.62)	ACTIVE
366480004	36648-004	4	D				ACTIVE
366480005	36648-005	6	D				ACTIVE
366480006	36648-006	9	D	1.079	1.080	.800	ACTIVE
366480007	36648-007	12	D	(27.43)	(27.43)	(20.32)	ACTIVE
366480008	36648-008	15	D				ACTIVE
366410001	36641-001	4	D	1.090	.580(14.73)	.300(7.62)	OBSOLETE
366410002	36641-002	9	D	(27.69)	1.080(27.43)	.800(20.32)	OBSOLETE

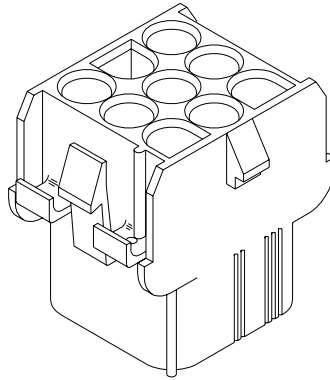
ENTER DESCRIPTION EC NO: I2010-0674 DRWN: SNS01 2010/06/11 CHKD: GWF 87/11/16 APPR: KPRASAD 2010/06/22	QUALITY SYMBOLS ▽=0 ▽=0	GENERAL TOLERANCES (UNLESS SPECIFIED)		DIMENSION STYLE IN/MM		SCALE 1:1	DESIGN UNITS INCH	THIRD ANGLE PROJECTION	
		4 PLACES ± --- ± ---	mm INCH	DRAWN BY RK	DATE 87/11/16	TITLE HOUSING, PLUG .084/(2.13) DIA. SERIES			
		3 PLACES ± --- ± .010		CHECKED BY GWF	DATE 87/11/16	MOLEX INCORPORATED			
		2 PLACES ± 0.25 ± 0.14		APPROVED BY GWF	DATE 87/11/16	MATERIAL NO. SEE TABLE	DOCUMENT NO. SD-42021-**	SHEET NO. 2 OF 2	
1 PLACE ± 0.36 ± ---		ANGULAR ± ---°		THIS DRAWING CONTAINS INFORMATION THAT IS PROPRIETARY TO MOLEX INCORPORATED AND SHOULD NOT BE USED WITHOUT WRITTEN PERMISSION					
DRAFT WHERE APPLICABLE MUST REMAIN WITHIN DIMENSIONS									

PLUG HOUSING



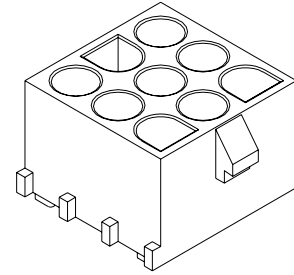
SD-42021-A (V-2)
SD-42021-B (V-0)

CAP HOUSING



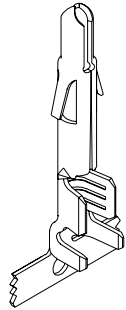
SD-42022-A (V-2)
SD-42022-B (V-0)

HEADER ASSEMBLY



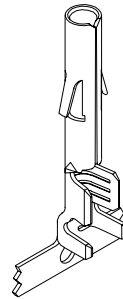
SDA-42002-A1I (V-2, PIN TERMINALS)
SDA-42002-B1I (V-0, PIN TERMINALS)
SDA-42002-A2I (V-2, SOCKET TERMINALS)
SDA-42002-B2I (V-0, SOCKET TERMINALS)

SPLIT PIN TERMINAL



SD-42023-2A1 (BRASS, TIN PLATED)
SD-42023-2A2 (BRASS, GOLD PLATED)
SD-42023-2B1 (PHOSPHOR BRONZE, TIN PLATED)
SD-42023-2B2 (PHOSPHOR BRONZE, GOLD PLATED)

SOCKET TERMINAL



SD-42024-1A1 (BRASS, TIN PLATED)
SD-42024-1A2 (BRASS, GOLD PLATED)
SD-42024-1B1 (PHOSPHOR BRONZE, TIN PLATED)
SD-42024-1B2 (PHOSPHOR BRONZE, GOLD PLATED)

REV	DESCRIPTION
B	PEG NO. I2004-0443 DRWN: BSS 26/04/04 CHK: GJ 26/04/04 APPR: GJ 26/04/04

QUALITY SYMBOLS	MAJOR =	CRITICAL =

GENERAL TOLERANCES: (UNLESS SPECIFIED)	SCALE N.T.S.	DESIGN UNITS <input type="checkbox"/> mm <input checked="" type="checkbox"/> INCH
4 PLACES ±0. ±.	DRAWN BY & DATE MAB 08/05/92	CHECKED BY & DATE KBP 08/05/92
3 PLACES ±0. ±.	APPROVED BY & DATE RAS 08/05/92	CAD FILENAME SDIN42002.DGN
2 PLACES ±0. ±.	ANGULAR: ± 1/2 °	MATERIAL NO. PRELIMINARY
1 PLACE ±0. ±.	DRAFT WHERE APPLICABLE MUST REMAIN WITHIN DIMENSIONS	DRAWING NO. SDIN-42022-0001

DIMENSIONS: <input type="checkbox"/> mm <input checked="" type="checkbox"/> INCH <input type="checkbox"/> mm ONLY	SHT REV
70° IRD ANGLE PROJECTION	REVISE ON CAD ONLY

TITLE: MLX CONNECTOR FAMILY	
MOLEX INCORPORATED	
SHEET NO. 1 OF 1	SIZE C
THIS DRAWING CONTAINS INFORMATION THAT IS PROPRIETARY TO MOLEX INCORPORATED AND SHOULD NOT BE USED WITHOUT WRITTEN PERMISSION.	