

NOTE:

1.MATERIALS:

HOUSING: HIGH TEMPERATURE THERMOPLASTIC,BLACK, UL94 V-0.

TERMINAL , NAIL AND SWITCH: HIGH PERFORMANCE COPPER ALLOY.

METAL SHELL: STAINLESS STEEL

2.FINISH:

TERMINAL: NICKEL OVERALL UNDERPLATING,
THICKNESS : 1.27 MICROMETER MIN.
SELECTIVE GOLD ON CONTACT AREA,
THICKNESS : 0.2 MICROMETER MIN.
TIN ALLOY ON SOLDER AREA.
THICKNESS : 3 MICROMETER MIN.

SWITCH: NICKEL OVERALL UNDERPLATING,
THICKNESS : 1.27 MICROMETER MIN.
SELECTIVE GOLD ON CONTACT AREA,
THICKNESS : 0.05 MICROMETER MIN.
TIN ALLOY ON SOLDER AREA.
THICKNESS : 3 MICROMETER MIN.

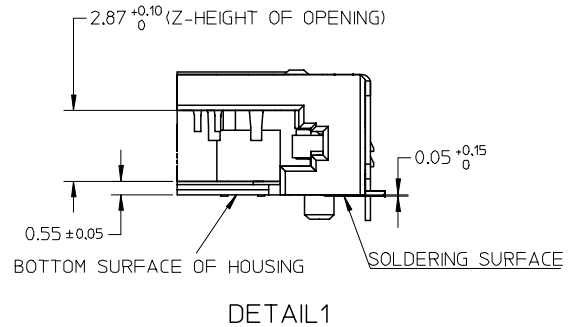
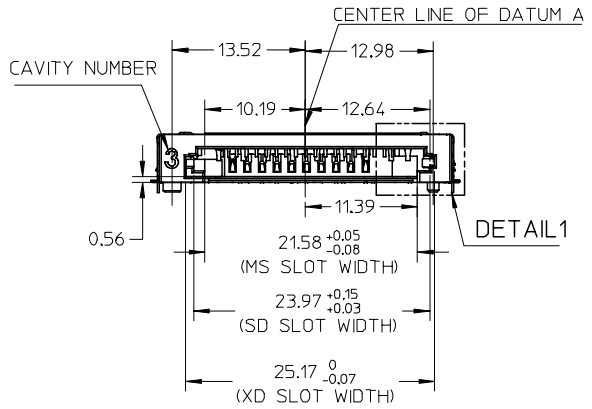
NAIL: NICKEL OVERALL UNDERPLATING,
THICKNESS : 1.27 MICROMETER MIN.
TIN ALLOY .THICKNESS : 3 MICROMETER MIN.ON SOLDER AREA

3.COPLANARITY: 0.15 MAX.

4.PRODUCT SPECIFICATION: PS-48000-001

5.PACKAGING: PK-48000-001

6.PRODUCTION SHOULD MEET THE REQUEST OF ROHS AGENCY.



7.DATE CODE DESCRIPTION:

DAY SHIFT:'A'

NIGHT SHIFT:'B'

PART REVISION,ONE OR TWO DIGITALS

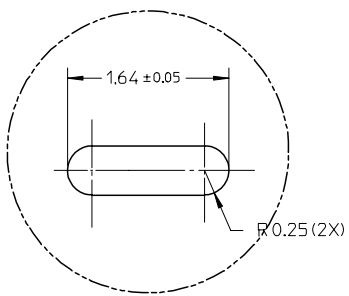
DAY

MONTH

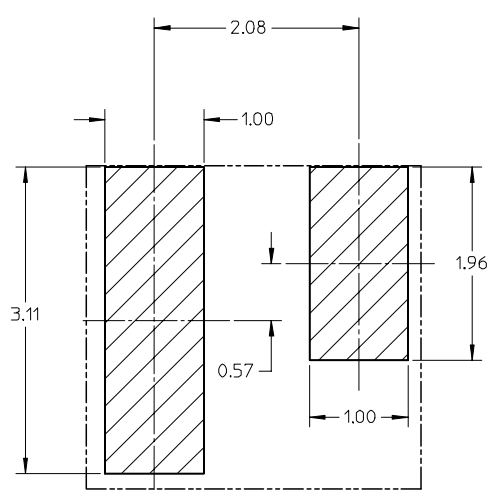
YEAR

8.CURRENT PRODUCT VERSION IS REV.20

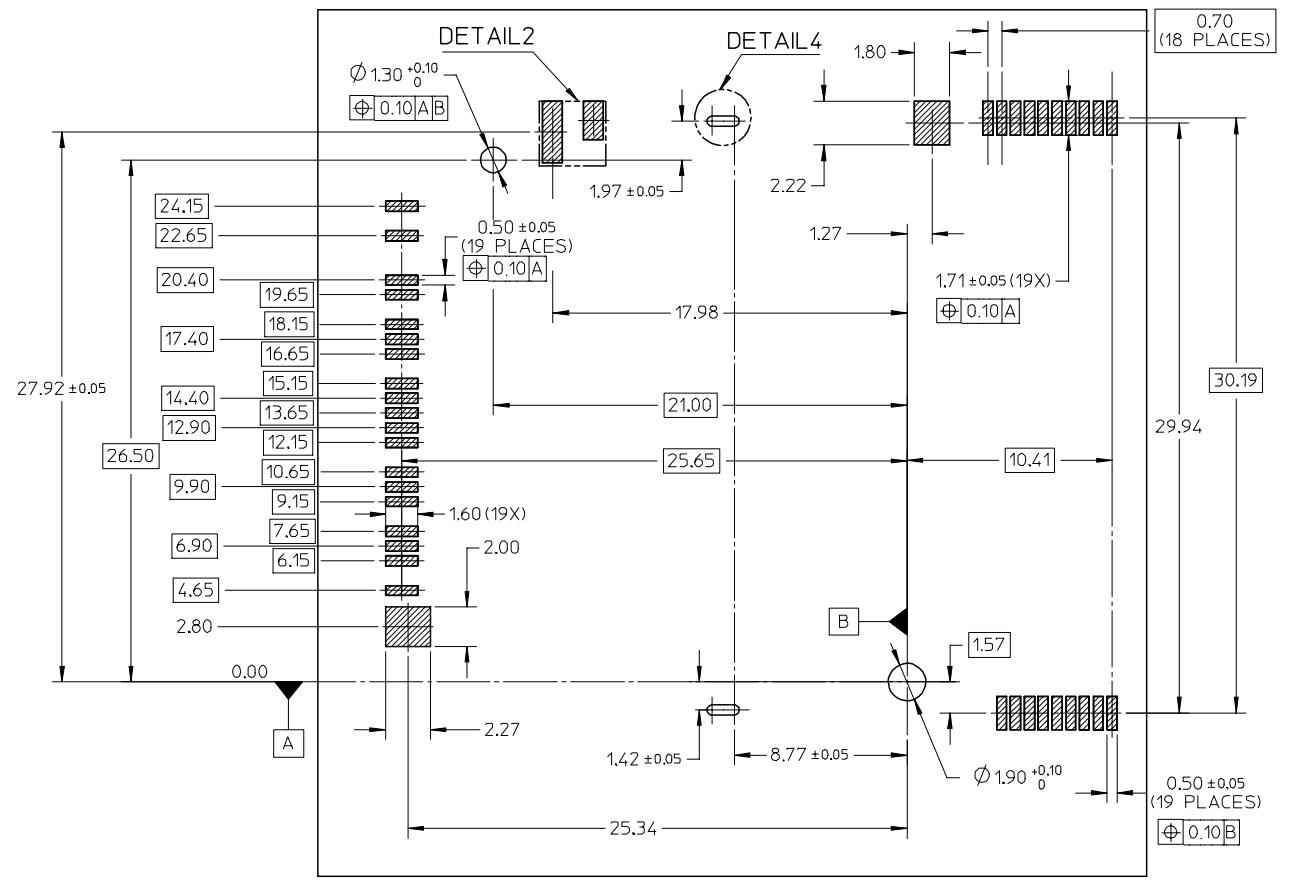
NEW PRODUCT EC NO: SH2006-0783 DRWN: JITIAN CHKD:GRMA APPR: JNCHEH 2006/06/09 2006/08/02	QUALITY SYMBOLS	GENERAL TOLERANCES (UNLESS SPECIFIED)		DIMENSION STYLE		SCALE	DESIGN UNITS	THIRD ANGLE PROJECTION	
	$\nabla=0$	mm	INCH	MM ONLY		2:1	METRIC		
	$\triangle=0$	4 PLACES \pm ---	\pm ---	DRAWN BY	DATE	TITLE			
		3 PLACES \pm ---	\pm ---	TXUE	2005/02/04	MEMORY COMBO CARD 4IN1 PUSH-PUSH BOTTOM TYPE			
	2 PLACES ± 0.25	\pm ---	CHECKED BY	DATE	MOLEX INCORPORATED				
	1 PLACE ± 0.3	\pm ---	GRMA	2005/02/04	MATERIAL NO. 480001002				
	ANGULAR $\pm 1/2^\circ$		APPROVED BY	DATE	DOCUMENT NO. SD-48000-003		SHEET NO. 1 OF 5		
	DRAFT WHERE APPLICABLE MUST REMAIN WITHIN DIMENSIONS		YTYAP	2005/02/04	THIS DRAWING CONTAINS INFORMATION THAT IS PROPRIETARY TO MOLEX INCORPORATED AND SHOULD NOT BE USED WITHOUT WRITTEN PERMISSION				



DETAIL4

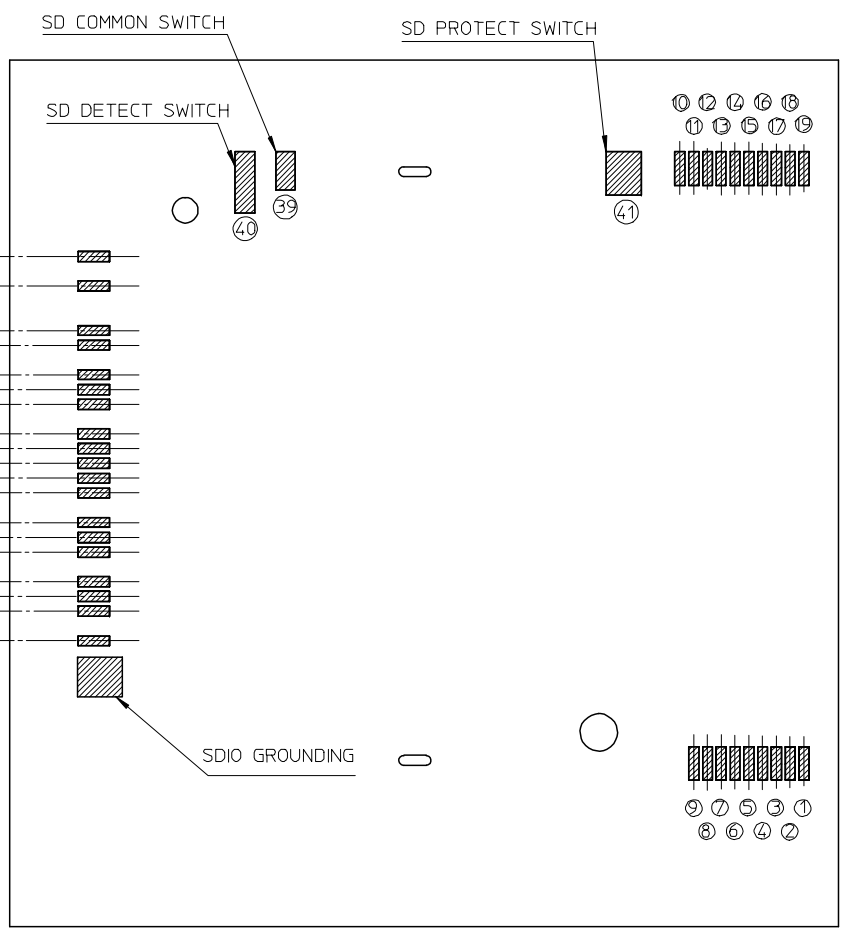


DETAIL2



FOOT PRINT
RECOMMENDED PCB THICKNESS :100mm

NEW PRODUCT EC NO: SH2006-0783 DRWN: JIAN CHKD:GRMA APPR: JNCHEN 2006/06/09 2006/08/02	QUALITY SYMBOLS ▽=0 ▽C=0	GENERAL TOLERANCES (UNLESS SPECIFIED) <table border="1"> <thead> <tr> <th></th> <th>mm</th> <th>INCH</th> </tr> </thead> <tbody> <tr> <td>4 PLACES</td> <td>± ---</td> <td>± ---</td> </tr> <tr> <td>3 PLACES</td> <td>± ---</td> <td>± ---</td> </tr> <tr> <td>2 PLACES</td> <td>± 0.25</td> <td>± ---</td> </tr> <tr> <td>1 PLACE</td> <td>± 0.3</td> <td>± ---</td> </tr> </tbody> </table>		mm	INCH	4 PLACES	± ---	± ---	3 PLACES	± ---	± ---	2 PLACES	± 0.25	± ---	1 PLACE	± 0.3	± ---	DIMENSION STYLE MM ONLY	SCALE 1:1	DESIGN UNITS METRIC	THIRD ANGLE PROJECTION
		mm	INCH																		
	4 PLACES	± ---	± ---																		
	3 PLACES	± ---	± ---																		
2 PLACES	± 0.25	± ---																			
1 PLACE	± 0.3	± ---																			
DESCRIPTION MEMORY COMBO CARD 4IN1 PUSH-PUSH BOTTOM TYPE	DRAWN BY TXUE	DATE 2005/02/04	TITLE MEMORY COMBO CARD 4IN1 PUSH-PUSH BOTTOM TYPE	APPROVED BY YTYAP	DATE 2005/02/04	MOLEX INCORPORATED															
DRAFT WHERE APPLICABLE MUST REMAIN WITHIN DIMENSIONS	MATERIAL NO. 480001002	DOCUMENT NO. SD-48000-003	SHEET NO. 2 OF 5	THIS DRAWING CONTAINS INFORMATION THAT IS PROPRIETARY TO MOLEX INCORPORATED AND SHOULD NOT BE USED WITHOUT WRITTEN PERMISSION																	
REV A	SIZE A3																				



SD CARD CIRCUIT

WITHOUT CARD
#40 SW 0-- --0 #39 GND
#41 WP 0-- --0 #39 GND

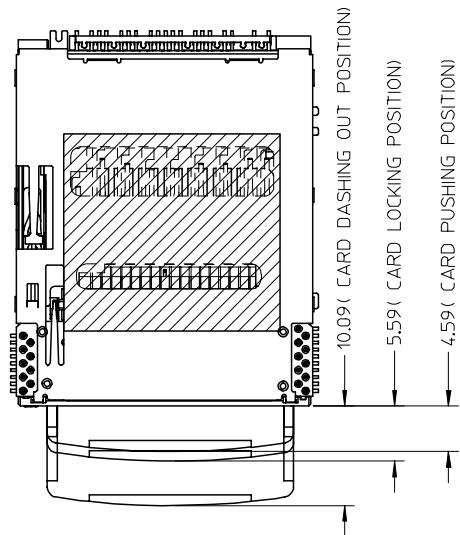
CARD INSERTED
WRITE PROTECT LOCK
#40 SW 0-----0 #39 GND
#41 WP 0-- --0 #39 GND

CARD INSERTED
WRITE PROTECT UNLOCK
#40 SW 0-----0 #39 GND
#41 WP 0-----0 #39 GND

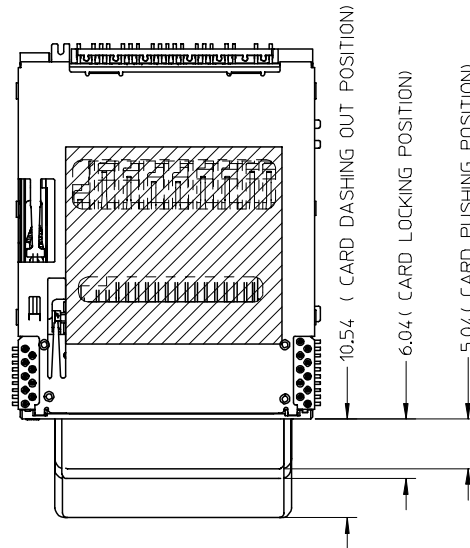
THE SD CARD CONTACTS ARE CONTACTED IN THREE STEPS :
1. GROUND VSS (PIN3) AND SUPPLY VOLTAGE VDD (PIN4).
2. CLK,CMD,DAT0,DAT1,DAT2 AND VSS (PIN6)
3. CD/DAT3 (PIN1)

1	XD-SW (GND)	15	XD-14P (D4)	29	MS-10P (Vss)
2	XD-1P (CD)	16	XD-15P (D5)	30	SD-1P (CD/DAT3)
3	XD-2P (R/-B)	17	XD-16P (D6)	31	SD-2P (CMD)
4	XD-3P (-RE)	18	XD-17P (D7)	32	SD-3P (Vss)
5	XD-4P (-CE)	19	XD-18P (Vcc)	33	SD-4P (Vdd)
6	XD-5P (CLE)	20	MS-1P (Vss)	34	SD-5P (CLK)
7	XD-6P (ALE)	21	MS-2P (BS)	35	SD-6P (Vss)
8	XD-7P (-WE)	22	MS-3P(Data 1)	36	SD-7P (DAT0)
9	XD-8P (-WP)	23	MS-4P(Data 0)	37	SD-8P (DAT1)
10	XD-9P (GND)	24	MS-5P(Data 2)	38	SD-9P (DAT2)
11	XD-10P (D0)	25	MS-6P (INS)	39	SD-SW (GND)
12	XD-11P (D1)	26	MS-7P(Data 3)	40	SW (RSV)
13	XD-12P (D2)	27	MS-8P (SCLK)	41	SD-SW (WP)
14	XD-13P (D3)	28	MS-9P (Vcc)		

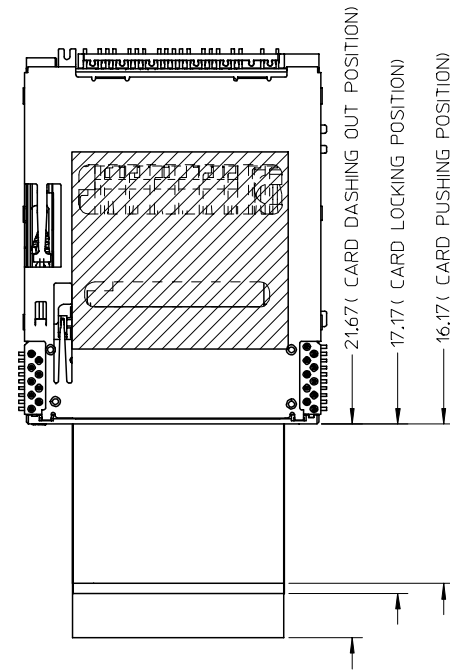
NEW PRODUCT EC NO: SH2006-0783 DRWN: JITIAN CHKD:GRMA APPR: JNCHEN	DESCRIPTION 2006/08/02	QUALITY SYMBOLS	GENERAL TOLERANCES (UNLESS SPECIFIED)	DIMENSION STYLE	SCALE	DESIGN UNITS	THIRD ANGLE PROJECTION	
		▽=0 ▽=0	mm INCH 4 PLACES ± --- ± --- 3 PLACES ± --- ± --- 2 PLACES ± 0.25 ± --- 1 PLACE ± 0.3 ± --- ANGULAR ±1/2°	MM ONLY	1:1	METRIC		
				DRAWN BY	DATE	TITLE		
				CHECKED BY	DATE			
				APPROVED BY	DATE	MEMORY COMBO CARD 4IN1 PUSH-PUSH BOTTOM TYPE MOLEX INCORPORATED		
				YTYAP	2005/02/04			
				MATERIAL NO.	DOCUMENT NO.	SHEET NO.		
				480001002	SD-48000-003	3 OF 5		
				DRAFT WHERE APPLICABLE MUST REMAIN WITHIN DIMENSIONS				
				THIS DRAWING CONTAINS INFORMATION THAT IS PROPRIETARY TO MOLEX INCORPORATED AND SHOULD NOT BE USED WITHOUT WRITTEN PERMISSION				



XD CARD

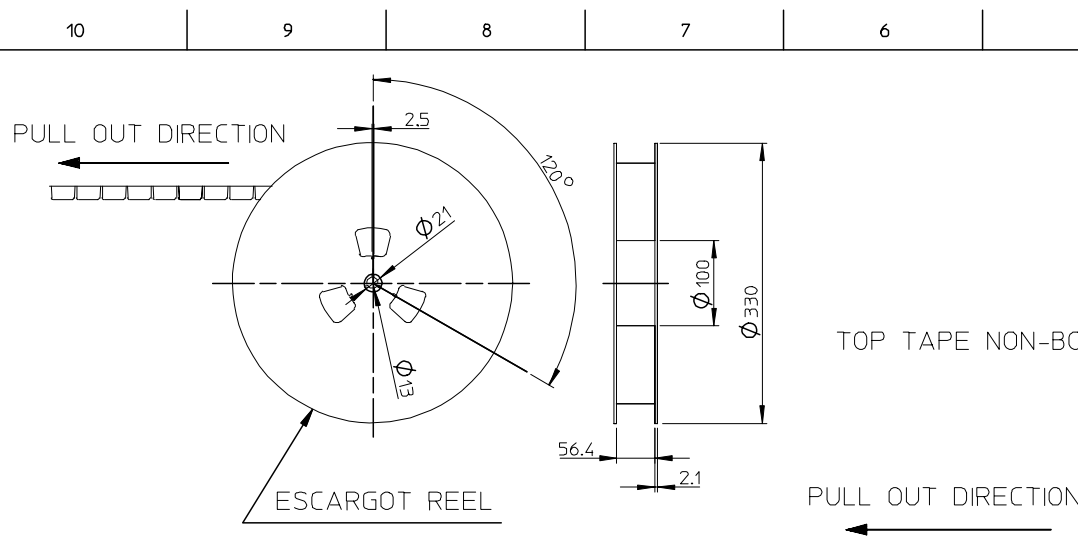


SD/MMC/SDIO CARD



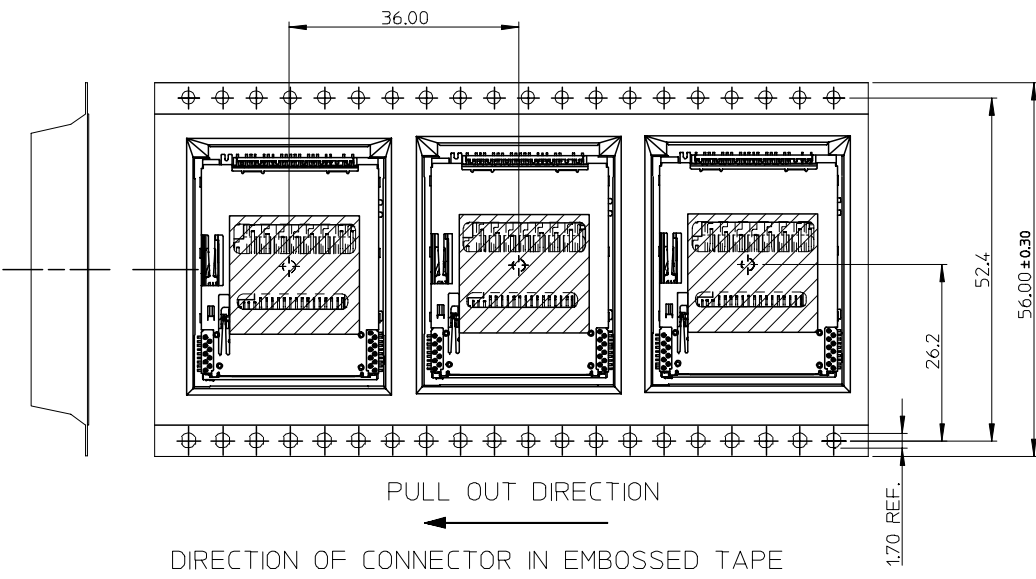
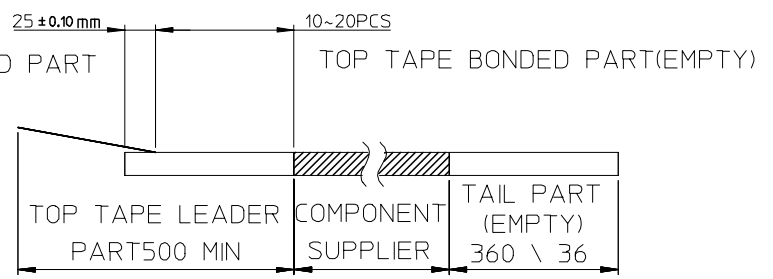
MS CARD

NEW PRODUCT EC NO: SH2006-0783 2006/06/09 DRWN: J.TIAN CHKD: GRMA APPR: JNCHEH 2006/08/02	QUALITY SYMBOLS ▽=0 ◻=0	GENERAL TOLERANCES (UNLESS SPECIFIED)		DIMENSION STYLE MM ONLY		SCALE 1:1	DESIGN UNITS METRIC	THIRD ANGLE PROJECTION		
		4 PLACES ± --- ± ---	DRAWN BY TXUE	DATE 2005/02/04	MEMORY COMBO CARD 4IN1 PUSH-PUSH BOTTOM TYPE					
		3 PLACES ± --- ± ---	CHECKED BY GRMA	DATE 2005/02/04						
		2 PLACES ± 0.25 ± ---	APPROVED BY YTYAP	DATE 2005/02/04	MATERIAL NO. 480001002		DOCUMENT NO. SD-48000-003	SHEET NO. 4 OF 5		
1 PLACE ± 0.3 ± ---	ANGULAR ± 1/2°		DRAFT WHERE APPLICABLE MUST REMAIN WITHIN DIMENSIONS			MOLEX INCORPORATED				

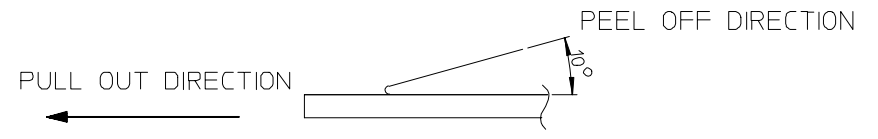


NOTES

1. NUMBER OF CONNECTORS:250 PCS/REEL



3. PEEL OFF FORCE OF TOP TAPE: 0.1~1.3 N (10.2~130gf)
 PEELING DIRECTION AS SHOWN IN FOLLOWING FIG.)
 (PEEL OFF SPEED: 300mm/min.REF.)



4. PACKAGING DRAWING REFERS TO PK-48000-***

NEW PRODUCT EC NO: SH2006-0783 DRWN: JIJIAN CHKD:GRWA APPR: INCHEM 2006/06/09 2006/08/02	QUALITY SYMBOLS ▽=0 ◻=0	GENERAL TOLERANCES (UNLESS SPECIFIED)		DIMENSION STYLE	SCALE	DESIGN UNITS	THIRD ANGLE PROJECTION	
				MM ONLY	1:1	METRIC		
		4 PLACES	± ---	± ---	DRAWN BY	DATE	TITLE	
		3 PLACES	± ---	± ---	TXUE	2005/02/04	MEMORY COMBO CARD 4IN1 PUSH-PUSH BOTTOM TYPE	
2 PLACES	± 0.25	± ---	2 PLACES	± 0.25	± ---	GRMA	2005/02/04	
1 PLACE	± 0.3	± ---	1 PLACE	± 0.3	± ---	APPROVED BY	DATE	
		ANGULAR ±1/2°		YTYAP	2005/02/04	MOLEX INCORPORATED		
		DRAFT WHERE APPLICABLE MUST REMAIN WITHIN DIMENSIONS		MATERIAL NO.	DOCUMENT NO.	SHEET NO.		
				480001002	SD-48000-003	5 OF 5		
				THIS DRAWING CONTAINS INFORMATION THAT IS PROPRIETARY TO MOLEX INCORPORATED AND SHOULD NOT BE USED WITHOUT WRITTEN PERMISSION				