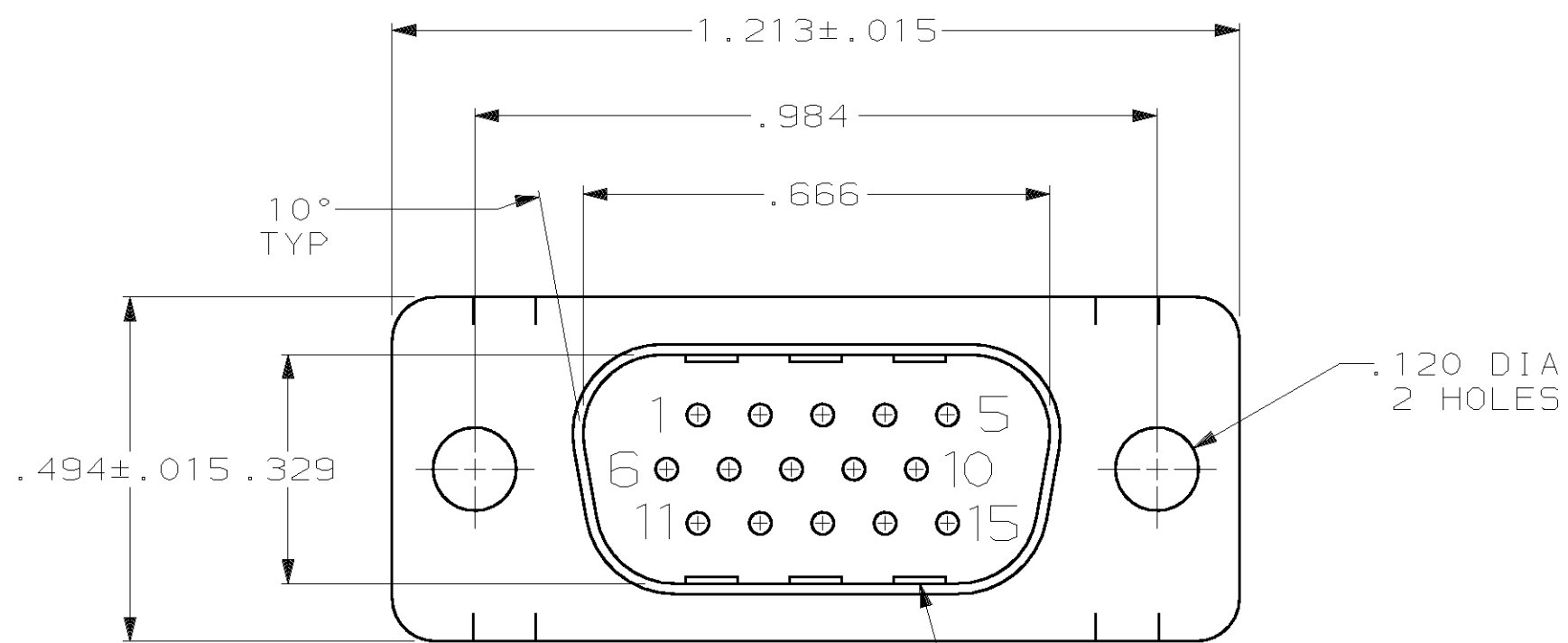


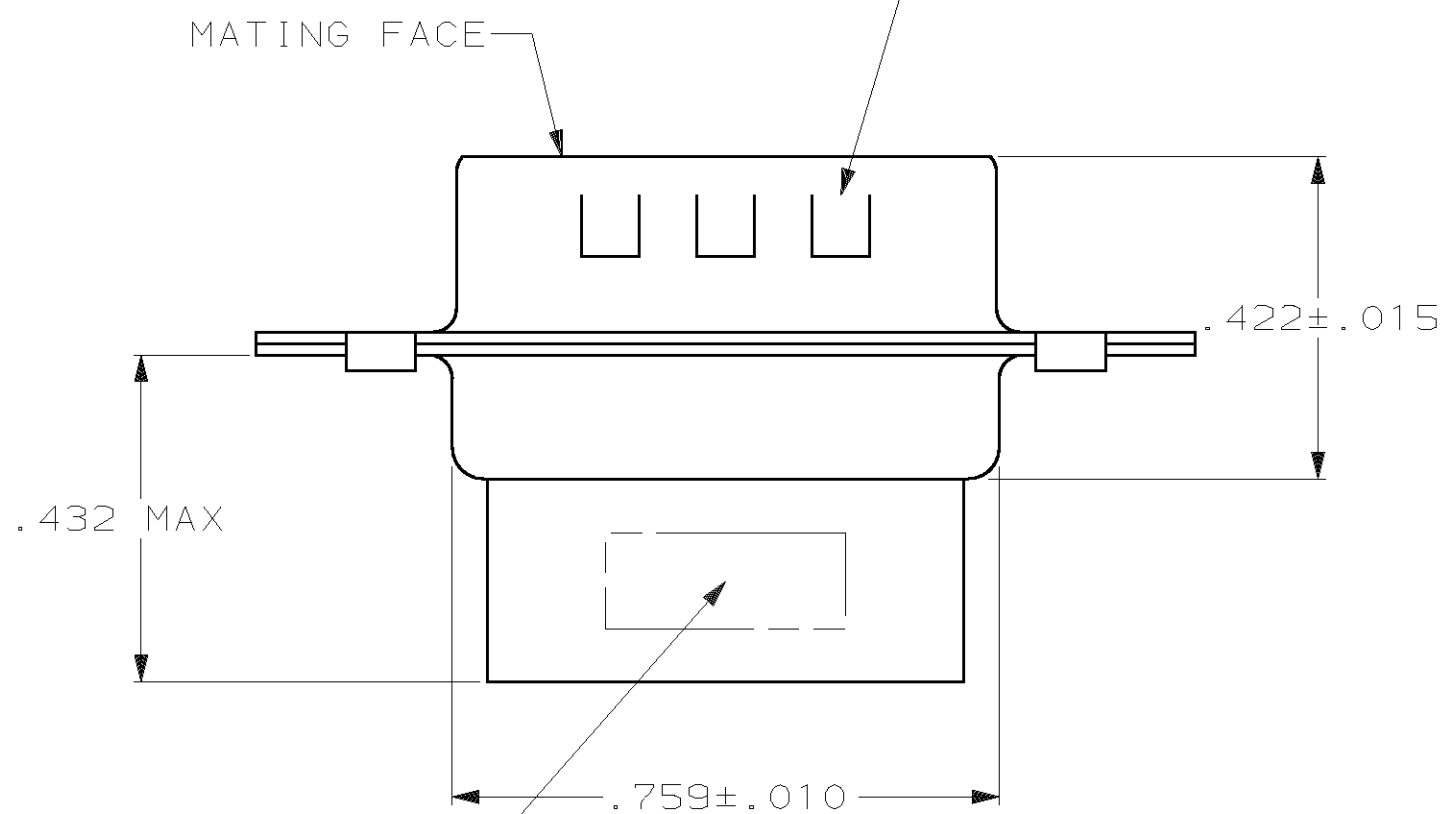
THIS DRAWING IS UNPUBLISHED. RELEASED FOR PUBLICATION, 19 .
 © COPYRIGHT 19 BY AMP INCORPORATED. ALL INTERNATIONAL RIGHTS RESERVED.

LOC		DIST		REVISIONS				DATE	APPD
BD	48	P	F	ZONE	LTR	DESCRIPTION	09/13/01	JR	
				F		REV PER EC OUID-0226-00			

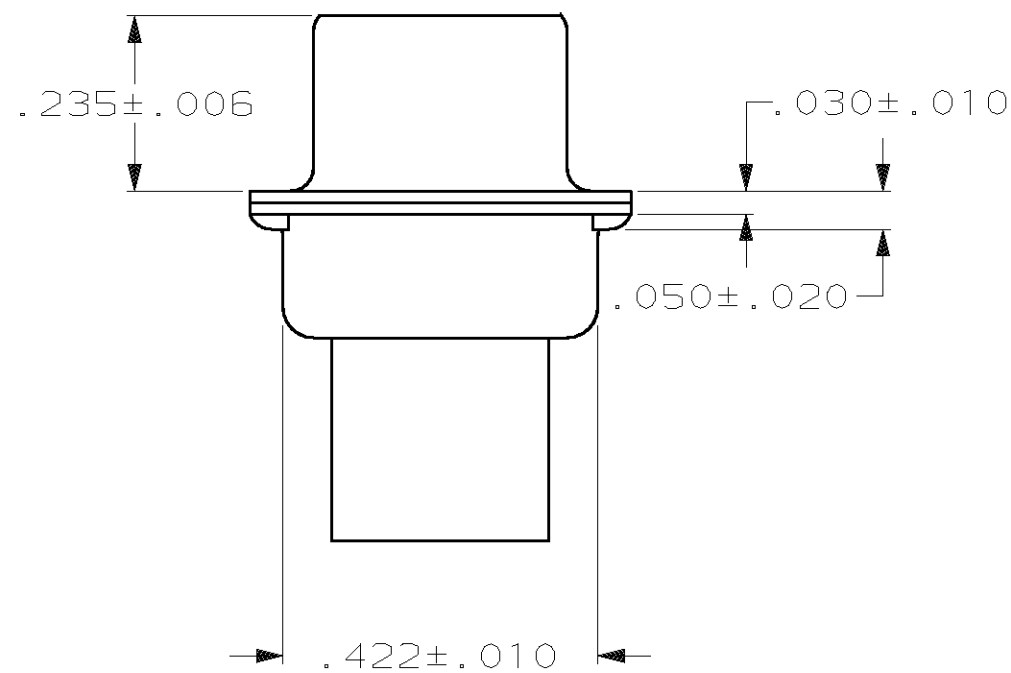


- CONNECTOR ACCEPTS SIZE 22 DF PIN CONTACTS, RETENTION TINES ARE AN INTEGRAL PART OF INSERT.
- NYLON, FLAME RETARDANT, 94V-0 RATED, GLASS FILLED, BLACK.
- STEEL PER ASTM A109.
- TIN OR TIN-LEAD PLATED PER MIL-T-10727.
- TIN PLATED PER MIL-T-10727 OVER COPPER PER MIL-C-14550.
- 748364-5 IS FOR AMP THAILAND. PART HAS CIRCUIT HOLE #9 BLOCKED.

GROUNDING INDENTS (SEE TABLE)



AMP, PART NO. & DATE CODE, MARKED IN AREA INDICATED, ON FAR SIDE



SUPERSEDED BY 748364-1	STANDARD	△5	YES	△6 748364-5
SUPERSEDED BY 748364-1	SMALL PACK	△5	YES	748364-4
OBSOLETE	STANDARD	△4	NO	748364-2
	STANDARD	△5	YES	748364-1

	PACKAGING TYPE	SHELL FINISH	GROUNDING INDENTS	PART NO
DO NOT SCALE PRINT. UNLESS SPECIFIED DIMENSIONS IN INCHES TOLERANCES ON : 2 PLC DEC ± - 3 PLC DEC ± .005 ANGLES ± 2°	DR 12-3-86 C.RICHARD			
MATERIAL	CHK 12-4-86 S.WELDON			
MOLDED PARTS: △2 SHELLS: △3	APPD 12-4-86 L.BREKOSKY			
FINISH	APPD 12-5-86 V.KUMAR			
SHELLS: SEE TABLE	PRODUCT SPEC -			
	APPLICATION SPEC -			
	WEIGHT -			

AMP AMP Incorporated
Harrisburg, PA 17105-3608

NAME
PLUG CONNECTOR, SIZE 1,
15 POSITION, AMPLIMITE™ HDP-22

SIZE C	CAGE CODE 00779	DRAWING NO C=748364
SCALE 4:1	SHEET 1 OF 1	

THIS DRAWING IS A CONTROLLED DOCUMENT FOR AMP INCORPORATED. IT IS SUBJECT TO CHANGE AND THE CONTROLLING ENGINEERING ORGANIZATION SHOULD BE CONTACTED FOR THE LATEST REVISION.