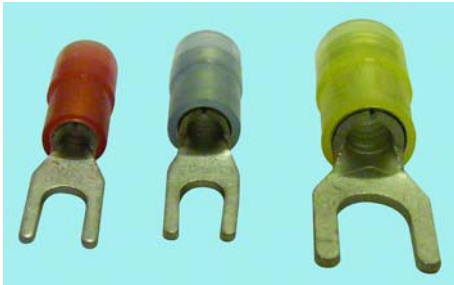


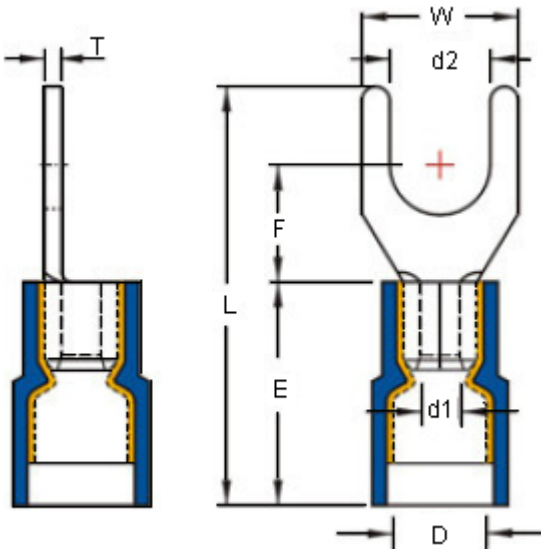
Crimp Terminal

Spade



Specifications:

Maximum electric current	:	AWG	22	20	18	16	14	12	10
		Amperes	9	12	17	18	30	35	50
Maximum electrical rating	:	105°C 600 volts.							
Insulation material	:	Nylon.							
Insulation colour	:	Red (22 to 16 AWG)							
	:	Blue (16 to 14 AWG)							
	:	Yellow (12 to 10 AWG).							
Terminal material	:	Copper.							
Double crimp	:	With copper sleeve on barrel.							
Packing	:	100 pieces.							



Dimensions : Inches (Millimetres)

Specification Table

Wire Range AWG (mm ²)	Stud Size	d2	Dimensions							Crimping Tool	Part Number
			W	F	L	E	D	d1	T		
22 to 16 (0.5 to 1.5)	#4	0.126 (3.2)	0.224 (5.70)	0.256 (6.50)	0.866 (22.00)	0.433 (11.00)	0.177 (4.50)	0.067 (1.70)	0.030 (0.75)	IZUMI Model 34 With Die Index Colour : Red Or K.S. Model KST2000B With Die Index Colour : Red	SNYD1-3.2
	#4										0.205 (5.20)
	#6	0.146 (3.7)	0.252 (6.40)						SNYDL1-3.7		
	#8	0.169 (4.3)	0.319 (8.10)				0.177 (4.50)	0.067 (1.70)	0.030 (0.75)		SNYDL1-4
	1/4	0.252 (6.4)	0.472 (12.00)	0.433 (11.00)	1.102 (28.00)						SNYDL1-6

Dimensions : Inches (Millimetres)

Crimp Terminal

Spade



Specification Table

Wire Range AWG (mm ²)	Stud Size	d2	Dimensions							Crimping Tool	Part Number
			W	F	L	E	D	d1	T		
12 to 10 (4 to 6)	#10	0.209 (5.3)	0.354 (9.00)	0.276 (7.00)	1.004 (25.50)	0.512 (13.00)	0.276 (7.00)	0.134 (3.40)	0.039 (1.00)	IZUMI Model 5 With Die Index Colour : Yellow Or K.S. Model KST2000B With Die Index Colour : Yellow	SNYD5-5
16 to 14 (1.5 to 2.5)	1/4	0.252 (6.4)	0.472 (12.00)	0.433 (11.00)	1.102 (28.00)	0.433 (11.00)	0.205 (5.20)	0.091 (2.30)	0.031 (0.80)	ZUMI Model 34 With Die Index Colour : Blue Or K.S. Model KST2000B With Die Index Colour : Blue	SNYDL2-6
	#8	0.169 (4.3)	0.311 (7.90)	0.256 (6.50)	0.866 (22.00)					SNYDM2-4	

Dimensions : Inches (Millimetres)

Disclaimer This data sheet and its contents (the "Information") belong to the Premier Farnell Group (the "Group") or are licensed to it. No licence is granted for the use of it other than for information purposes in connection with the products to which it relates. No licence of any intellectual property rights is granted. The Information is subject to change without notice and replaces all data sheets previously supplied. The Information supplied is believed to be accurate but the Group assumes no responsibility for its accuracy or completeness, any error in or omission from it or for any use made of it. Users of this data sheet should check for themselves the Information and the suitability of the products for their purpose and not make any assumptions based on information included or omitted. Liability for loss or damage resulting from any reliance on the Information or use of it (including liability resulting from negligence or where the Group was aware of the possibility of such loss or damage arising) is excluded. This will not operate to limit or restrict the Group's liability for death or personal injury resulting from its negligence. SPC Multicomp is the registered trademark of the Group. © Premier Farnell plc 2009.

<http://www.farnell.com>
<http://www.newark.com>
<http://www.cpc.co.uk>

