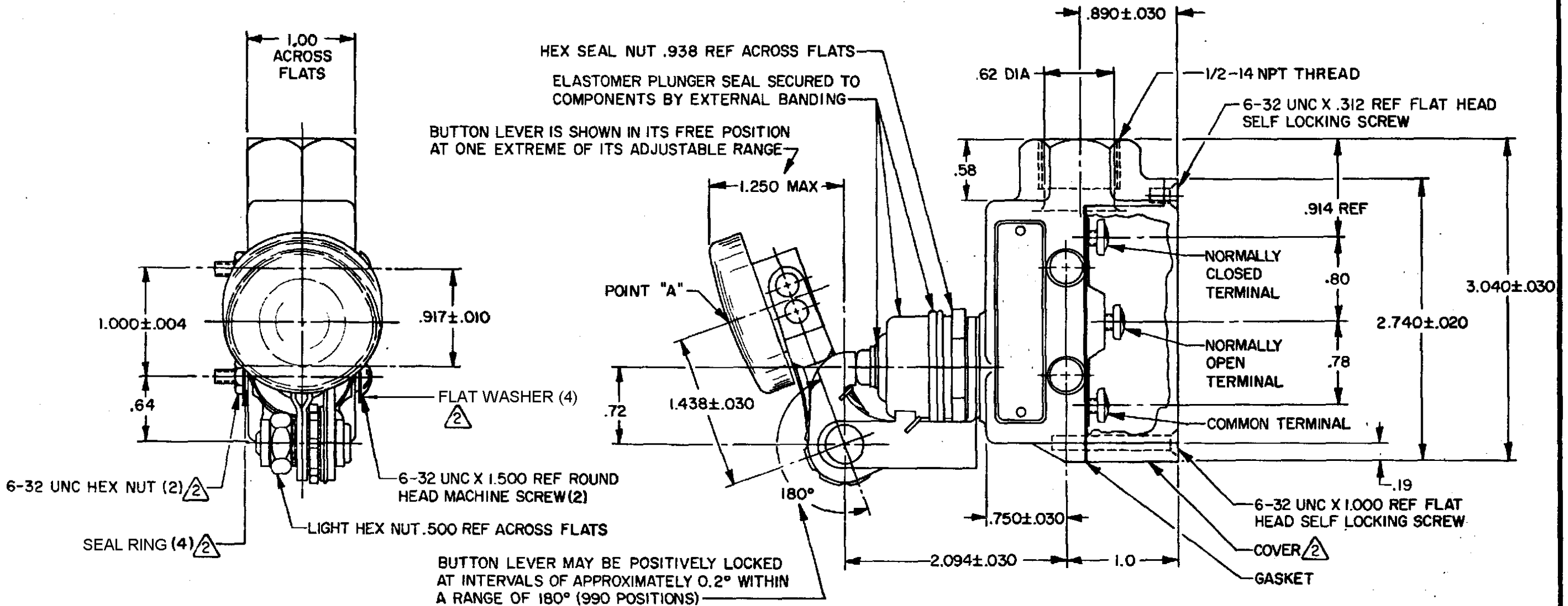


MICRO SWITCH
 FREEPORT, ILLINOIS, U.S.A.
 A DIVISION OF HONEYWELL
 FED. MFG. CODE 9188

SWITCH-ENCLOSED

CATALOG LISTING
BZE6-2RN4

BZE6-2RN4
 DRAWING NUMBER
 ISSUE 10
 RELEASE NO. 23 NOV 05
 BP
 CHECK
 REVISIONS
 A CO-38200 S L B 29 AUG 77
 B C053191P YSK 13 APR 84
 C C055989 J A P 8 NOV 84
 D C054958 G J W 7 JAN 85
 E C072476 MAN 4 SEP 92
 F CO-77179A K D R 17 FEB 94
 G 0017057 VKR 22 NOV 05
 29 AUG 77
 K P K 31
 CHECK
 DRAWN
 S L B



BUTTON LEVER MAY BE POSITIVELY LOCKED AT INTERVALS OF APPROXIMATELY 0.2° WITHIN A RANGE OF 180° (990 POSITIONS)

NOTES-

- 1 - 6-32 UNC X .219 REF BINDING HEAD TERMINAL SCREW AND CUPWASHER (3) FURNISHED UNASSEMBLED
- 2 - BUTTON LEVER BRACKET ASSEMBLY MAY BE SET AT ANY POSITION AROUND AXIS OF PLUNGER
- 4 - SEAL RATING: NEMA 1,3 IP54

THIS DRAWING COVERS A PROPRIETARY ITEM AND IS THE PROPERTY OF MICRO SWITCH, A DIVISION OF HONEYWELL. THIS DRAWING IS NOT TO BE COPIED OR USED WITHOUT THE APPROVAL OF MICRO SWITCH.

CHARACTERISTICS	ELECTRICAL DATA	SCALE FULL
OPERATING FORCE ——— 10-20 OZ	CONTACT ARRANGEMENT S P D T	DO NOT SCALE PRINT
RELEASE FORCE ——— 6 OZ MIN	15A-125, 250 OR 480 VAC, 2A-600 VAC 1/8 HP-125 VAC; 1/4 HP-250 VAC 1/2A-125 VDC; 1/4A-250 VDC CODE L74 CE 1.5A, 240 Vac	UNLESS OTHERWISE NOTED
PRETRAVEL ——— .188 MAX		DIMENSIONS ARE IN INCHES
DIFFERENTIAL TRAVEL ——— .006 MAX		TOLERANCES ARE:
OVERTRAVEL ——— .219 MIN		ONE PLACE (.0) ±.030
BASIC SWITCH REPLACEMENT ——— BZ-2RN702		TWO PLACE (.00) ±.015
		THREE PLACE (.000) ±.005
		ANGLES ±.005
		WEIGHT .71 LB