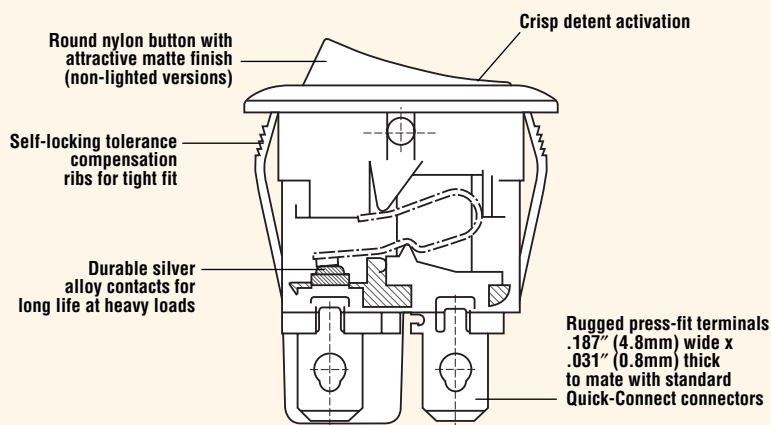


ROUND ROCKER SWITCH

RR Series

Features

- Single-pole and double-pole configurations
- Lighted and non-lighted options
- Available in a wide variety of colors
- High current switching in a compact round package
- Self-locking tabs to fit industry-standard panel cut-outs
- Mechanical life: min. 100,000 operations



Electrical Ratings

Switch Series	EN61058 Rating	UL1054 Rating	Electrical Life at Rated Load	
			According to VDE (Min. Operations)	According to UL (Min. Operations)
RR	10(4)A, 250V~, μ T125/55	10A, 125VAC; 8A, 250VAC, 1/4 HP; 125/250VAC	10,000	6,000

Specifications

Electrical

Dielectric Strength:	1000VAC for 1 minute
Insulation Resistance:	10 ⁹ ohms min at 500VDC
Initial Contact Resistance:	.020 ohms max
Temperature Range:	-20°C to +85°C

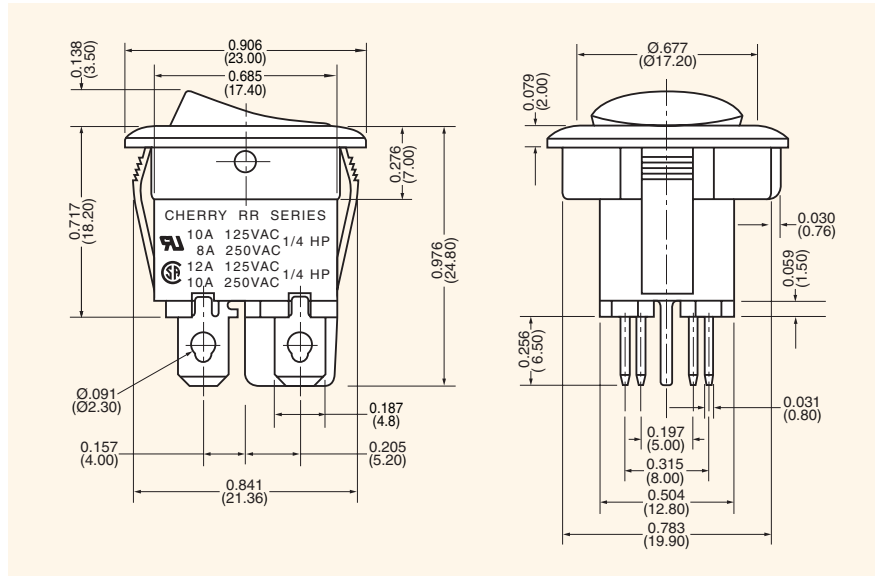
Materials

Actuator (non-lighted):	Nylon 66 94V-2
Actuator (lighted):	Polycarbonate
Base:	Nylon 66 94V-2
Contacts:	Silver Alloy
Movable Arm:	Copper Alloy
Terminals:	Tin-Plated Copper Alloy

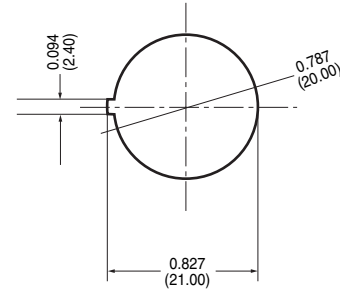




Dimensions inches (mm)



Panel Cut-Out Dimensions for Panel Thickness inches (mm) 0.039 to 0.078 (1.0 to 2.0)



Examples of Common Part Numbers and Descriptions inches (mm)

Part Number	Circuitry	Switch Function	Terminal Type	Actuator/Housing Color	Legend Marking
RRA22H3BBBNN		On - Off	0.187 (4.8) Quick-Connect	Black/ Black	
RRA32H3FBBNN		On - Off	0.187 (4.8) Quick-Connect	Black/ Black	
RRA22H3BWWNN		On - Off	0.187 (4.8) Quick-Connect	White/ White	
RRA22H3FBRNN		On - Off	0.187 (4.8) Quick-Connect	Red/ Black	
RRA22H3BBRLN		On - Off/Lighted	0.187 (4.8) Quick-Connect	Red/ Black	
RRA32H3BBRLN		On - Off/Lighted	0.187 (4.8) Quick-Connect	Red/ Black	

Ordering Information

Code	Contact Rating	Code	Terminal Type inches (mm)	Code	Actuator Marking	Code	Actuator Color	Code	Body Type
RR	A 10A, 125VAC; 8A, 250VAC; 1/4HP, 125/250VAC (UL) 12A, 125VAC; 10A, 250VAC; 1/4HP, 125/250VAC (CSA) 10(4)A, 250V~, μT125/55 (VDE)	2	H 0.187 (4.8) QC	H	B Blank	B	B Black	N	N Non-Lighted
A		3	L PC Thru-Hole Right Angle	D	O I	G	G Green	L	L Lighted (Bulb 125VAC)
2		M PC Thru-Hole Straight	E	O -	F	O -	A	A Amber	E
2				G	.	R	R Red	G	G Lighted 6VDC Incandescent
H						W	W White	H	H Lighted 12VDC Incandescent
3						Y	Y Grey		
F						C	C Brown		
B						E	E Charcoal Grey		
B									
N									
N									