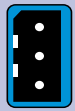




Connectors for mains connection



ST-series



Product description


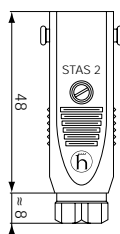

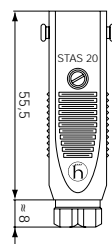

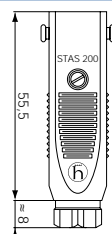

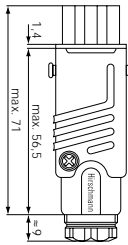
Compact connectors for mains and control lead connections.

- Robust design, by a safety bracket, vibration-proof plug connection, can be assembled as required and moulded-on versions 2-, 3-, 4-, 5-pole + PE
- Panel-mounted as well as surface-mounted versions of connector and socket

- Protection against dust and splashes
- International approvals for worldwide use: VDE, SEV, NEMKO, SEMKO, UL
- Colour of product: grey

Basic data

Operating voltage: 250 V AC / DC, (400 V AC 3-pole)
 Operating current: 10 A AC / DC (16 A AC 3-pole)
 Protection class: IP 54
 Pollution severity class: 3
 Lead cross-section: 6mm - 12mm
 Contact surface: Sn/5-pole Ag
 Type of connection: screw / crimp
 Connection cross-section: max 1.5mm²

Type		Number of poles	Description	Order no.
		2 + PE	Cable connector without strain relief Operating current: 16 A AC / 10 A DC Product without approvals	930 620-106
		2 + PE	Cable connector with strain relief Operating current: 16 A AC / 10 A DC Product without approvals	931 265-106
		2 + PE	Cable connector with strain relief and coding fin Operating current: 16 A AC / 10 A DC	932 038-106
		3 + PE	Cable connector with strain relief Operating current: 16 A AC / 10 A DC	932 143-100 black 932 143-106 grey