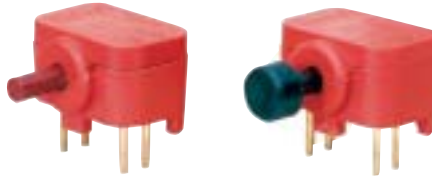


SERIES 39 SPST and SPDT, 1/4 Amp

FEATURES

- Fully Protected During Flux Cleaning Operations

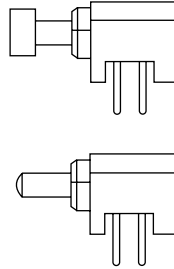
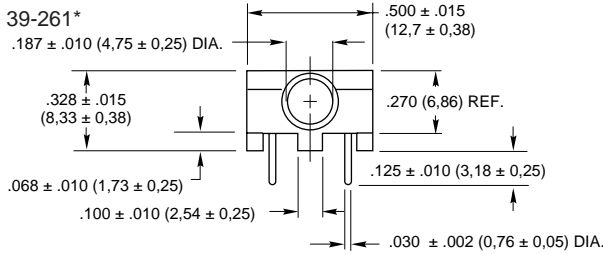


DIMENSIONS In Inches (and millimeters)

SPDT-PC Mount Large Button Style

39-261*

.187 ± .010 (4,75 ± 0,25) DIA.



Rating at 28 Vdc Resistive	Rating at 115 Vac Resistive	Rating at 220 Vac Resistive	Operations at Rated Load	Partial Part Number
150 mA	1/4 Amp	1/8 Amp	500,000	39-251* 39-261*

Action	Total Travel	Actuating Force (oz.)
Momentary	.090 + .010 / - .015 (2,29 + 0,25 / - 0,38)	10 ± 3 oz.

.250 ± .010 (6,35 ± 0,25) DIA.

.084 ± .005 (2,13 ± 0,13) DIA.

.050 ± .005 (1,27 ± 0,13)

.400 ± .015 (10,16 ± 0,38)

.340 ± .015 (8,64 ± 0,38)

.050 ± .005 (1,27 ± 0,13) TYP.

.090 ± .010 (2,29 ± 0,25)

.100 ± .010 (2,54 ± 0,25)

.100 ± .010 (2,54 ± 0,25)

.300 ± .010 (7,62 ± 0,25)

.100 ± .005 (2,54 ± 0,13)

.250 ± .015 (6,35 ± 0,38)

.060 (1,52) REF.

.100 ± .015 (2,54 ± 0,38)

.100 ± .010 (2,54 ± 0,25)

.100 ± .010 (2,54 ± 0,25)

.100 ± .010 (2,54 ± 0,25)

.100 ± .010 (2,54 ± 0,25)

.100 ± .010 (2,54 ± 0,25)

.100 ± .010 (2,54 ± 0,25)

.100 ± .010 (2,54 ± 0,25)

.100 ± .010 (2,54 ± 0,25)

.100 ± .010 (2,54 ± 0,25)

.100 ± .010 (2,54 ± 0,25)

.100 ± .010 (2,54 ± 0,25)

.100 ± .010 (2,54 ± 0,25)

.100 ± .010 (2,54 ± 0,25)

.100 ± .010 (2,54 ± 0,25)

.100 ± .010 (2,54 ± 0,25)

.100 ± .010 (2,54 ± 0,25)

.100 ± .010 (2,54 ± 0,25)

.100 ± .010 (2,54 ± 0,25)

.100 ± .010 (2,54 ± 0,25)

.100 ± .010 (2,54 ± 0,25)

.100 ± .010 (2,54 ± 0,25)

.100 ± .010 (2,54 ± 0,25)

.100 ± .010 (2,54 ± 0,25)

.100 ± .010 (2,54 ± 0,25)

.100 ± .010 (2,54 ± 0,25)

.100 ± .010 (2,54 ± 0,25)

.100 ± .010 (2,54 ± 0,25)

.100 ± .010 (2,54 ± 0,25)

.100 ± .010 (2,54 ± 0,25)

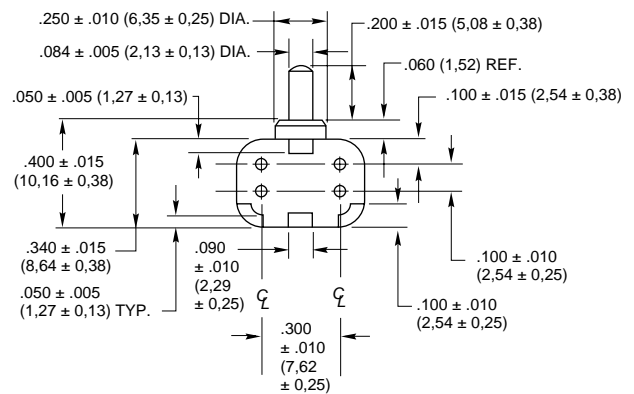
.100 ± .010 (2,54 ± 0,25)

.100 ± .010 (2,54 ± 0,25)

Small Button Style

39-251*

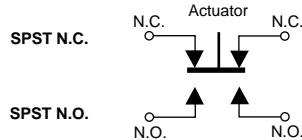
END OF BUTTON HAS A .200 (5,08) SPHERICAL RADIUS



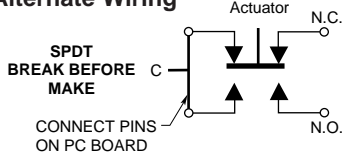
Pushbutton Switches

CIRCUITRY

2 Circuits Per Switch



Alternate Wiring



SPECIFICATIONS

Rating Criteria

Contact Resistance: 25 milliohms maximum on a new switch

Voltage Breakdown: 1,000 Vac between mutually insulated parts

Insulation Resistance: 1,000 megohms minimum

Operating Temperature: -40°C to +125°C

Materials and Finishes

Button: Nylon

Base and Cover: Polyester, red in color

Shorting Bar: Phosphor bronze, gold-plated over nickel

Terminals: Brass, gold-plated over nickel

Spring: Tinned music wire

O-Ring: Fluorosilicone

ORDERING INFORMATION

*Complete Part Number	Description
39-251 RED	Small Red Button, SPDT
39-251 BLK	Small Black Button, SPDT
39-261 RED	Large Red Button, SPDT
39-261 BLK	Large Black Button, SPDT

Available from your local Grayhill Distributor. For prices and discounts, contact a local Sales Office, an authorized local Distributor or Grayhill.