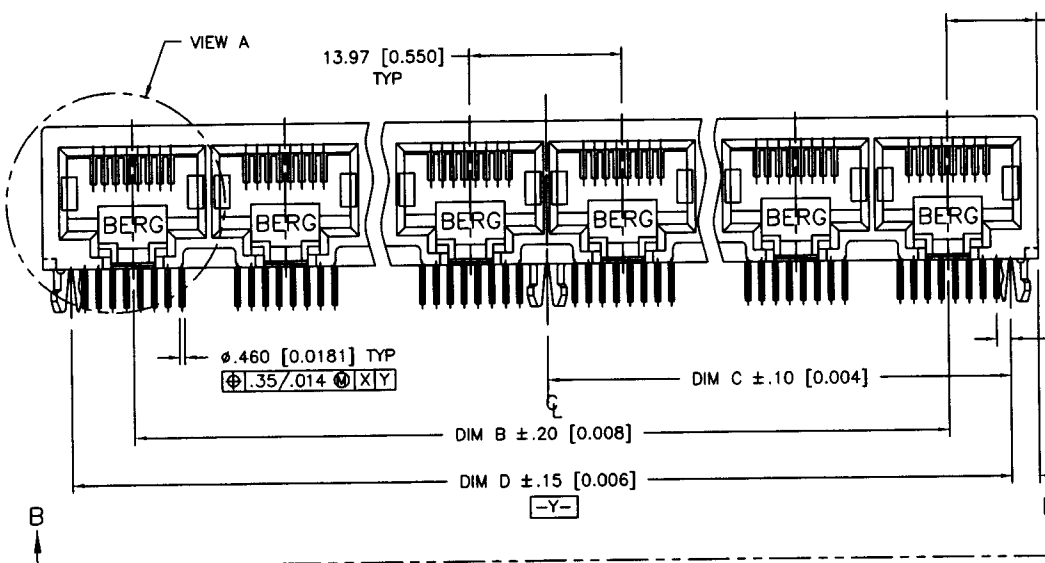
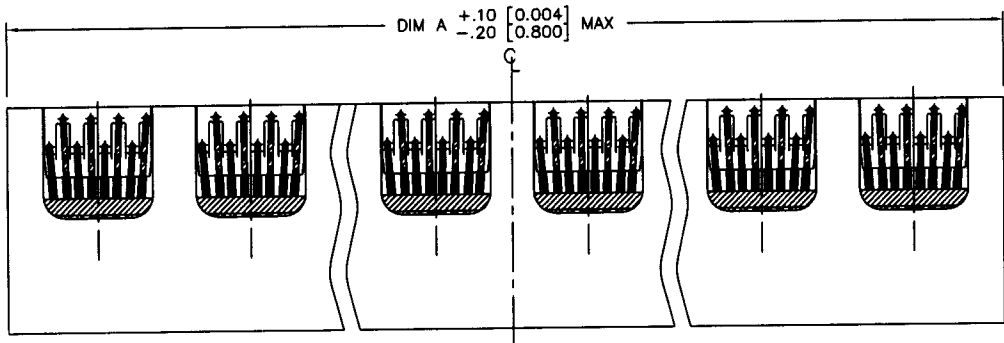


Tous droits strictement réservés. Reproduction ou communication a des tiers interdite sous quelque forme que ce soit sans autorisation écrite du propriétaire. Propriété de © BERG ELECTRONICS. Droits de reproduction BERG ELECTRONICS INC.

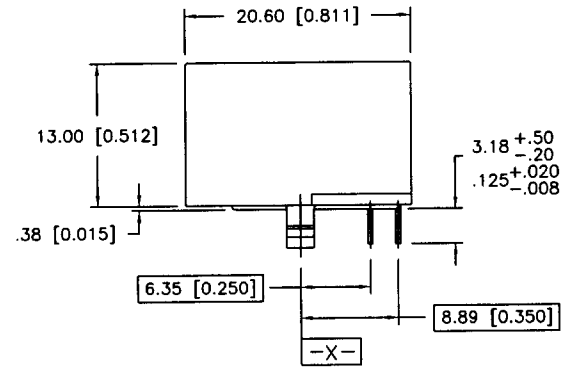


All rights strictly reserved. Reproduction or issue to third parties in any form whatever is not permitted without written authority from the proprietor. Property of © BERG ELECTRONICS Copyright BERG ELECTRONICS INC.

PRODUCT NO.  
94911-XXX



8.26 [0.325] -X02 THRU -X12  
7.62 [0.300] -X01



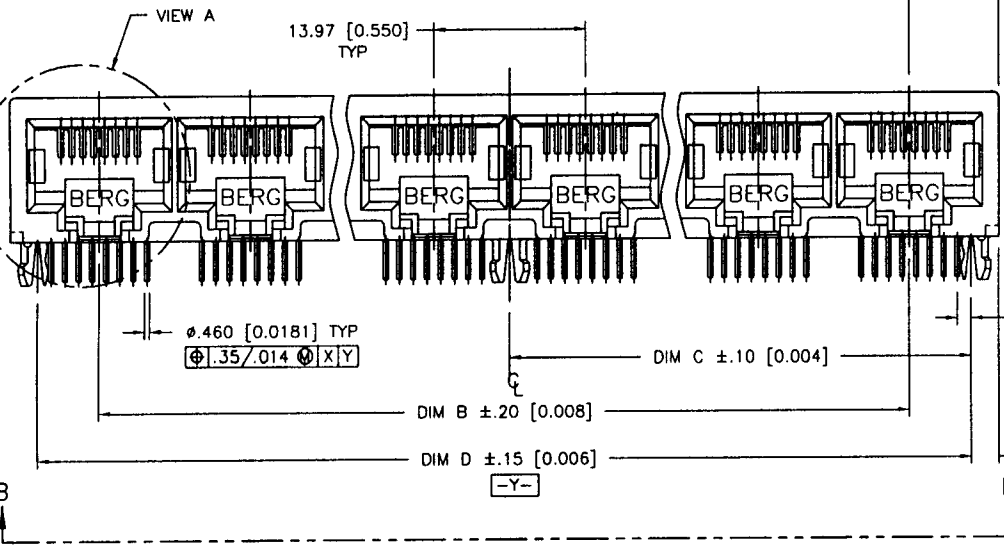
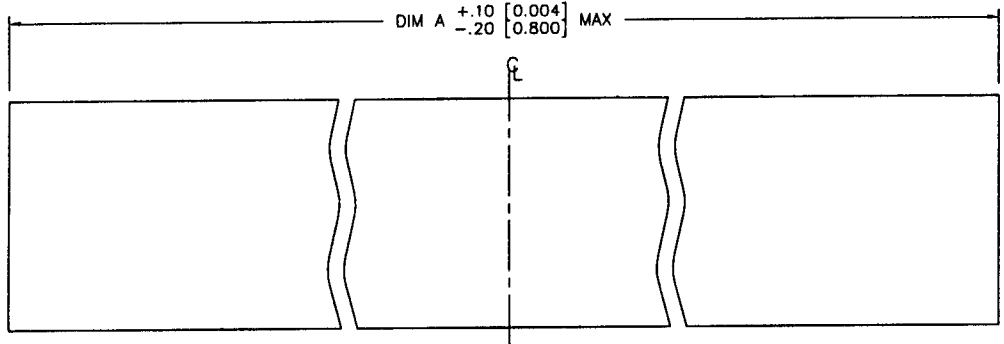
2.54 [0.100] -X02 THRU -X12  
1.91 [0.075] -X01

mat'l. code				tolerances unless otherwise specified			CUSTOMER COPY		<b>BERG ELECTRONICS</b>	
ltr	ecn no	dr	date	linear	.XX±.13/.XXX±.005		projection	title		
H	T80171	CATHY	6/10/98		.XXX±.051/.XXX±.0020			R/A. 8 POS GANG JACK. ASSY UNSHIELDED, SNAP PEG		
J	VB1304	RGD	7/13/98	angles	0±2°		mm/INCH	product family MOD JACK		code
				dr	KCHOU	5/5/94		scale	size	
				enr	TC	5/5/94	1:1		A4	
				chr	JTSAO	5/5/94				
				appd	JTSAO	5/5/94				
sheet index	revision sheet	J	H	H	H	H				
		1	2	3	4	5				

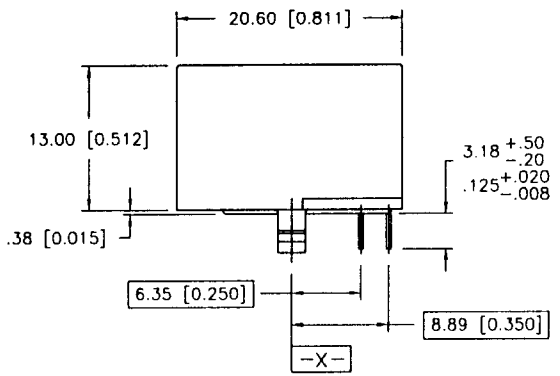
Tous droits strictement réservés. Reproduction ou communication o des tiers interdite sous quelque forme que ce soit sans autorisation écrite du propriétaire. Propriété de ©BERG ELECTRONICS. Droits de reproduction BERG ELECTRONICS INC.

All rights strictly reserved. Reproduction or issue to third parties in any form whatever is not permitted without written authority from the proprietor. Property of ©BERG ELECTRONICS Copyright BERG ELECTRONICS INC.

PRODUCT NO.  
94911-XXXM



8.26 [0.325] -X02M THRU -X12M  
7.62 [0.300] -X01M



2.54 [0.100] -X02M THRU -X12M  
1.91 [0.075] -X01M

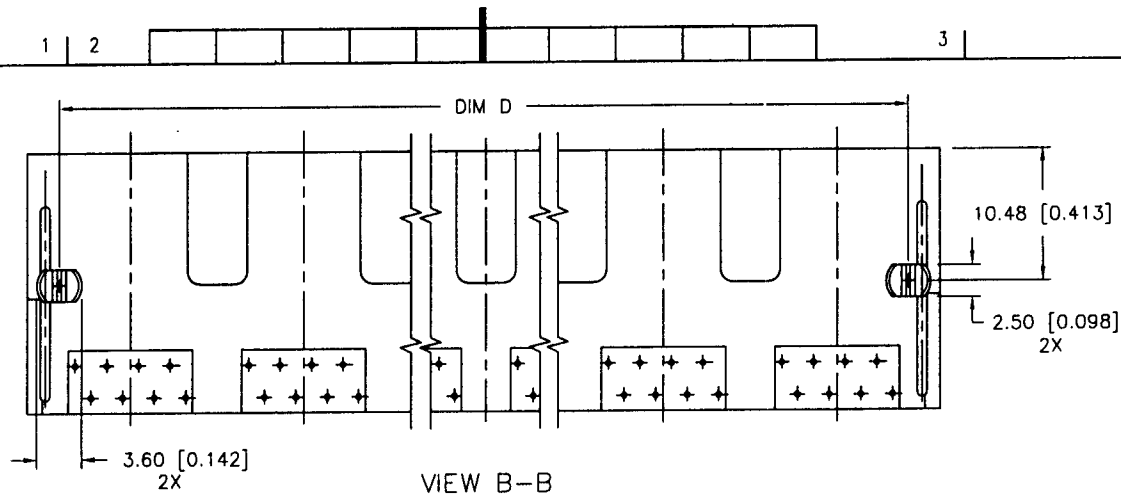
mat'l. code				tolerances unless otherwise specified		CUSTOMER COPY		<b>BERG ELECTRONICS</b>	
ltr	ecr	no	dr	date	linear	.X±.3/.XX±.01	projection		
H						.XX±.13/.XXX±.005		product family MOD JACK size dwg no	
					angles	.XXX±.051/.XXXX±.0020			mm/INCH
					dr	0°±2'	scale 1:1	sheet 2 of	
					enr	KCHOU 5/5/94			A4
					chr	TC 5/5/94	cage code 22526	4	
					oppd	JTSAO 5/5/94			
sheet index	revision sheet								

Tous droits strictement réservés. Reproduction ou communication a des tiers interdite sous quelque forme que ce soit sans autorisation écrite du propriétaire. Propriété de ©BERG ELECTRONICS. Droits de reproduction BERG ELECTRONICS INC.

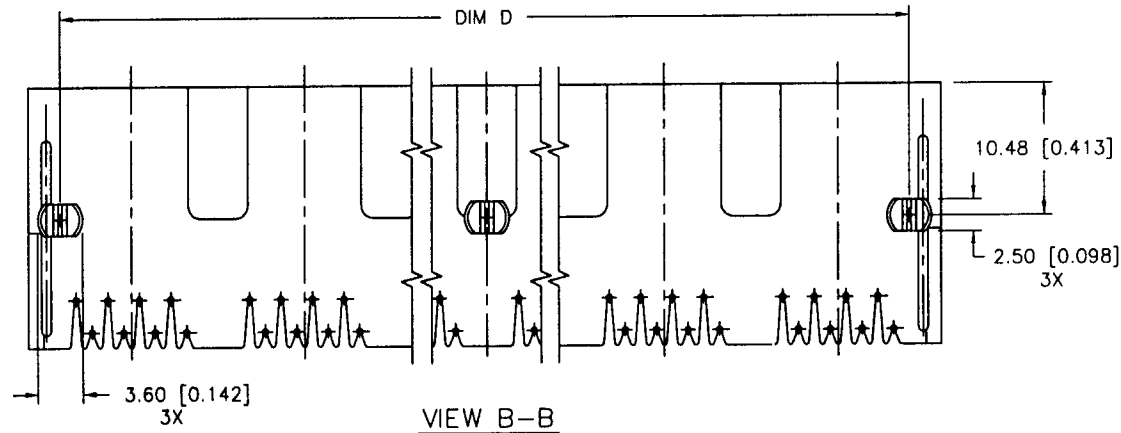


All rights strictly reserved. Reproduction or issue to third parties in any form whatever is not permitted without written authority from the proprietor. Property of ©BERG ELECTRONICS Copyright BERG ELECTRONICS INC.

PRODUCT NO.  
SEE TABLE



VIEW B-B  
-XXX PRODUCT ONLY (WITHOUT CENTER PEG - SEE NOTE 4)



VIEW B-B  
-XXXM PRODUCT ONLY (WITH CENTER PEG - SEE NOTE 3)

mat'l. code		tolerances unless otherwise specified		CUSTOMER COPY		<b>BERG ELECTRONICS</b>		
ltr	ecn no	dr	date	linear	projection	title		
H						R/A. 8 POS GANG JACK. ASSY UNSHIELDED, SNAP PEG		
						product family MOD JACK		code
				angles	mm/INCH	size	dwg no	
				dr		scale	A4	94911
				engr	1:1			
				chr		3 of		
				appd				
sheet index	revision sheet							

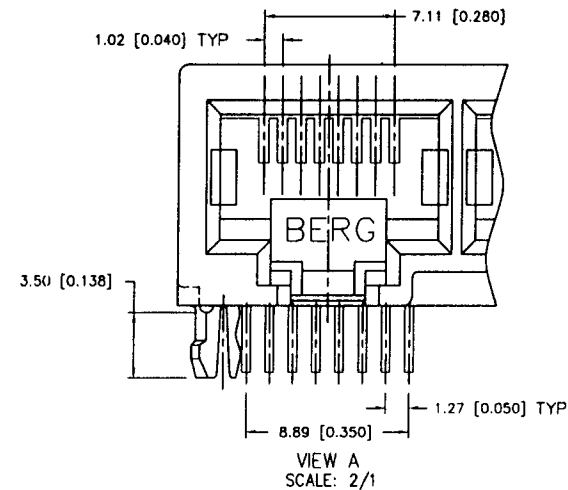
Tous droits strictement reserves. Reproduction ou communication a des tiers interdit sans quelque forme que ce soit sans autorisation écrite du propriétaire.  
 Propriete de ©BERG ELECTRONICS. Droits de reproduction BERG ELECTRONICS INC.

All rights strictly reserved. Reproduction or issue to third parties in any form whatever is not permitted without written authority from the proprietor.  
 Property of ©BERG ELECTRONICS Copyright BERG ELECTRONICS INC.



PRODUCT No.	NO OF PORTS	DIM A $\begin{matrix} +.10 \\ -.20 \end{matrix}$ [0.004/0.008]	DIM B	DIM C $\pm .10$ [0.004]	DIM D $\pm .15$ [0.006]
94911-X01M	1	15.24 [0.600]	-----	5.72 [0.225]	11.43 [0.450]
94911-X02M	2	30.48 [1.200]	13.97 [0.550]	12.70 [0.500]	25.40 [1.000]
94911-X03M	3	44.45 [1.750]	27.94 [1.100]	19.69 [0.775]	39.37 [1.550]
94911-X04M	4	58.42 [2.300]	41.91 [1.650]	26.67 [1.050]	53.34 [2.100]
94911-X05M	5	72.39 [2.850]	55.88 [2.200]	33.66 [1.325]	67.31 [2.650]
94911-X06M	6	86.36 [3.400]	69.85 [2.750]	40.64 [1.600]	81.28 [3.200]
94911-X07M	7	100.33 [3.950]	83.82 [3.300]	47.63 [1.875]	95.25 [3.750]
94911-X08M	8	114.30 [4.500]	97.79 [3.850]	54.61 [2.150]	109.22 [4.300]
94911-X08L	8	114.30 [4.500]	97.79 [3.850]	54.61 [2.150]	109.22 [4.300]
94911-X09M	9	128.27 [5.050]	111.76 [4.400]	61.60 [2.425]	123.19 [4.850]
94911-X10M	10	142.24 [5.600]	125.73 [4.950]	68.58 [2.700]	137.16 [5.400]
94911-X11M	11	156.21 [6.150]	139.70 [5.500]	75.57 [2.975]	151.13 [5.950]
94911-X12M	12	170.18 [6.700]	153.67 [6.050]	82.55 [3.250]	165.10 [6.500]

PRODUCT No.	NO OF PORTS	DIM A $\begin{matrix} +.10 \\ -.20 \end{matrix}$ [0.004/0.008]	DIM B	DIM C $\pm .10$ [0.004]	DIM D $\pm .15$ [0.006]
94911-X01	1	15.24 [0.600]	-----	5.72 [0.225]	11.43 [0.450]
94911-X02	2	30.48 [1.200]	13.97 [0.550]	12.70 [0.500]	25.40 [1.000]
94911-X03	3	44.45 [1.750]	27.94 [1.100]	19.69 [0.775]	39.37 [1.550]
94911-X04	4	58.42 [2.300]	41.91 [1.650]	26.67 [1.050]	53.34 [2.100]
94911-X05	5	72.39 [2.850]	55.88 [2.200]	33.66 [1.325]	67.31 [2.650]
94911-X06	6	86.36 [3.400]	69.85 [2.750]	40.64 [1.600]	81.28 [3.200]
94911-X07	7	100.33 [3.950]	83.82 [3.300]	47.63 [1.875]	95.25 [3.750]
94911-X08	8	114.30 [4.500]	97.79 [3.850]	54.61 [2.150]	109.22 [4.300]
94911-X09	9	128.27 [5.050]	111.76 [4.400]	61.60 [2.425]	123.19 [4.850]
94911-X10	10	142.24 [5.600]	125.73 [4.950]	68.58 [2.700]	137.16 [5.400]
94911-X11	11	156.21 [6.150]	139.70 [5.500]	75.57 [2.975]	151.13 [5.950]
94911-X12	12	170.18 [6.700]	153.67 [6.050]	82.55 [3.250]	165.10 [6.500]



PLATING CODE X	PLATING
0	.76uM/30u" G.X.T.
1	.38uM/15u" GOLD
3	.76uM/30u" GOLD
5	1.27uM/50u" GOLD

NOTES:

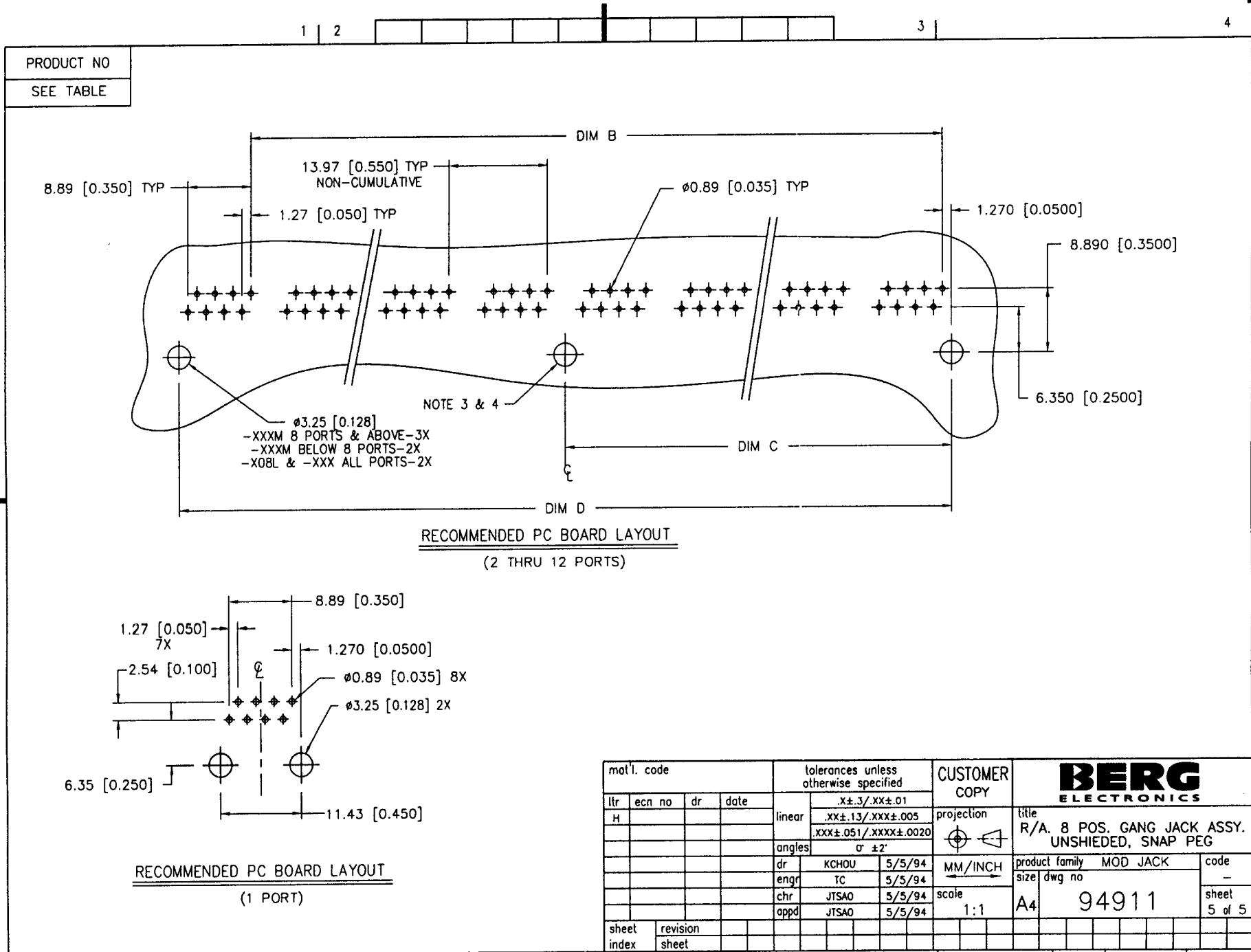
1. APPLICABLE PC BOARD THICKNESS: 1.60 [0.062].
2. CONTACTS: PHOSPHOR BRONZE ALLOY UNS-C51000,  $\phi$  .460 [0.0181] ROUND WIRE, SEE TABLE FOR PLATING.
- ③ CENTER PEG FOR 8 PORTS AND ABOVE, (-XXXM PRODUCT ONLY).
- ④ NO CENTER PEG FOR P/N 94911-008L, AND -XXX PRODUCT.

mat'l. code		tolerances unless otherwise specified		CUSTOMER COPY		<b>BERG ELECTRONICS</b>	
ltr	ecn no	dr	date	linear	projection	title	
H						R/A. 8 POS. GANG JACK ASSY. UNSHIEDED, SNAP PEG	
				angles	MM/INCH	product family MOD JACK	
				dr		size	
				enrg	scale	dwg no	
				chr	1:1	A4	
				appd		94911	
sheet index	revision sheet					sheet 4 of	

Tous droits strictement reserves. Reproduction ou communication a des tiers interdite sous quelque forme que ce soit sans autorisation écrite du propriétaire. Propriété de © BERG ELECTRONICS. Droits de reproduction BERG ELECTRONICS INC.



All rights strictly reserved. Reproduction or issue to third parties in any form whatever is not permitted without written authority from the proprietor. Property of © BERG ELECTRONICS Copyright BERG ELECTRONICS INC.



RECOMMENDED PC BOARD LAYOUT  
(2 THRU 12 PORTS)

RECOMMENDED PC BOARD LAYOUT  
(1 PORT)

mat'l. code		tolerances unless otherwise specified		CUSTOMER COPY		<b>BERG ELECTRONICS</b>	
ltr	ecn no	dr	date	.X±.3/.XX±.01		title	
H				linear	.XX±.13/.XXX±.005	R/A. 8 POS. GANG JACK ASSY. UNSHIEDED, SNAP PEG	
				angles	.XXX±.051/.XXXX±.0020	product family MOD JACK	
				dr	KCHOU 5/5/94	code	
				engr	TC 5/5/94	-	
				chr	JTSAO 5/5/94	size dwg no	
				appd	JTSAO 5/5/94	A4 94911	
sheet index	revision sheet					sheet 5 of 5	
						cage code 22526	