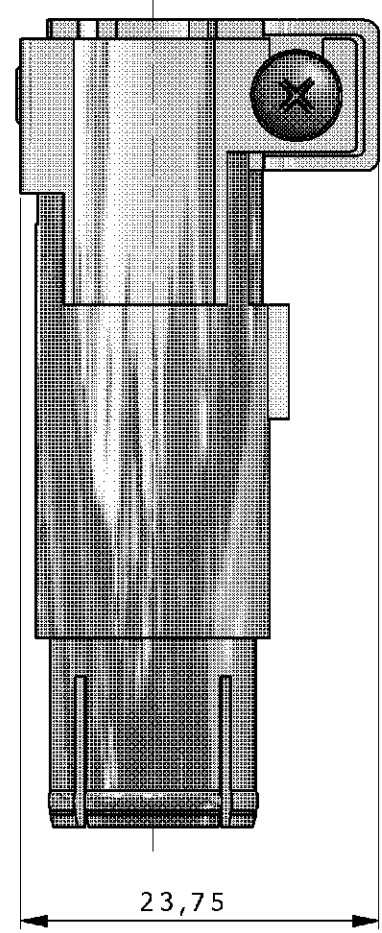
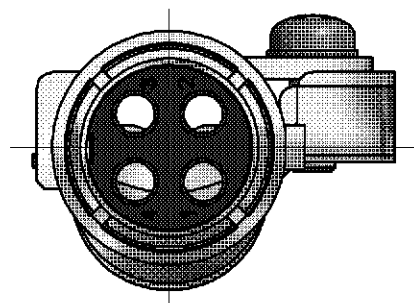
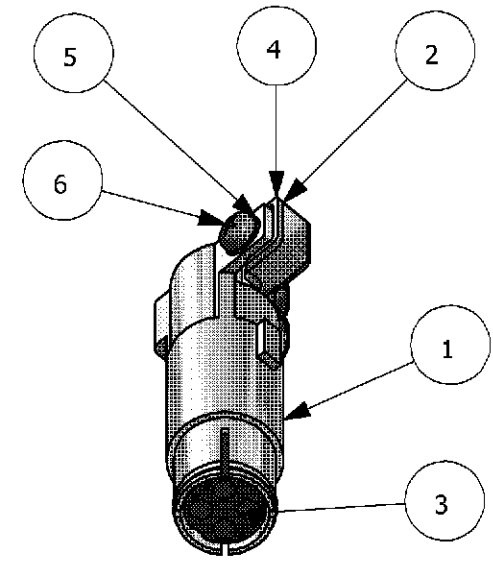
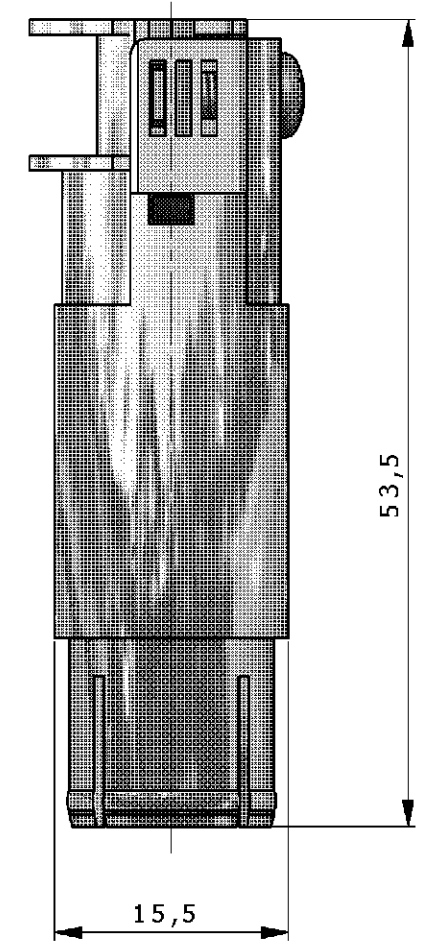
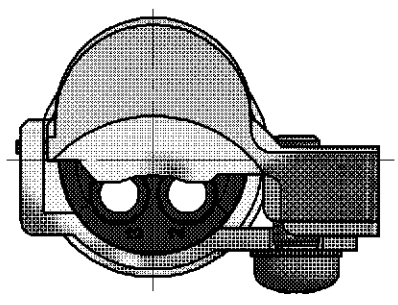


CONTACT ARRANGEMENT:
VIEW FROM CONNECTING SIDE



CONTACT ARRANGEMENT:
VIEW FROM TERMINATION SIDE



0-1 as shown
HVS-TX.HN.D.4.Bu.C

NOTES

- 1 SUITABLE CRIMP CONTACTS: SERIES HN.D
CUSTOMER DRAWING: 1105051
OUTER DIMENSIONS OF INSULATION: MAX. Ø4 MM
- 2 SUITABLE MODULE FIXING FRAME: SERIES HVS SIZE 3 TO 8
CUSTOMER DRAWING: 1103250
- 3 SUITABLE INSERTION TOOL:
CUSTOMER DRAWING: 1102855
- 4 SUITABLE EXTRACTION TOOL:
CUSTOMER DRAWING: 1102855
- 5 STANDARDS:
DIN EN 61984; DIN EN 60664-1
- 6 POLARIZATION RIPS
- 7 MARKING OF POLARIZATION ACCORDING MARKING OF
MODULE FRAME
- 8 PACKAGING:
10 SETS IN A CARTON, PRE-MOUNTED

QTY.	DESCRIPTION	MATERIAL	SURFACE	COLOR	NOTE	ITEM
1	SCREW	STEEL	-	-	ISO 7045 A2	6
1	SPRING WASHER, A3	STEEL	ZINC PLATED	-	DIN 137	5
1	CLOSING 3-6 MM	ZINC	-	-	-	4
1	CONTACT INSERT FEMALE	PA6.6-GF25	-	BLACK	-	3
1	CLOSING 6-9 MM	ZINC	-	-	-	2
1	SHIELD BARREL FEMALE	ZINC	ZINC PLATED	-	-	1

PARTS LIST

<p style="font-size: 6px;">THIS DRAWING IS A CONTROLLED DOCUMENT FOR AMP INCORPORATED. IT IS SUBJECT TO CHANGE AND THE CONTROLLING ENGINEERING ORGANIZATION SHOULD BE CONTACTED FOR THE LATEST REVISION. DIESES ZEICHNUNGSDOKUMENT WIRD DURCH AMP INCORPORATED KONTROLLIERT. ÄNDERUNGEN, DIE DEM TECHNISCHEN FORTSCHRITT DIENEN, SIND VORBEHALTEN. DEM JEWEILS LETZTGÜLTIGEN ÄNDERUNGSSTAND ERFAHREN SIE AUF ANFRAGE.</p> <p>DIMENSIONS: DIMENSIONEN: m m</p> <p>TOLERANCES UNLESS OTHERWISE SPECIFIED: ALLGEMEINTOLERANZEN</p> <p>n. ISO 8013 - n. ISO 2768 - mH-E n. DIN 16901- 140</p> <p>0 PLC # 1 PLC # 2 PLC # 3 PLC # ANGLES / WINKEL #</p> <p>MATERIAL</p>	<p>DWN SCHNEIDER 21.02.2006</p> <p>CHK A.GAST 21.02.2006</p> <p>APVD T.SCHNURPFEL 21.02.2006</p> <p>PRODUCT SPEC. 108-74086</p> <p>VERARBEITUNGSSPEZ. 114-74088</p> <p>WEIGHT 0,001 KG</p>	<p>tyco Electronics</p> <p>Tyco / Electronics AMP GmbH D - 53819 Neunkirchen</p> <p>NAME SCHILD BARREL FEMALE HVS-TX.HND.4.BU</p> <p>SIZE A3 CAGE CODE 00779 DRAWING NO. 1103286</p>	<p>RESTRICTED TO NUR FUER</p> <p>SCALE 1:1 SHEET 1 OF 1 REV. A1</p>
CUSTOMER DRAWING / KUNDENZEICHNUNG			