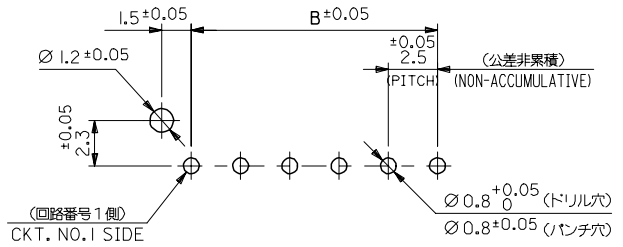
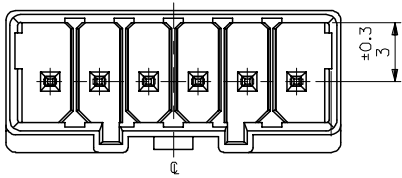


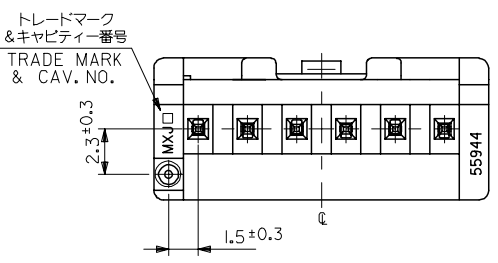
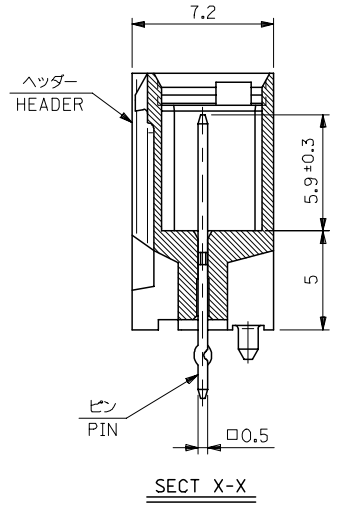
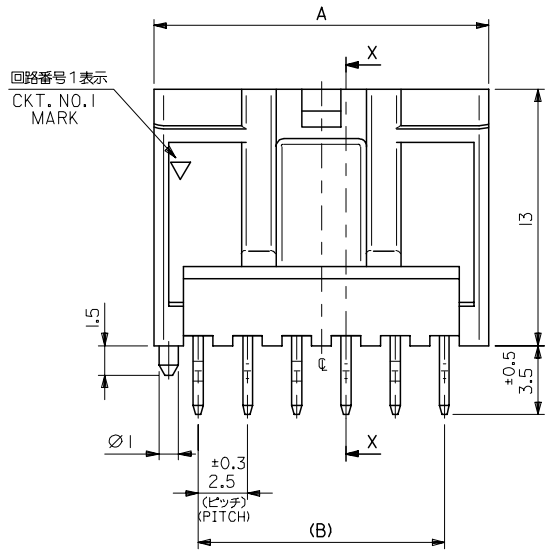
10 9 8 7 6 5 4 3 2 1



基板取付穴推奨寸法 (マウント面)
 RECOMMENDED P.C.BOARD
 HOLE DIMENSION
 (MOUNTING SIDE)
 (t=1.6)

注記
 NOTES

1. 使用材料 MATERIAL
 PIN : 黄銅, 錫メッキ
 PIN : BRASS, TIN PLATED
 ヘッダー : ポリアミド (PA66), ガラス充填, UL94V-0
 HEADER : POLYAMIDE 66 (GLASS FILLED), UL94V-0
2. 嵌合相手 : 51388シリーズ
 MATE WITH : 51388 SERIES



25	29.5	55944-1110	11
20	24.5	-0910	9
17.5	22	-0810	8
15	19.5	-0710	7
12.5	17	-0610	6
10	14.5	-0510	5
7.5	12	-0410	4
5	9.5	-0310	3
2.5	7	55944-0210	2
B	A	MATERIAL NO. COLOR:NATURAL (IVORY) 色 : 自然色 (アイボリー)	CKT

REVISED EC NO: J2007-0181 DRWN:THANYU 2006/07/20 CHK:D.S.MARUYAMA 2006/07/31 APPR:S.CHIKAWA 2006/08/04	GENERAL TOLERANCES (UNLESS SPECIFIED)		DIMENSION STYLE MM ONLY		SCALE ---	DESIGN UNITS METRIC	THIRD ANGLE PROJECTION	
	10 UNDER	± ---	DRAWN BY T. YASUI	DATE 2003/05/01	TITLE 2.5 WIRE TO BOARD CONN HEADER ASSY (STRAIGHT)			
	10 OVER 30 UNDER	± ---	CHECKED BY T. ITO	DATE 2003/05/01	APPROVED BY T. YAMAGU 2003/05/01			
	30 OVER	± ---	MATERIAL NO. 55944-**10		DOCUMENT NO. SD-55944-001		SHEET NO. 1 OF 2	
	ANGULAR	± --- °	MOLEX INCORPORATED					
DRAFT WHERE APPLICABLE MUST REMAIN WITHIN DIMENSIONS		THIS DRAWING CONTAINS INFORMATION THAT IS PROPRIETARY TO MOLEX INCORPORATED AND SHOULD NOT BE USED WITHOUT WRITTEN PERMISSION						

10 9 8 7 6 5 4 3 2 1

F

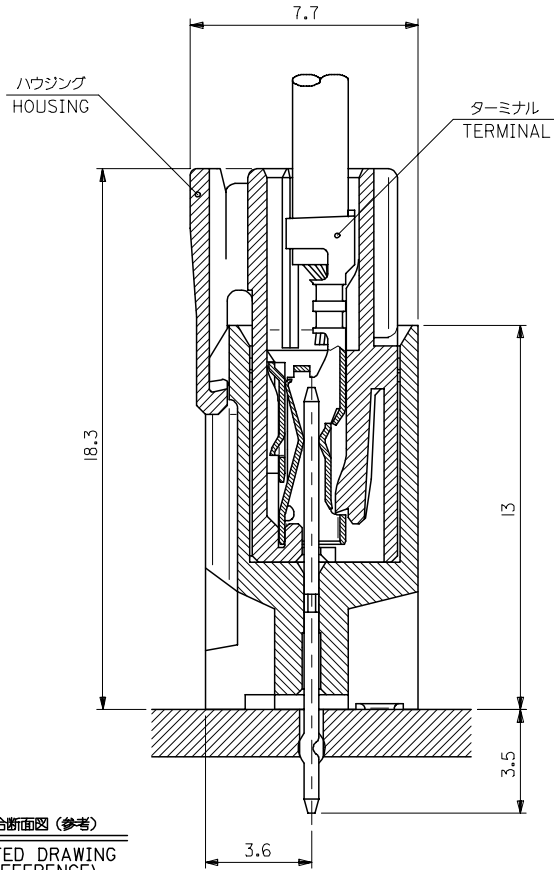
E

D

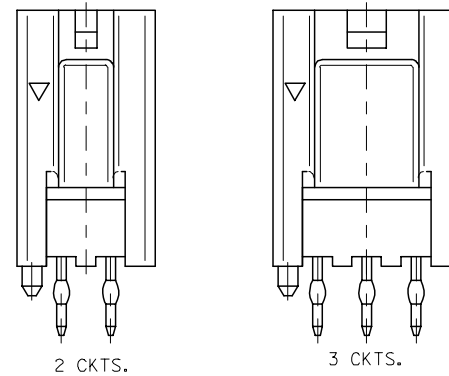
C

B

A



嵌合断面図 (参考)
MATED DRAWING
(REFERENCE)



極小レイアウト図
LAYOUT OF
EACH CKTS.

REVISED EC NO: J2007-0181 DRWN:THANYU 2006/07/20 CHK'D:S.MARUYAMA 2006/07/31 APPR:S.CHIKAWA 2006/08/04	GENERAL TOLERANCES (UNLESS SPECIFIED)		DIMENSION STYLE MM ONLY		SCALE ---	DESIGN UNITS METRIC	THIRD ANGLE PROJECTION		
	10 UNDER	± ---	DRAWN BY T. YASUI		DATE 2003/05/01		TITLE 2.5 WIRE TO BOARD CONN HEADER ASSY (STRAIGHT)		
	10 OVER 30 UNDER	± ---	CHECKED BY T. ITO		DATE 2003/05/01				
	30 OVER	± ---	APPROVED BY T. YAMAGU		DATE 2003/05/01		MOLEX INCORPORATED		
	ANGULAR	± --- °	MATERIAL NO. 55944-**10		DOCUMENT NO. SD-55944-001				
DRAFT WHERE APPLICABLE MUST REMAIN WITHIN DIMENSIONS		SIZE A3		THIS DRAWING CONTAINS INFORMATION THAT IS PROPRIETARY TO MOLEX INCORPORATED AND SHOULD NOT BE USED WITHOUT WRITTEN PERMISSION					

9

8

7

6

5

4

3

2